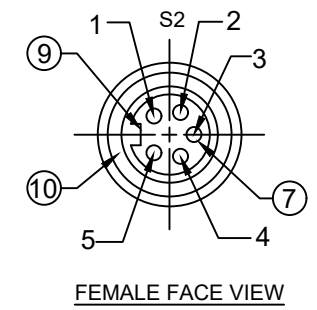
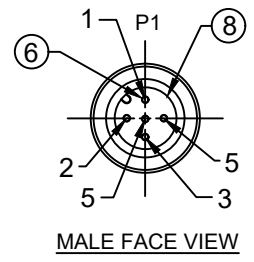
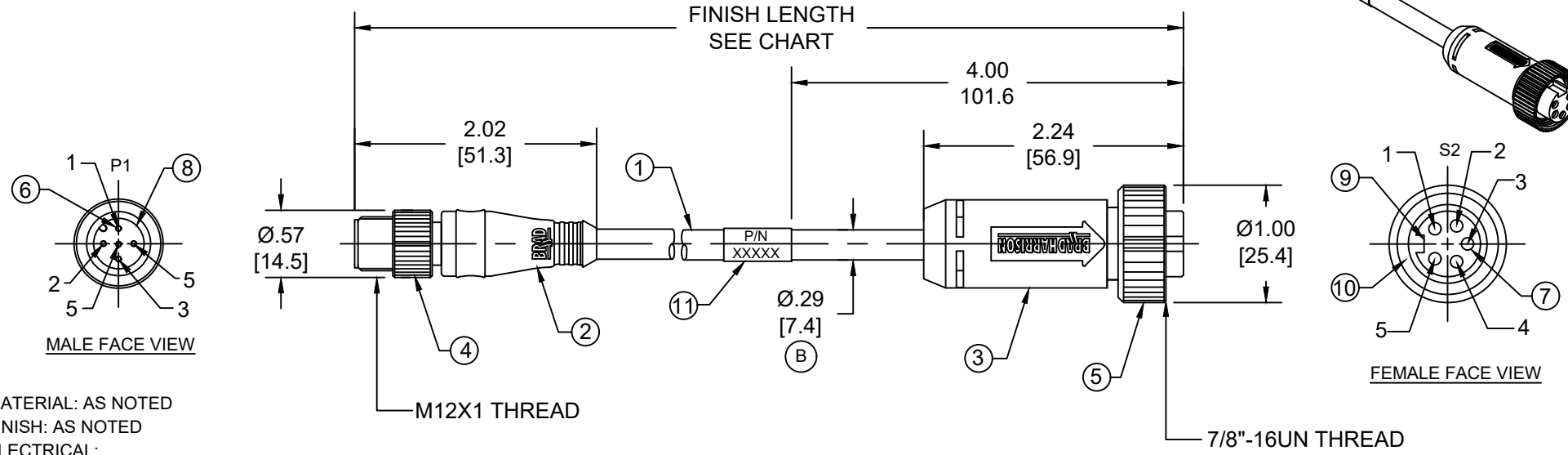
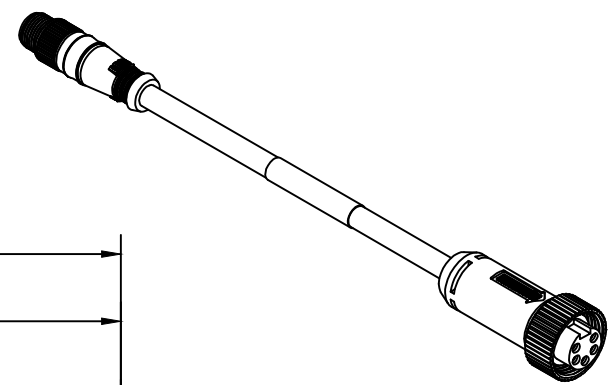


| SAP P/N #  | ENGINEERING P/N | FINISHED LENGTH   |
|------------|-----------------|-------------------|
| 1300390144 | DND12A-M005     | 0.5M [ 1FT 8 IN ] |
| 1300390147 | DND12A-M030     | 3M [ 9FT 10 IN ]  |
| 1300390150 | DND12A-M060     | 6M [ 19FT 8 IN ]  |



NOTES:

- MATERIAL: AS NOTED
- FINISH: AS NOTED
- ELECTRICAL:  
VOLTAGE: 250V  
CURRENT: 4A
- TEMP RATING: -20°C TO +80°C
- PROTECTION: IP67 (WHEN MATED)
- UL LISTED FILE: E152210  
CSA CERTIFIED FILE: LR6837
- ALL DIMENSIONS ARE FOR REFERENCE UNLESS TOLERANCED OR NOTED OTHERWISE

**PART NUMBER LEGEND**  
**DND12A-M005**  
 LENGTH:  
 M005= 0.5 METER  
 M010= 1 METER  
 M100= 10 METER

| P1 |       | S2 |  |
|----|-------|----|--|
| 1  | DRAIN | 1  |  |
| 2  | RED   | 2  |  |
| 3  | BLACK | 3  |  |
| 4  | WHITE | 4  |  |
| 5  | BLUE  | 5  |  |

**CABLE LENGTH TOLERANCES**

|                         |                         |
|-------------------------|-------------------------|
| <.3M [1FT]              | +19mm-0 [ +.75in-0]     |
| .3 - .9M [1 - 3FT]      | +44.5mm-0 [+1.75in-0]   |
| .9 - 1.8M [3 - 6FT]     | +55.6mm-0 [+2.19in-0]   |
| 1.8 - 3.7M [6 - 12FT]   | +88.9mm-0 [+3.50in-0]   |
| 3.7 - 7.3M [12 - 24FT]  | +165.1mm-0 [+6.50in-0]  |
| 7.3-14.6M [24 - 48FT]   | +317.5mm-0 [+12.50in-0] |
| 14.6 - 30.5M [48-100FT] | +622.3mm-0 [+24.50in-0] |
| OVER 30M [100FT]        | +2% OF FINISHED LENGTH  |

| 11   | WRAP LABEL           | VINYL         | BLACK/YELLOW     |
|------|----------------------|---------------|------------------|
| 10   | FRICTION RING        | NYLON         | WHITE            |
| 9    | FEMALE INSERT(MINI)  | TPE           | BLACK            |
| 8    | MALE INSERT(MICRO)   | NYLON         | BLACK            |
| 7    | SOCKET CONTACT       | COPPER ALLOY  | GOLD OVER NICKEL |
| 6    | PIN CONTACT          | COPPER ALLOY  | GOLD OVER NICKEL |
| 5    | COUPLING NUT(MINI)   | ZINC DIE-CAST | BLACK E-COAT     |
| 4    | COUPLING NUT(MICRO)  | ZINC DIE-CAST | BLACK E-COAT     |
| 3    | OVERMOLD(MINI)       | TPC           | GRAY             |
| 2    | OVERMOLD(MICRO)      | TPC           | GRAY             |
| 1    | DEVICENET DROP CABLE | PVC JACKET    | GRAY             |
| ITEM | COMPONENT            | MATERIAL      | FINISH           |

**WIRING DIAGRAM**

THIS DRAWING CONTAINS INFORMATION THAT IS PROPRIETARY TO MOLEX ELECTRONIC TECHNOLOGIES, LLC AND SHOULD NOT BE USED WITHOUT WRITTEN PERMISSION

| FUNCTIONAL SYMBOLS                                   | DIMENSION UNITS                       |       | SCALE |                        | CURRENT REV DESC: ITEM-2, 3 & 9 WERE PVC. ADDED ITEM-10, TOL CHART, UL, CSA, CABLE DIA AND PN LEGEND. MODIFIED PN CHART   |
|--|---------------------------------------|-------|-------|------------------------|---|
|  | INCH                                  | MM    | NTS   |                        |   |
|  | GENERAL TOLERANCES (UNLESS SPECIFIED) |       |       |                        | EC NO: 720800<br>DRWN: ABENJAMINLW 2022/07/21<br>CHK'D: RSTONE 2022/09/09<br>APPR: BWOODMAN 2022/09/09<br>INITIAL REVISION:<br>DRWN: TWOLDEGE 2010/01/11<br>APPR: JFMURPHY 2010/01/20 |
|  |                                       | mm    | INCH  |                        |   |
|  | 4 PLACES                              | ±---- | ±---- |                        |   |
|  | 3 PLACES                              | ±---- | ±---- |                        |   |
|  | 2 PLACES                              | ±---- | ±---- |                        |   |
| 1 PLACE  | ±----                                 | ±---- |       |                        |   |
| 0 PLACES   | ±----                                 | ±---- |       |                        |   |
| ANGULAR TOL ± ---- °                                 |                                       |       |       |                        |   |
| DRAFT WHERE APPLICABLE MUST REMAIN WITHIN DIMENSIONS |                                       |       |       | THIRD ANGLE PROJECTION | DRAWING   |
|  |                                       |       |       | A-SIZE                 | SERIES  |
|  |                                       |       |       | 130039                 | MATERIAL NUMBER   |
|  |                                       |       |       | SEE CHART              | CUSTOMER  |
|  |                                       |       |       | GENERAL MARKET         | SHEET NUMBER  |
|  |                                       |       |       |                        | 1 OF 1  |

**MOLEX**

MICRO-MINI CHANGE DEVICENET, M12-A-SIZE,  
5 POLE, MALE-FEMALE, STRAIGHT, SINGLE KEY,  
#22/4 AWG

PRODUCT CUSTOMER DRAWING

DOCUMENT NUMBER: **SD-130039-018**    DOC TYPE: PSD    DOC PART: 001    REVISION: B