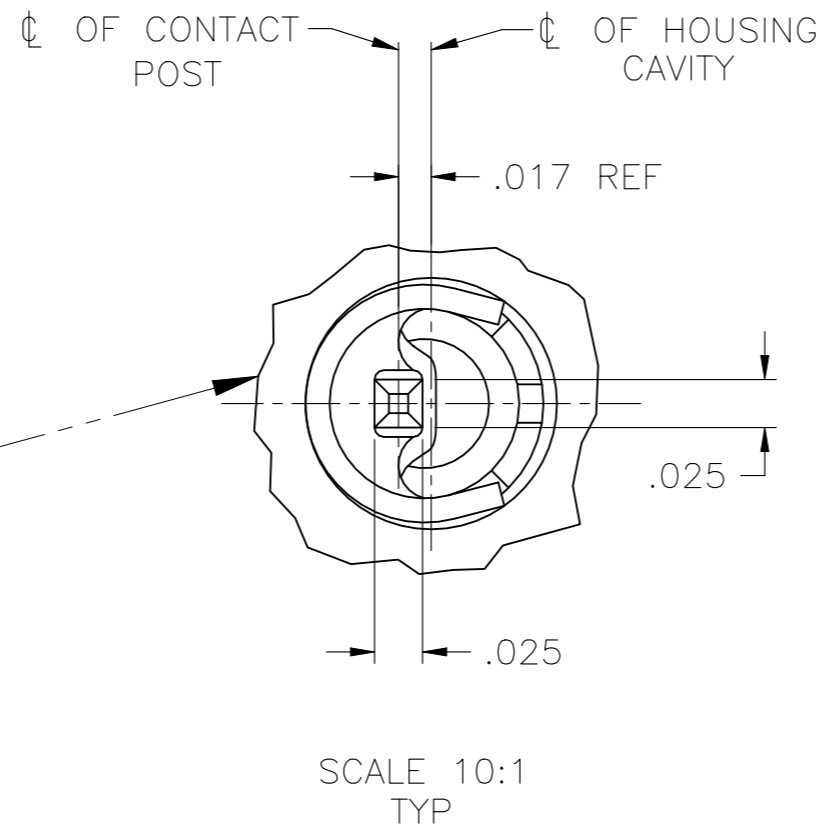
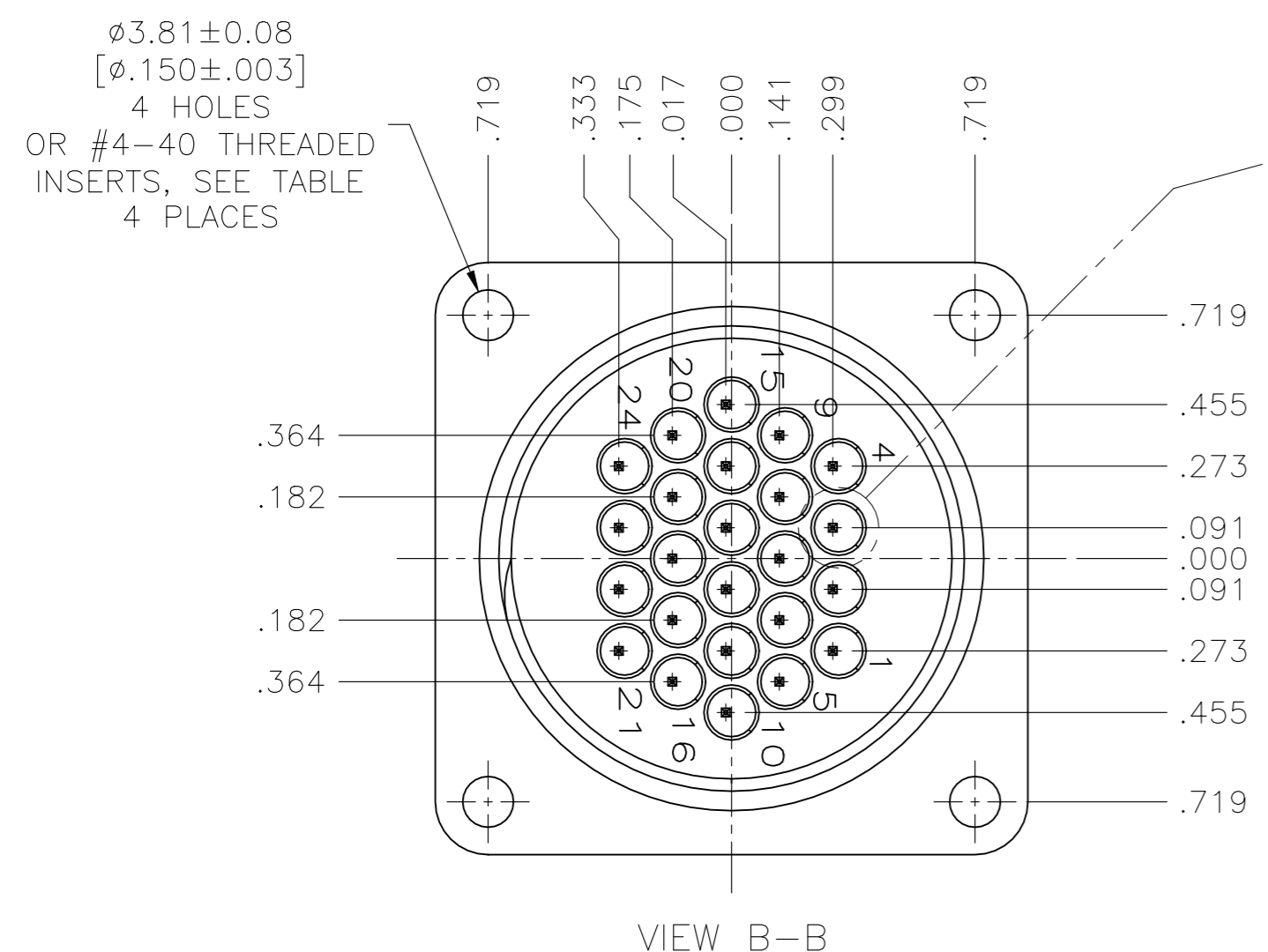
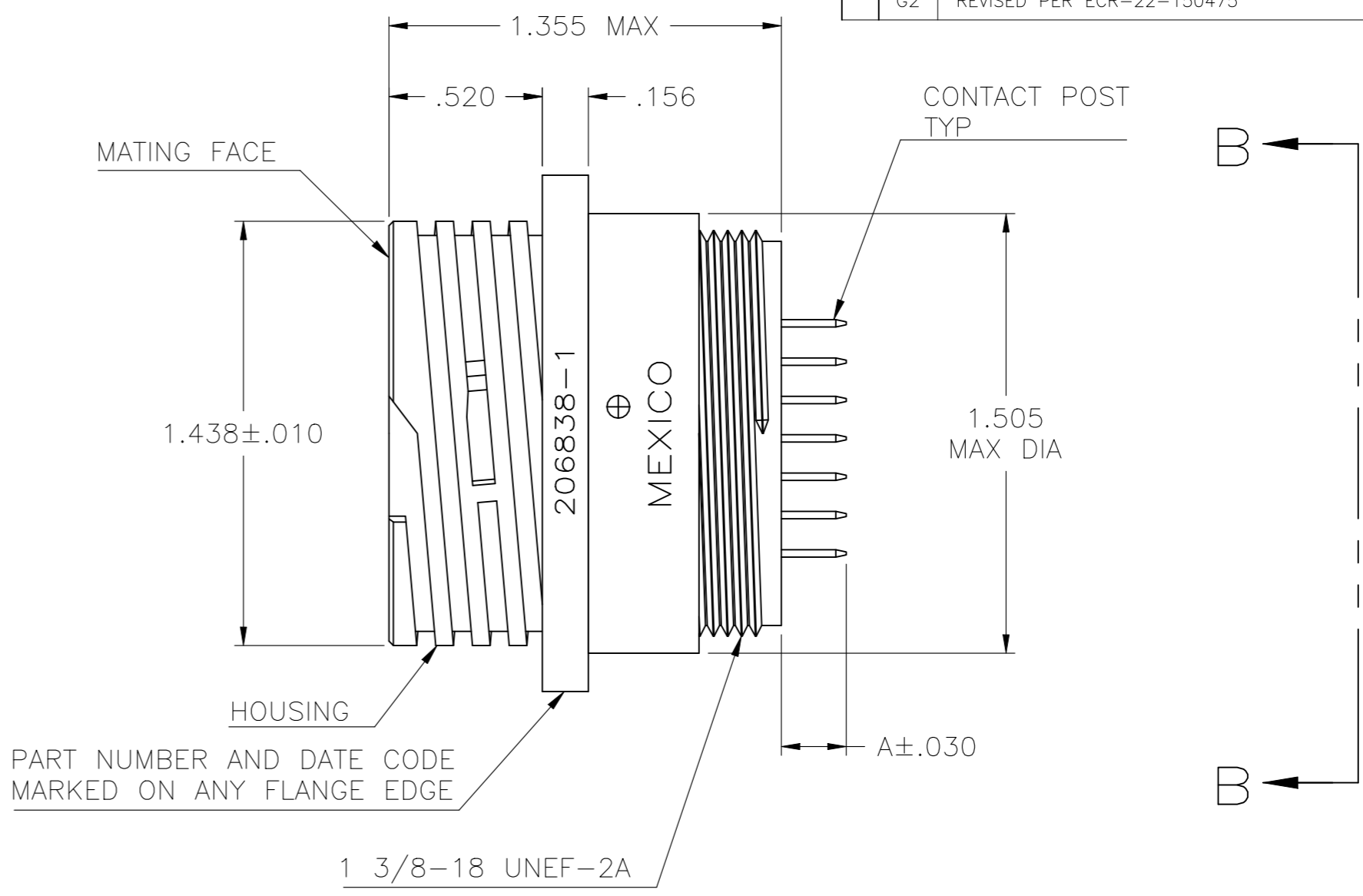
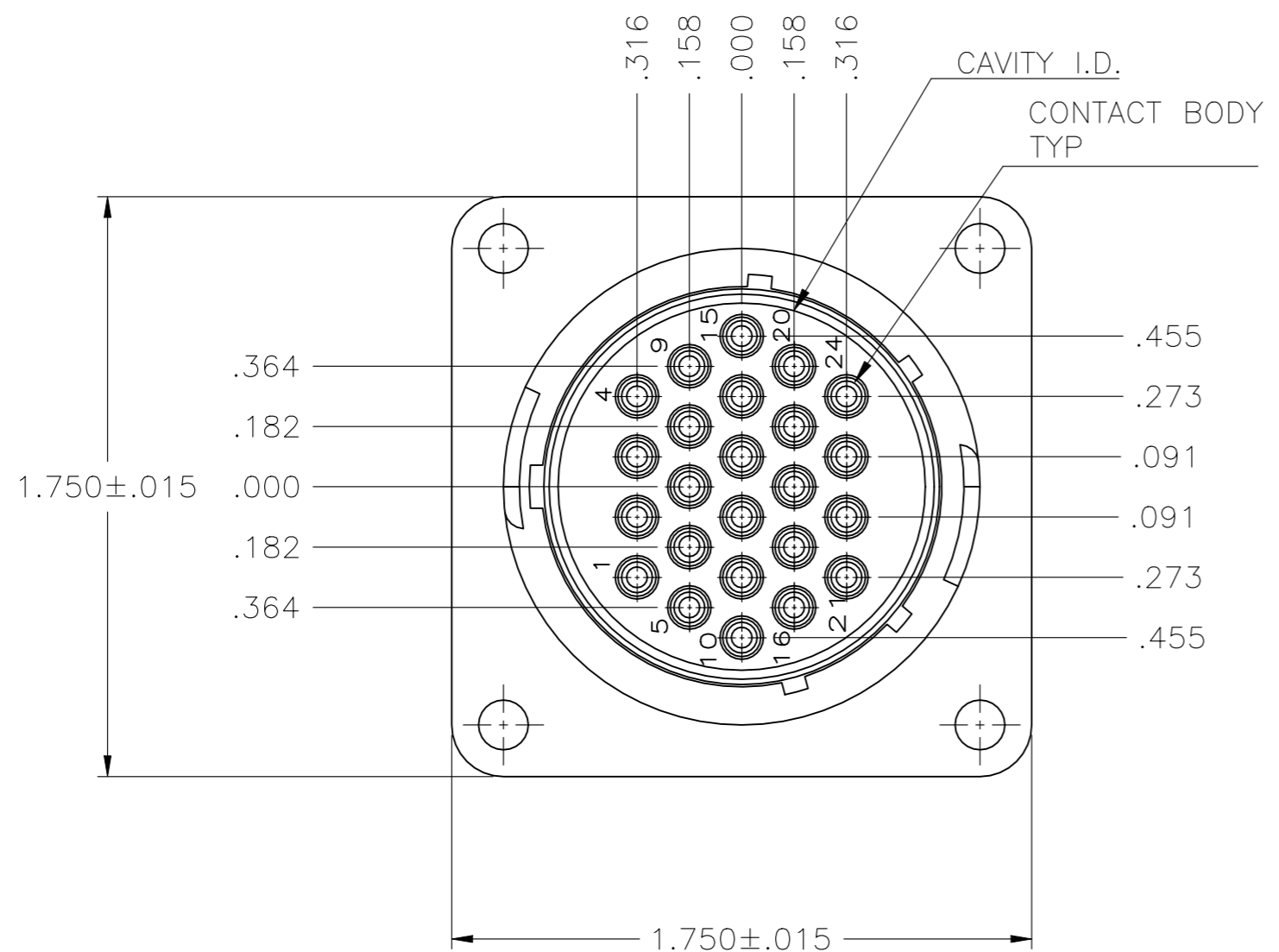


THIS DRAWING IS UNPUBLISHED. RELEASED FOR PUBLICATION
 © COPYRIGHT - By - ALL RIGHTS RESERVED.

REVISIONS				
P	LTR	DESCRIPTION	DATE	APVD
G2		REVISED PER ECR-22-150475	26AUG2022	RK MZ



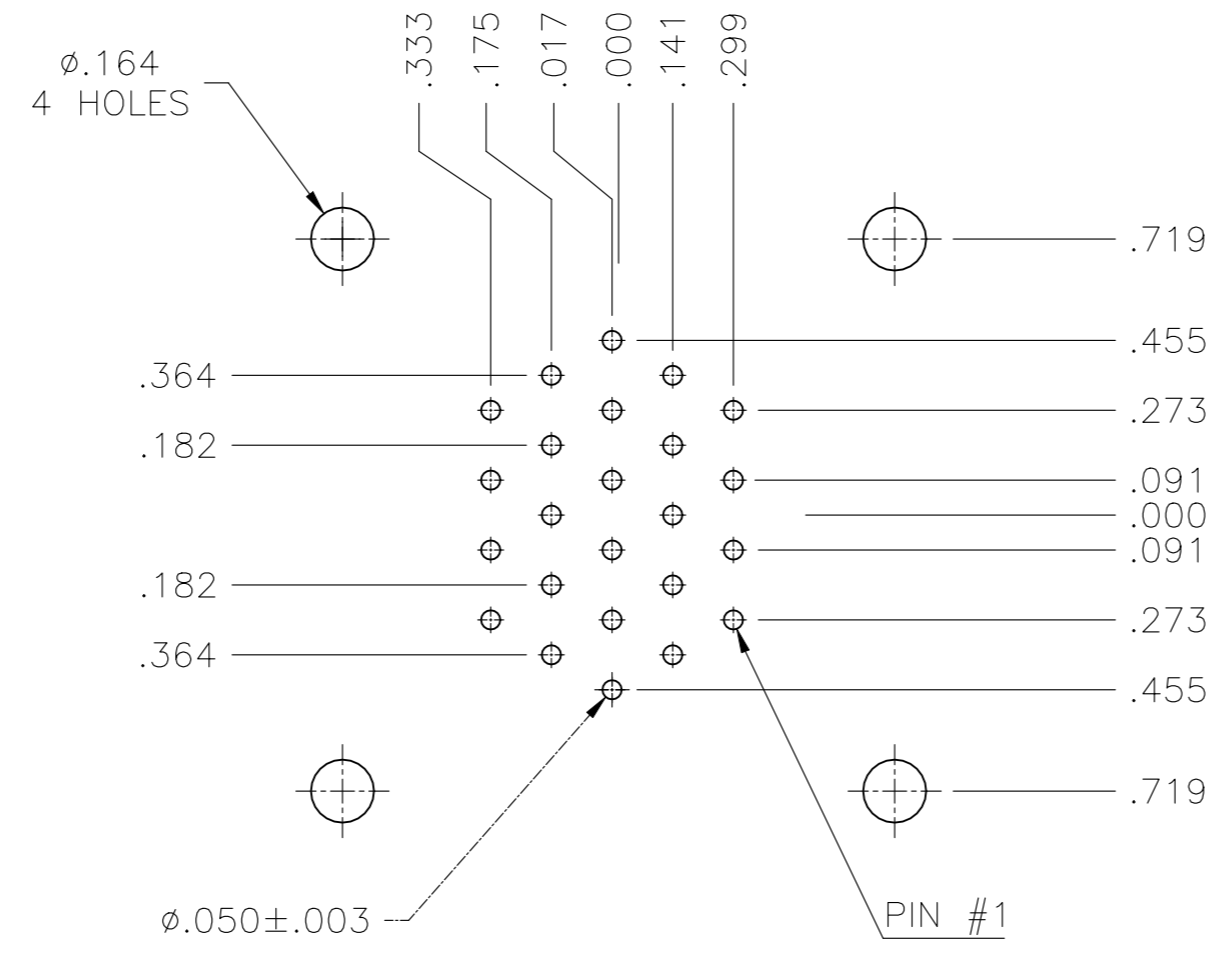
- 1 MATERIALS:
 HOUSING: UL 94V-0, BLACK
 CONTACT SPRING: STAINLESS STEEL
 CONTACT BODY AND POST: BRASS
 4-40 THREADED INSERT: BRASS
- 2 CONTACT BODY: .000030 MIN GOLD FOR A LENGTH OF .200 MIN FROM MATING END. GOLD FLASH ON CONTACT
- 3 CONTACT POST: .000100 MIN TIN-LEAD OVER .000050 MIN NICKEL.
- 4 CONTACT POST: .000100 MIN TIN OVER .000050 MIN NICKEL.
- 5 RECOMMENDED PC BOARD HOLE SIZE FOR CONTACT POST = .050±.003 DIA.

DIM A	THREADED INSERTS	POST FINISH	PART NUMBER
.220	YES	4	213780-6
.267	YES	4	213780-5
OBSOLETE .130	YES	4	213780-4
OBSOLETE .220	YES	3	213780-3
.220	NO	4	213780-2
OBSOLETE .220	NO	3	213780-1

THIS DRAWING IS A CONTROLLED DOCUMENT.		DWN W.LENKER 08/20/93	TE TE Connectivity	
DIMENSIONS: INCHES		CHK R.STONE 08/24/93		
TOLERANCES UNLESS OTHERWISE SPECIFIED:		APVD -	NAME	
0 PLC ± -	1 PLC ± -	PRODUCT SPEC 108-10024	RECEPTACLE ASSEMBLY, POSTED, STD SEX, SERIES 1, 23-24, CPC	
2 PLC ± .005	3 PLC ± -	APPLICATION SPEC 114-10038	SIZE A2	CAGE CODE 00779
4 PLC ± -	ANGLES ± -	WEIGHT -	DRAWING NO C=213780	RESTRICTED TO -
MATERIAL FINISH		CUSTOMER DRAWING		SCALE 2:1 SHEET 1 of 2 REV G2

THIS DRAWING IS UNPUBLISHED. RELEASED FOR PUBLICATION
 © COPYRIGHT - By - ALL RIGHTS RESERVED.

REVISIONS					
P	LTR	DESCRIPTION	DATE	DWN	APVD
-	-	SEE SHEET 1	-	-	-



RECOMMENDED P.C. BOARD LAYOUT
 BOTTOM SIDE

THIS DRAWING IS A CONTROLLED DOCUMENT.		DWN W.LENKER 08/20/93	TE Connectivity				
DIMENSIONS: INCHES		CHK R.STONE 08/24/93				NAME RECEPTACLE ASSEMBLY, POSTED, STD SEX, SERIES 1, 23-24, CPC	
		APVD -	PRODUCT SPEC 108-10024	SIZE A2	CAGE CODE 00779	DRAWING NO C=213780	RESTRICTED TO -
TOLERANCES UNLESS OTHERWISE SPECIFIED:		APPLICATION SPEC 114-10038		SCALE 2:1	SHEET 2 OF 2	REV G2	
MATERIAL 		FINISH -		CUSTOMER DRAWING			