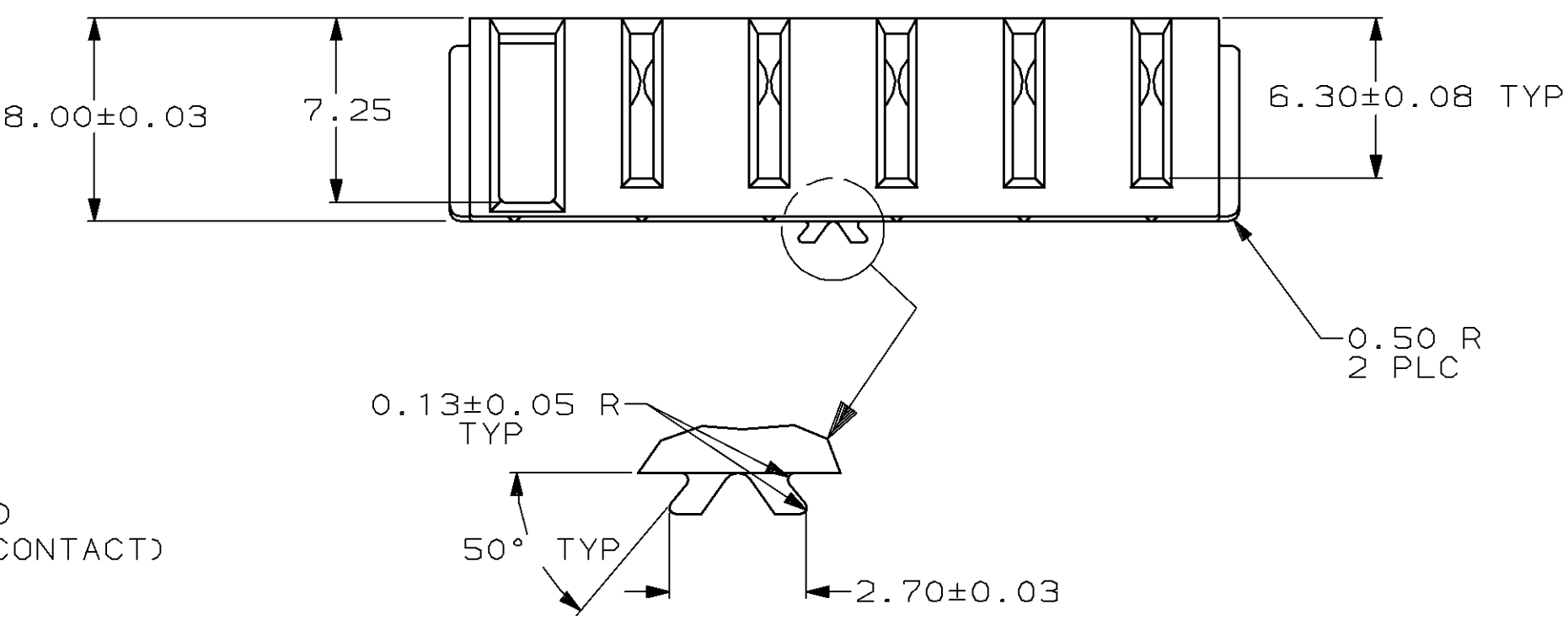
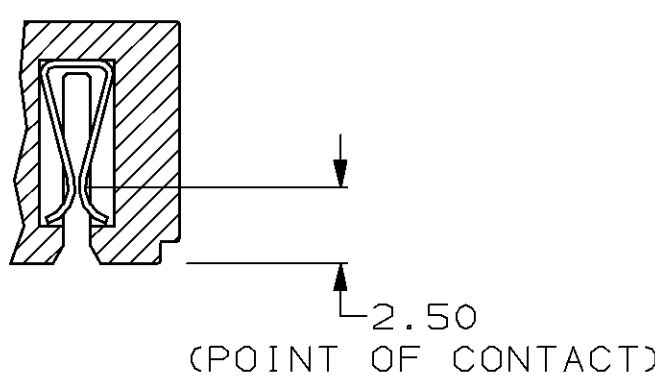
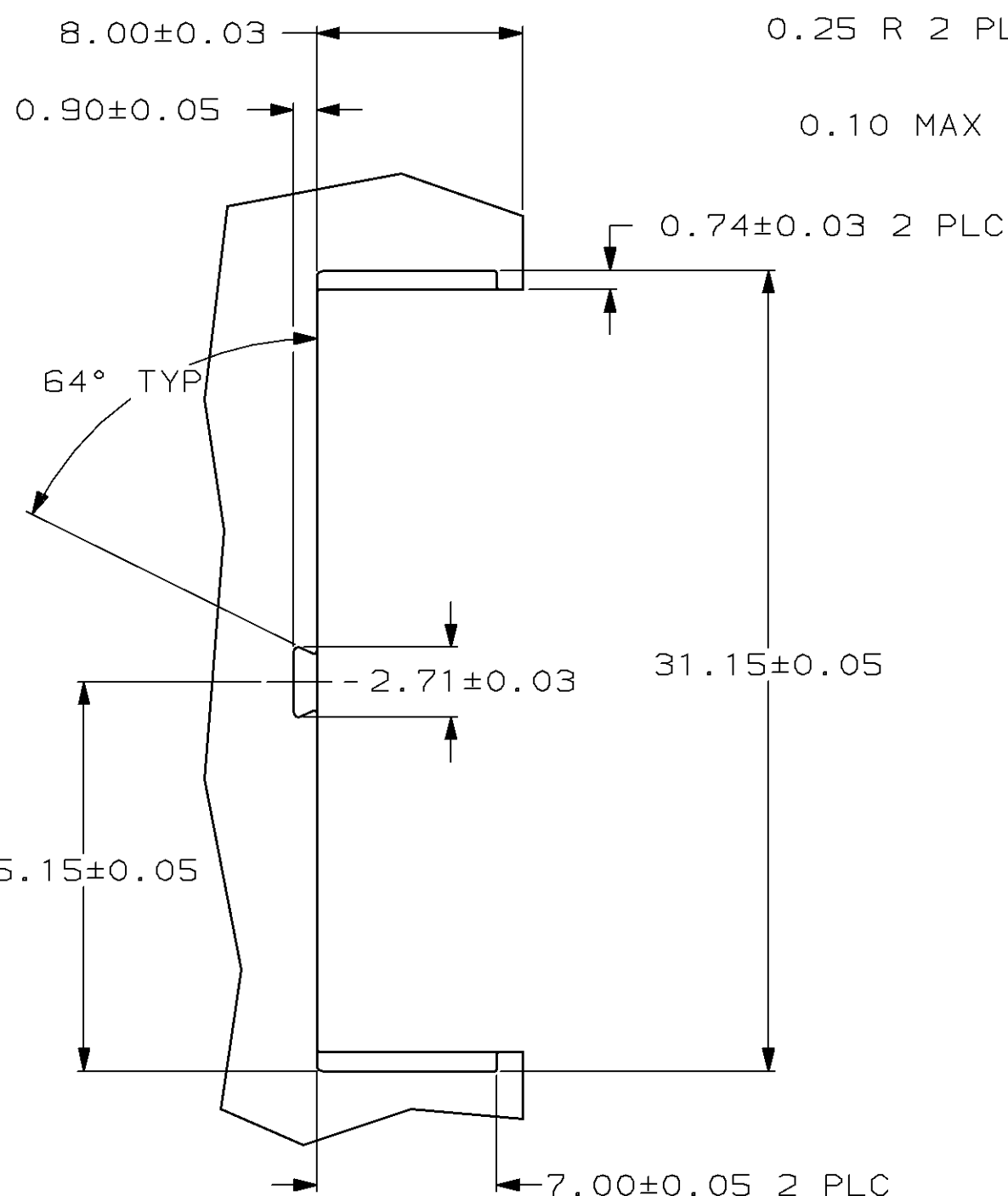
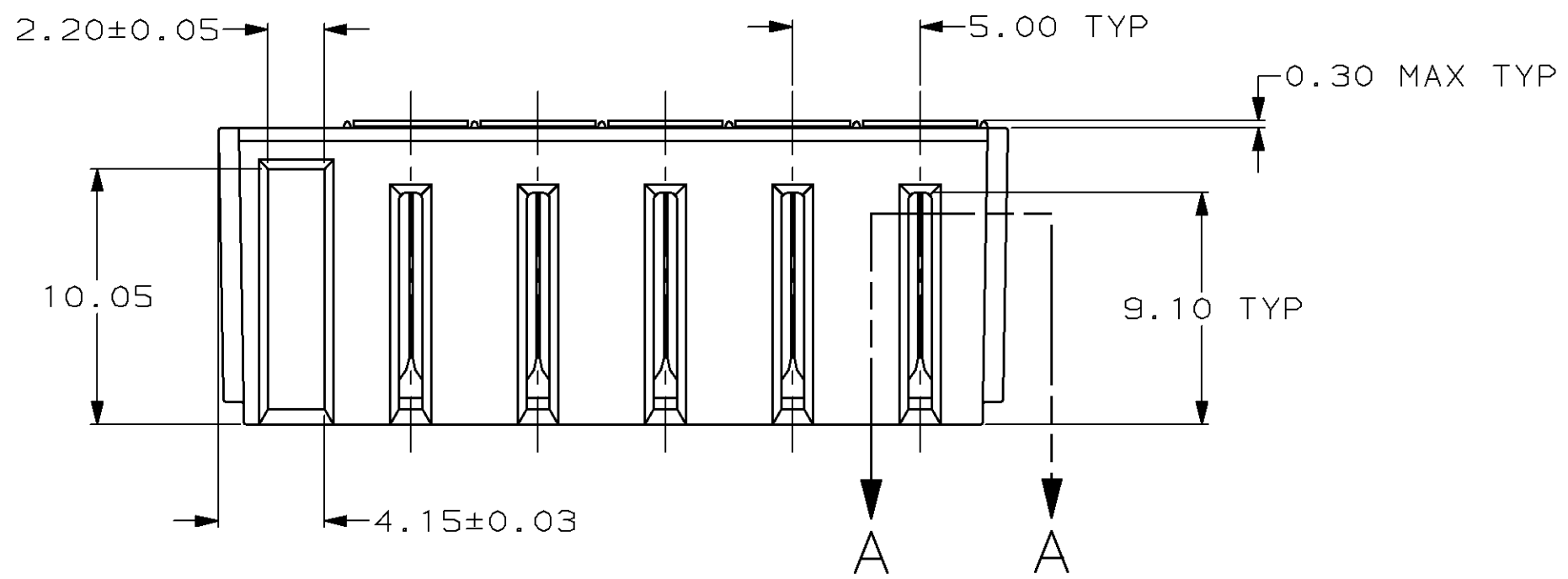
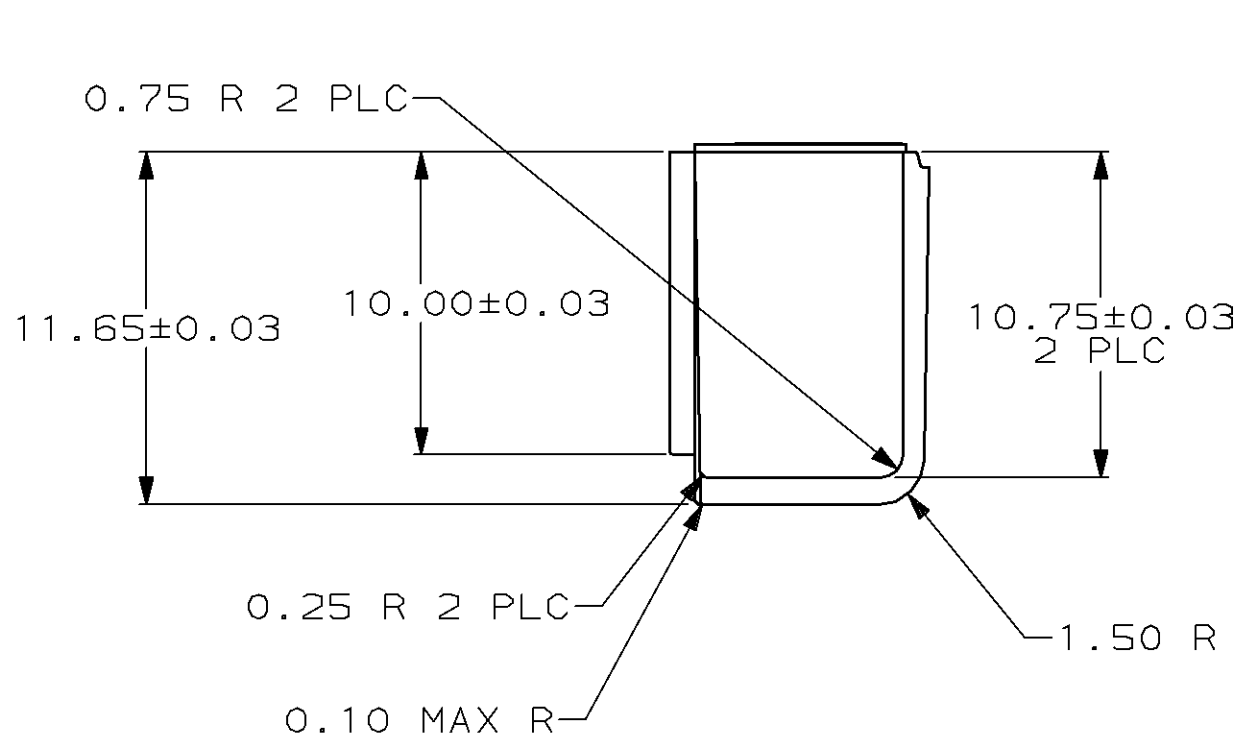
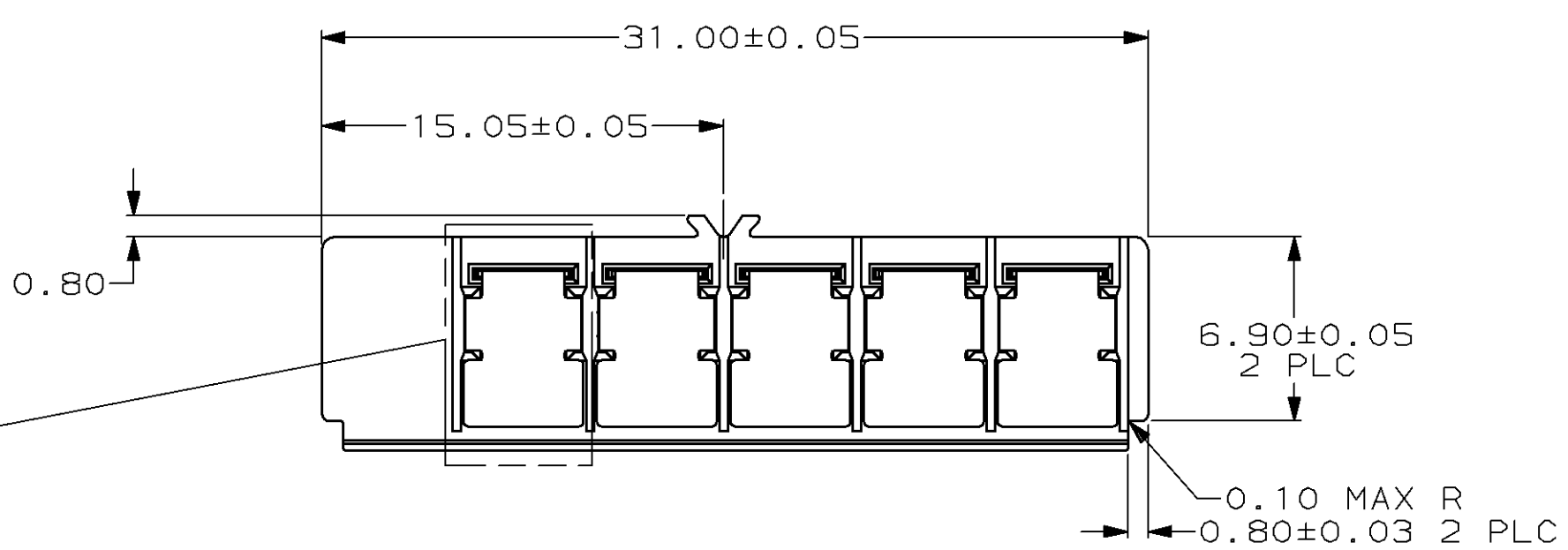
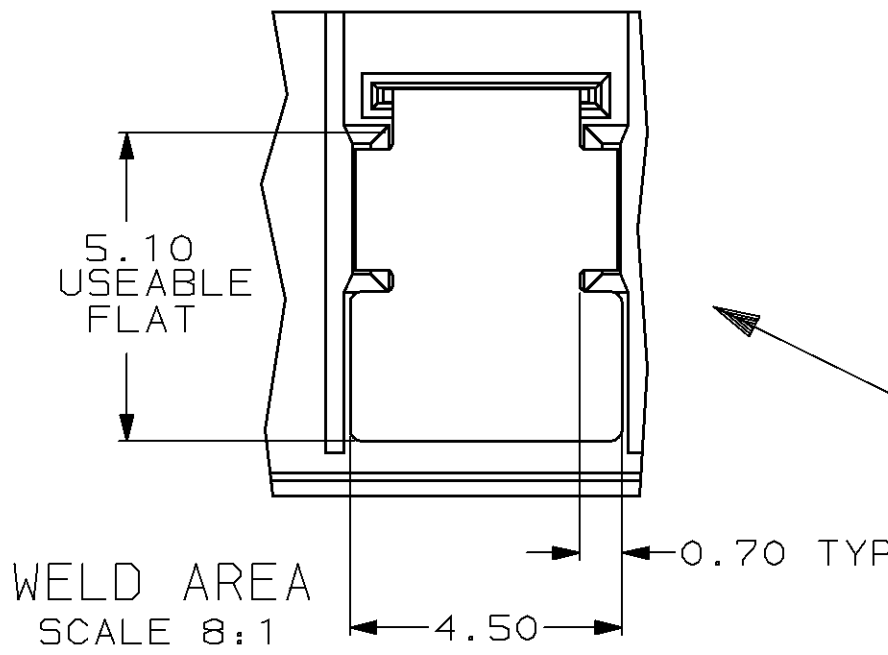


LOC		DIST		ZONE		LTR		REVISIONS		DATE	APPD
BD	39							0	RLSE -1 PER NPR 5235, WAS 93-1878-145-1	11/15/94	SK



SECTION A-A

787328-1
PART NO

DO NOT SCALE PRINT. UNLESS SPECIFIED DIMENSIONS IN mm TOLERANCES ON : 2 PLC DEC ±0.10 3 PLC DEC ± - ANGLES ± 2°	DR 12-08-93 G.DOUTY	AMP AMP Incorporated Harrisburg, PA 17105-3608	
	CHK 11-16-94 R.S.KLINE		
MATERIAL HOUSING: POLYCARBONATE COLOR: BLACK CONTACTS: COPPER ALLOY	APPD 11-16-94 R.S.KLINE	NAME INSERT ASSEMBLY, 5 POSITION, SINGLE KEY, DOVETAIL LOCATOR, 5mm ϕ , 7.2 VOLT, BATTERY INTERCONNECT	
FINISH CONTACTS: PRE-NICKEL	APPD 11-16-94 R.S.KLINE	SIZE C 00779	DRAWING NO C=787328
	PRODUCT SPEC -	SCALE 4:1	SHEET 1 OF 1
	APPLICATION SPEC -		
	WEIGHT -		

THIS DRAWING IS A CONTROLLED DOCUMENT FOR AMP INCORPORATED. IT IS SUBJECT TO CHANGE AND THE CONTROLLING ENGINEERING ORGANIZATION SHOULD BE CONTACTED FOR THE LATEST REVISION.

CUSTOMER DRAWING