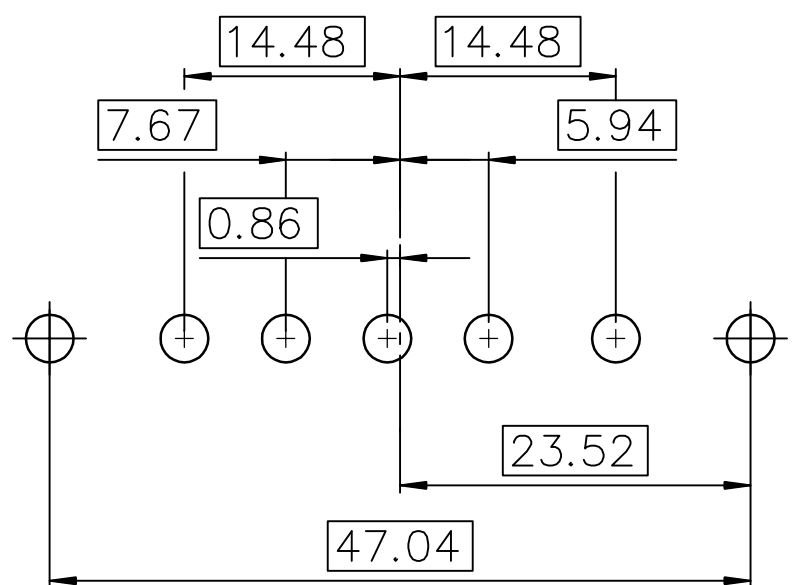


DETAIL OF PRESS FIT
scale: 3

LAYOUT DIMENSIONS (after plating)
CONNECTOR SIDE VIEW



LEAD FREE PART NUMBER

DBV5W5P80C5M40LF	UNC 4.40
DBV5W5P80C6M40LF	UNC 4.40
PART NUMBER	Threaded A

GENERAL CHARACTERISTICS : SEE DRAWING C01-8639-0002

mat'l. code		surface ISO 1302 ✓		tolerance ISO 406 ISO 1101		projection mm		product family D-SUB		
ltr	ecn no	dr	date	tolerances unless otherwise specified		mm		title		
F	ELX-I-32759	GM	2019-02-23	angles	linear	scale NTS		MALE 5W5 CONNECTOR Right Angle power pressfit		
				0°±2°				dwg no sheet 1 of 1 size		
				dr	JOUBERT	2000/05/29	Amphenol FCI		C01-8639-1730 A3	
				enr	GREGAR M	2019-02-23				
				chr	MITHUN PAUL	2019-02-23				
				appd	BKP	2019-02-23			type Product Customer Drawing	
sheet index	revision sheet	F	1							