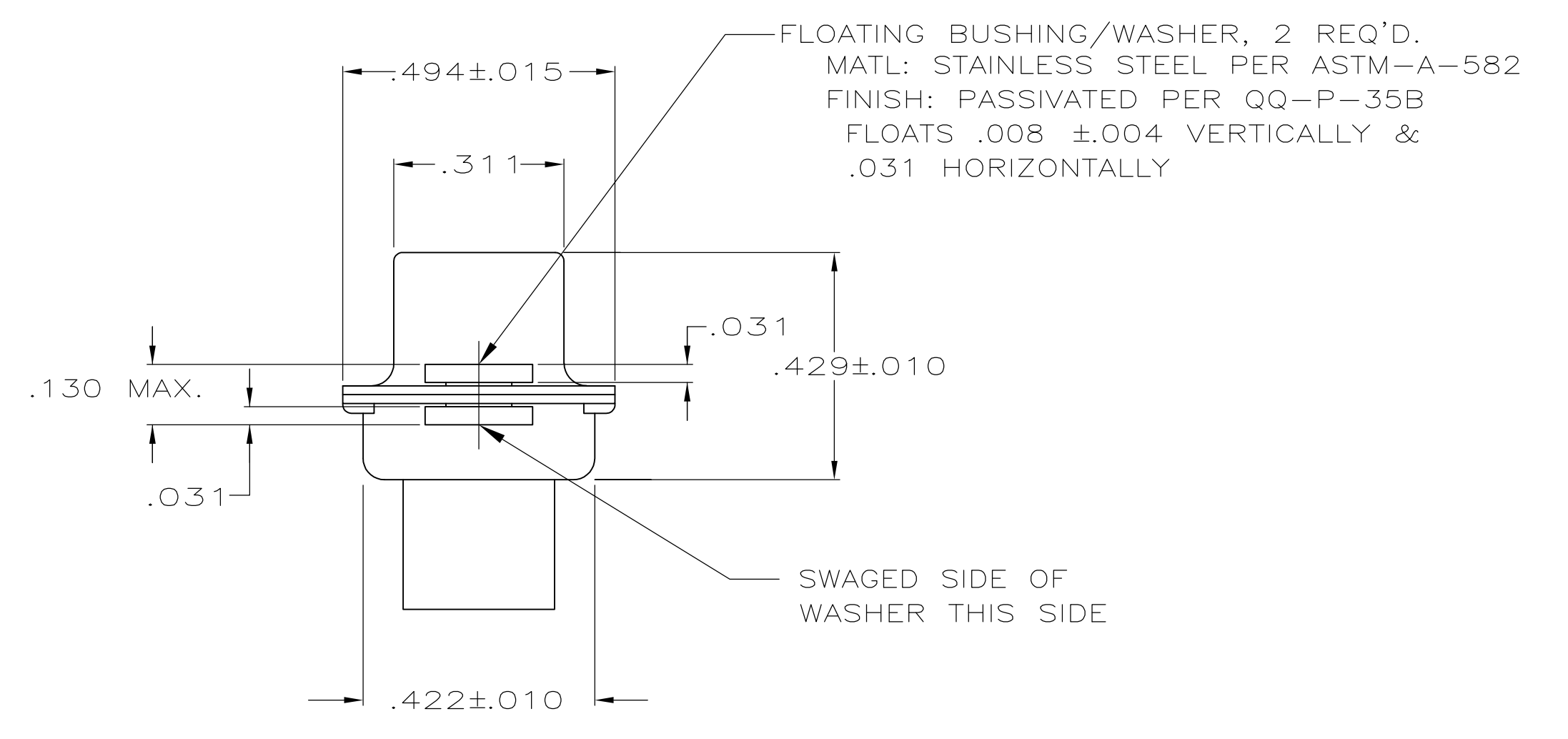
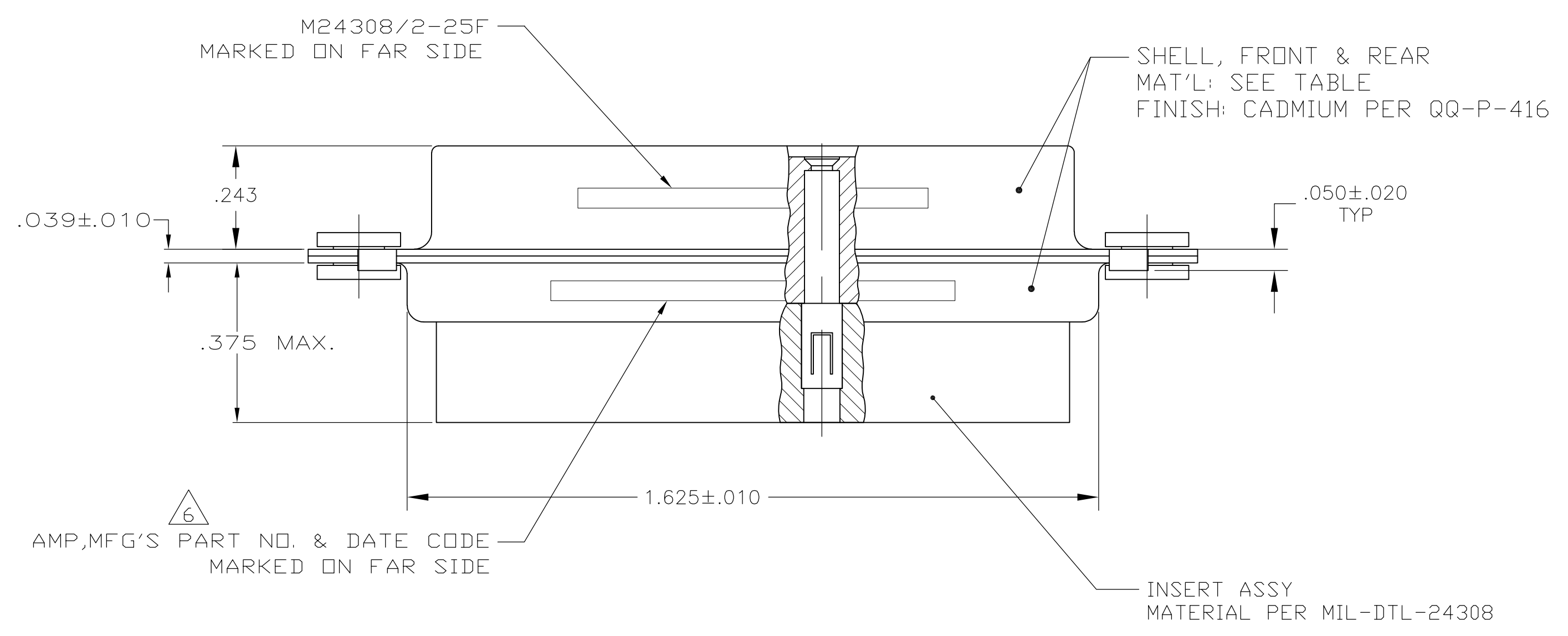
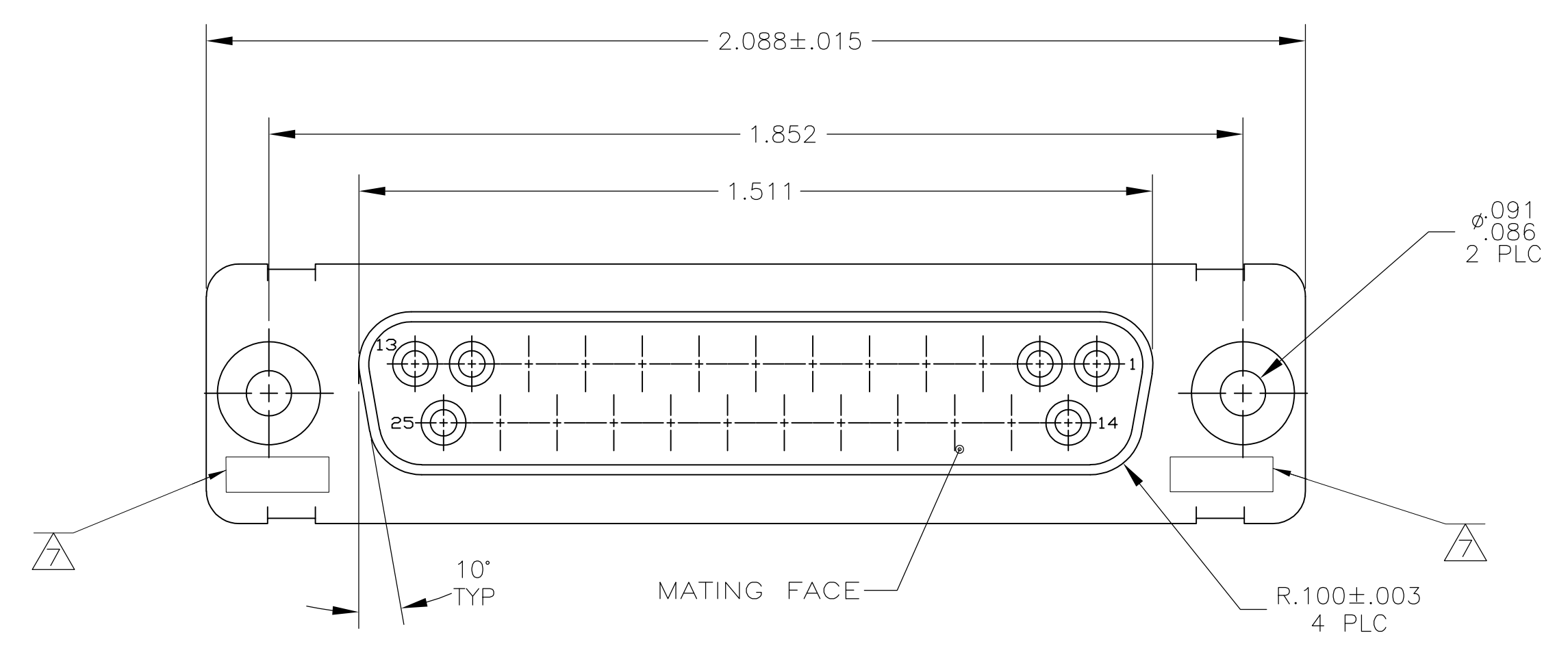


LOC		DIST		REVISIONS			
P	LTR	DESCRIPTION	DATE	DN	APVD		
P		REV PER ECO-15-016062	10NOV15	KG	CD		



- THIS RCPT. IS DESIGNED TO CONFORM TO THE LATEST ISSUE OF MIL-C-24308
  - MAX WIRE INSUL TO BE USED WITH THIS RCPT IS .068 DIA
  - STAINLESS STEEL RETENTION CLIPS ARE INCLUDED IN INSERTS
  - PACKAGE STAMPED M24308/2-294F
  - THIS RCPT. WILL ACCEPT SIZE 20 SOCKET CONTACT M24308/10 DR TE # 205090
- MFG'S PART NO. STAMPED ON CONNECTOR REPRESENTS KIT NUMBER WITH CONTACTS  
 UL/CSA DESIGNATION STAMPED IN THIS AREA.

OBSOLETE	BRASS	205418-2
	STEEL PER ASTM-A-109	205418-1
	SHELL MATERIAL	PART NO.

THIS DRAWING IS A CONTROLLED DOCUMENT.

DIMENSIONS: INCHES	TOLERANCES UNLESS OTHERWISE SPECIFIED:	DIN C.C.THOMAS 6-4-09	APVD RELEASE 6-4-09	NAME
	0 PLC ± - 1 PLC ± - 2 PLC ± - 3 PLC ± .005 4 PLC ± - ANGLES ± # 0'30"	APVD RELEASE 6-4-09	NAME	RCPT. ASSY. AMPLIMITE, 25 POSN., SIZE 3, SERIES 109.W/DUAL FLOATING BUSHINGS
MATERIAL SEE CALLOUTS	FINISH SEE CALLOUTS	WEIGHT	SIZE CAGE CODE DRAWING NO	RESTRICTED TO
			A1 00779 C=205418	
CUSTOMER DRAWING		SCALE 4:1	SHEET 1 OF 1	REV P

TE Connectivity