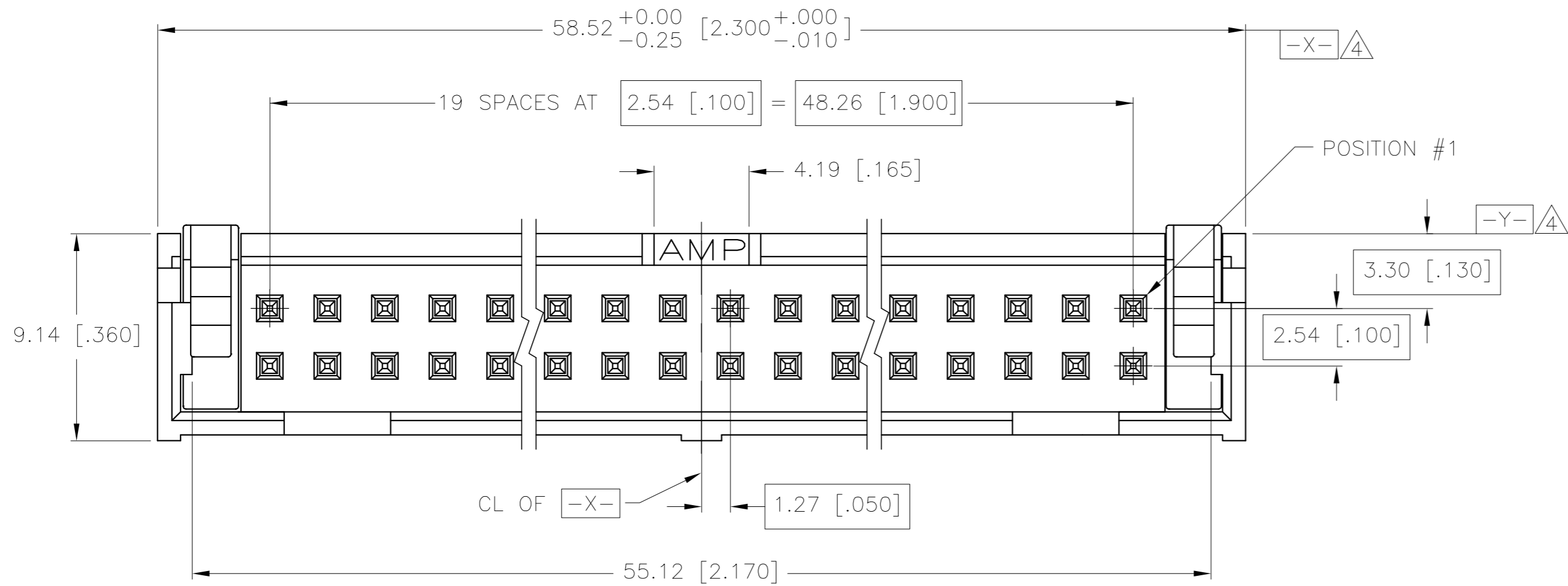
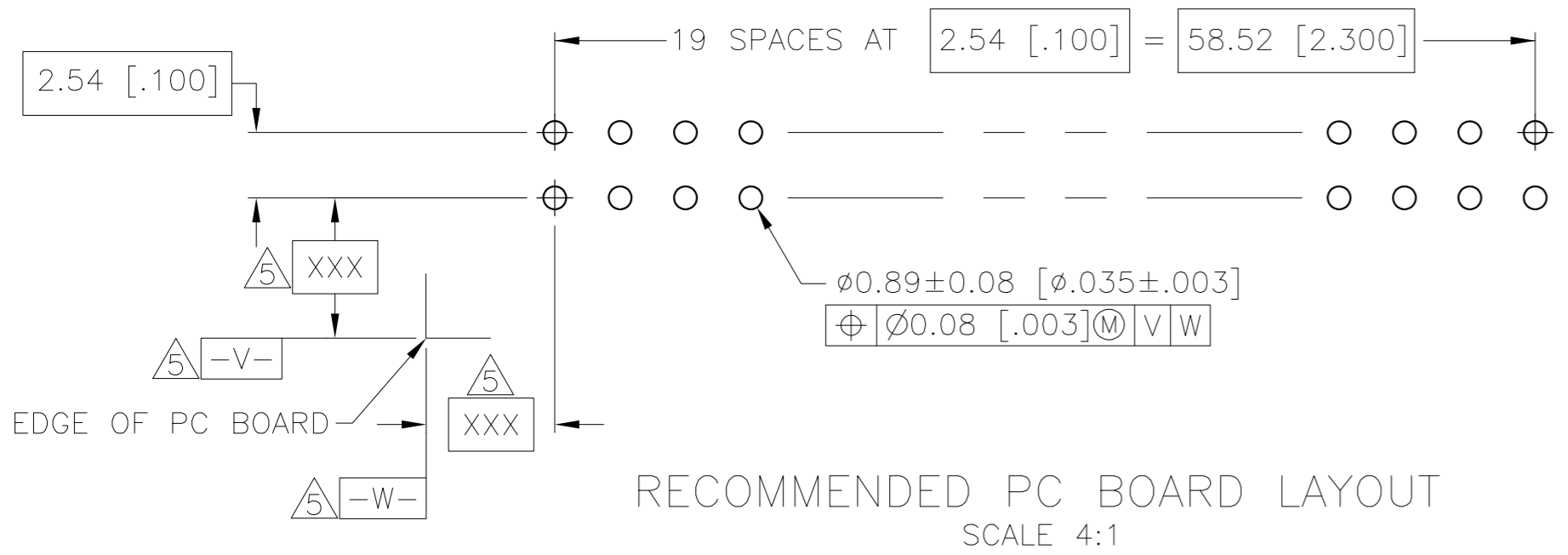
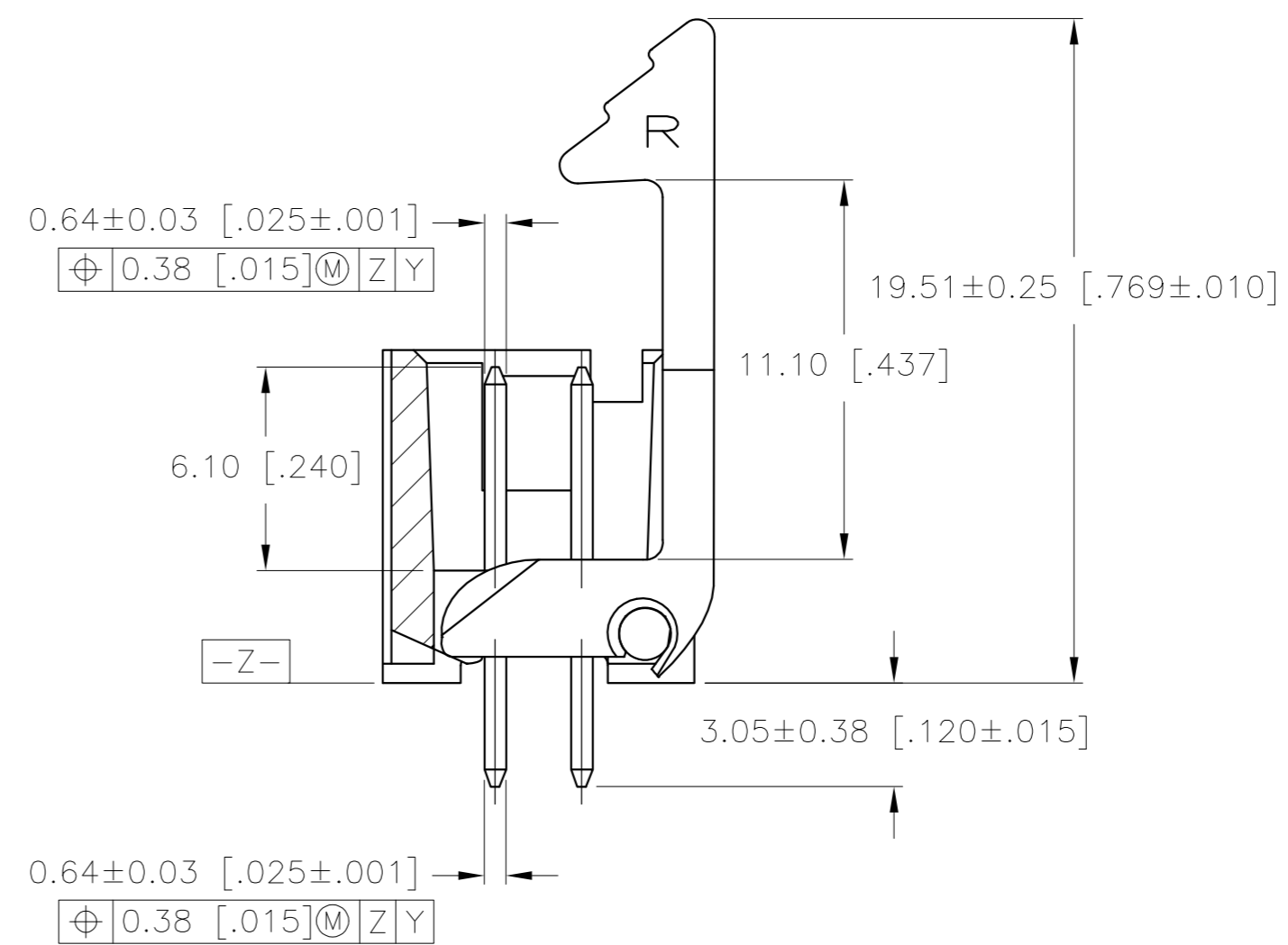
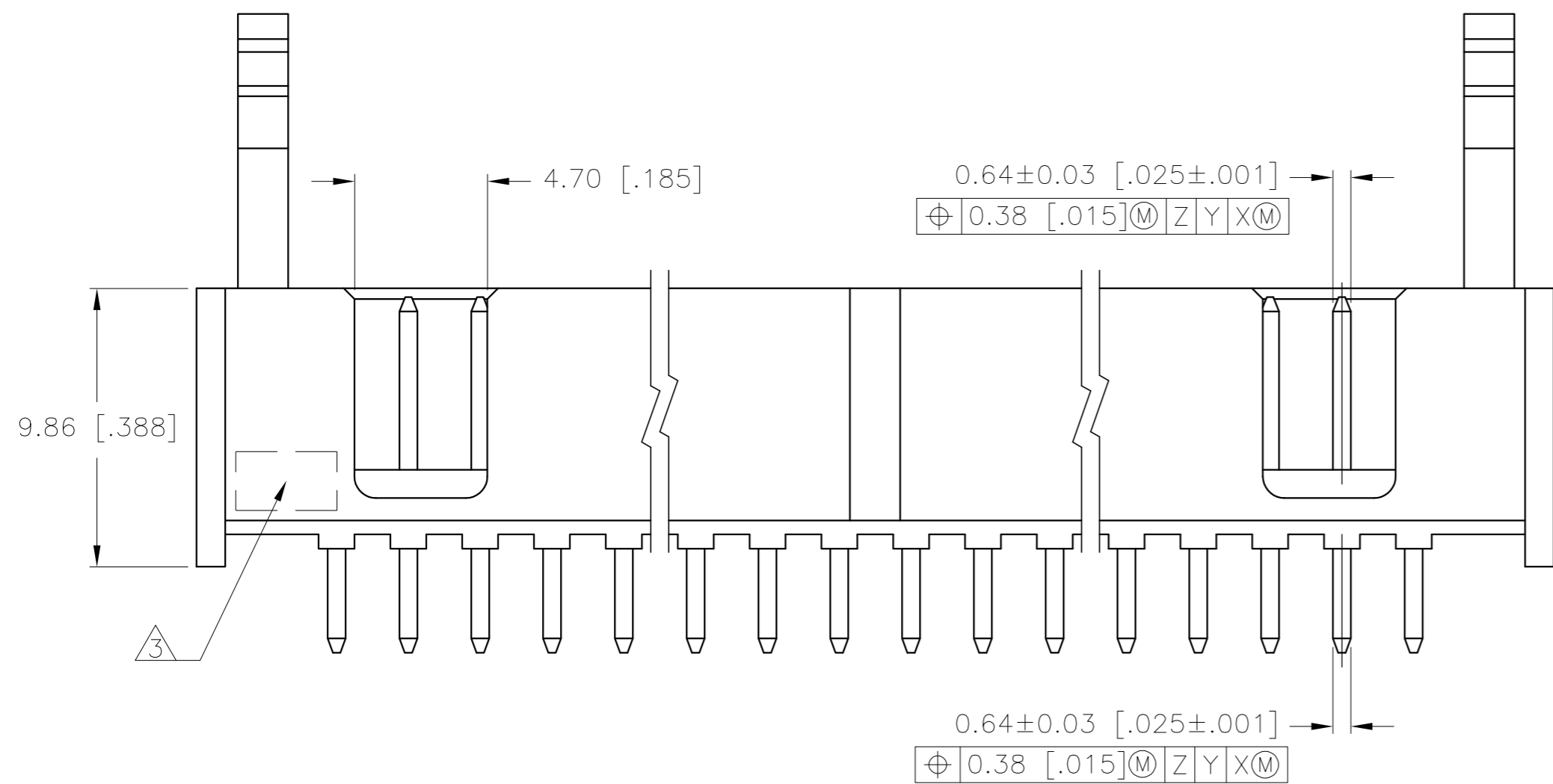


THIS DRAWING IS UNPUBLISHED. RELEASED FOR PUBLICATION
 © COPYRIGHT BY TYCO ELECTRONICS CORPORATION. ALL RIGHTS RESERVED.

LOC		DIST		REVISIONS			
P	LTR	DESCRIPTION		DATE	DWN	APVD	
GP	00	E		REVISED PER ECO-08-005380	10JUN2008	ZMR	SLB



- ① HOUSING: GLASS FILLED NYLON, 94V-0 RATED, COLOR BLACK. POSTS: BRASS.
- ② POSTS: GOLD FLASH OVER PALLADIUM-NICKEL PLATE, .000030 MIN TOTAL ON THE MATING SURFACES, .000100 MIN TIN LEAD PLATE ON THE SOLDER TAILS, .000050 MIN NICKEL UNDERPLATE ON THE ENTIRE POST.
OR
.000030 MIN GOLD PLATE ON THE MATING SURFACES, .000100 MIN TIN-LEAD PLATE ON THE SOLDER-TAILS, .000050 MIN NICKEL UNDERPLATE ON THE ENTIRE POST.
- ③ OPTIONAL DATE CODE LOCATED IN AREA INDICATED.
- ④ DATUMS X & Y APPLY AT THE INTERSECTION OF HOUSING AND POSTS.
- ⑤ DATUMS AND BASIC DIMENSIONS TO BE ESTABLISHED BY CUSTOMER.
- 6. POSTS OMITTED FROM POSITIONS 27, 30-35 & 37-40.



THIS DRAWING IS A CONTROLLED DOCUMENT.		DWN	J.GERACE	05FEB04	Tyco Electronics Corporation Harrisburg, PA 17105-3608	
DIMENSIONS: mm [INCHES]		CHK	S.BOLASH	05FEB04		
TOLERANCES UNLESS OTHERWISE SPECIFIED:		APVD	M.WALMSLEY	05FEB04		
0 PLC ± - 1 PLC ± - 2 PLC ± 0.13[.005] 3 PLC ± - 4 PLC ± - ANGLES ± - FINISH		PRODUCT SPEC	108-40018			
MATERIAL		APPLICATION SPEC	-		NAME	HEADER ASSY, VERTICAL, LOW PROFILE, SELECTIVELY LOADED, AMP-LATCH
①		WEIGHT	-		SIZE	A2
②		CUSTOMER DRAWING	SCALE	5:1	CAGE CODE	00779
			SHEET	1 OF 1	DRAWING NO	C=1658196
			REV	E	RESTRICTED TO	-