

# MC74AC138, MC74ACT138

## 1-of-8 Decoder/Demultiplexer

The MC74AC138/74ACT138 is a high-speed 1-of-8 decoder/demultiplexer. This device is ideally suited for high-speed bipolar memory chip select address decoding.

The multiple input enables allow parallel expansion to a 1-of-24 decoder using just three MC74AC138/74ACT138 devices or a 1-of-32 decoder using four MC74AC138/74ACT138 devices and one inverter.

- Demultiplexing Capability
- Multiple Input Enable for Easy Expansion
- Active LOW Mutually Exclusive Outputs
- Outputs Source/Sink 24 mA
- 'ACT138 Has TTL Compatible Inputs
- These devices are available in Pb-free package(s). Specifications herein apply to both standard and Pb-free devices. Please see our website at [www.onsemi.com](http://www.onsemi.com) for specific Pb-free orderable part numbers, or contact your local ON Semiconductor sales office or representative.

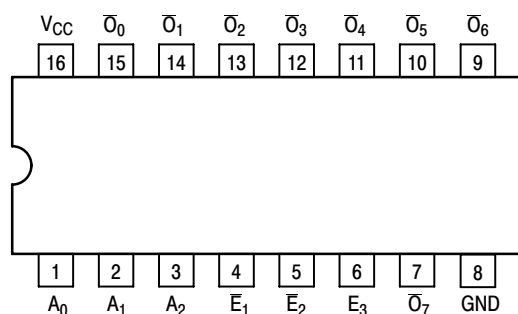


Figure 1. Pinout: 16-Lead Packages Conductors (Top View)

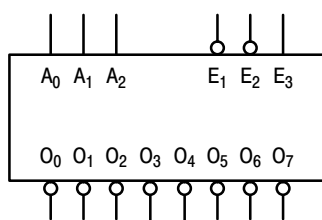


Figure 2. Logic Symbol

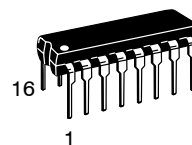
### PIN ASSIGNMENT

| PIN                            | FUNCTION       |
|--------------------------------|----------------|
| A <sub>0</sub> -A <sub>2</sub> | Address Inputs |
| $\bar{E}_1$ - $\bar{E}_2$      | Enable Inputs  |
| E <sub>3</sub>                 | Enable Input   |
| $\bar{O}_0$ - $\bar{O}_7$      | Outputs        |

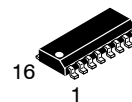


ON Semiconductor™

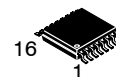
<http://onsemi.com>



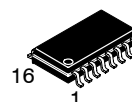
DIP-16  
N SUFFIX  
CASE 648



SO-16  
D SUFFIX  
CASE 751B



TSSOP-16  
DT SUFFIX  
CASE 948F



EIAJ-16  
M SUFFIX  
CASE 966

### ORDERING INFORMATION

| Device         | Package  | Shipping         |
|----------------|----------|------------------|
| MC74AC138N     | PDIP-16  | 25 Units/Rail    |
| MC74ACT138N    | PDIP-16  | 25 Units/Rail    |
| MC74AC138D     | SOIC-16  | 48 Units/Rail    |
| MC74ACT138D    | SOIC-16  | 48 Units/Rail    |
| MC74AC138DR2   | SOIC-16  | 2500 Tape & Reel |
| MC74ACT138DR2  | SOIC-16  | 2500 Tape & Reel |
| MC74AC138DT    | TSSOP-16 | 96 Units/Rail    |
| MC74ACT138DT   | TSSOP-16 | 96 Units/Rail    |
| MC74AC138DTR2  | TSSOP-16 | 2500 Tape & Reel |
| MC74ACT138DTR2 | TSSOP-16 | 2500 Tape & Reel |
| MC74AC138M     | EIAJ-16  | 50 Units/Rail    |
| MC74ACT138M    | EIAJ-16  | 50 Units/Rail    |
| MC74AC138MEL   | EIAJ-16  | 2000 Tape & Reel |
| MC74ACT138MEL  | EIAJ-16  | 2000 Tape & Reel |

### DEVICE MARKING INFORMATION

See general marking information in the device marking section on page 6 of this data sheet.

# MC74AC138, MC74ACT138

## FUNCTIONAL DESCRIPTION

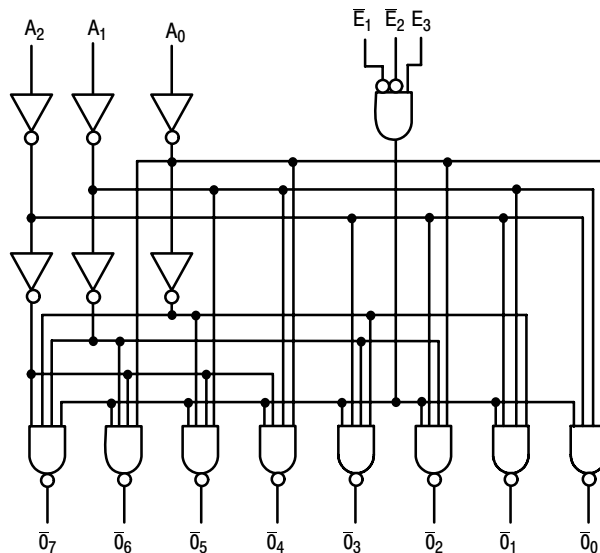
The MC74AC138/74ACT138 high-speed 1-of-8 decoder/demultiplexer accepts three binary weighted inputs ( $A_0, A_1, A_2$ ) and, when enabled, provides eight mutually exclusive active-LOW outputs ( $\bar{O}_0-\bar{O}_7$ ). The MC74AC138/74ACT138 features three Enable inputs, two active-LOW ( $\bar{E}_1, \bar{E}_2$ ) and one active-HIGH ( $E_3$ ). All outputs will be HIGH unless  $\bar{E}_1$  and  $\bar{E}_2$  are LOW and  $E_3$  is

HIGH. This multiple enabled function allows easy parallel expansion of the device to a 1-of-32 (5 lines to 32 lines) decoder with just four MC74AC138/74ACT138 devices and one inverter (See Figure 4). The MC74AC138/74ACT138 can be used as an 8-output demultiplexer by using one of the active LOW Enable inputs as the data input and the other Enable inputs as strobes. The Enable inputs which are not used must be permanently tied to their appropriate active-HIGH or active-LOW state.

## TRUTH TABLE

| Inputs      |             |             |       |       |       | Outputs     |             |             |             |             |             |             |             |
|-------------|-------------|-------------|-------|-------|-------|-------------|-------------|-------------|-------------|-------------|-------------|-------------|-------------|
| $\bar{E}_1$ | $\bar{E}_2$ | $\bar{E}_3$ | $A_0$ | $A_1$ | $A_2$ | $\bar{O}_0$ | $\bar{O}_1$ | $\bar{O}_2$ | $\bar{O}_3$ | $\bar{O}_4$ | $\bar{O}_5$ | $\bar{O}_6$ | $\bar{O}_7$ |
| H           | X           | X           | X     | X     | X     | H           | H           | H           | H           | H           | H           | H           | H           |
| X           | H           | X           | X     | X     | X     | H           | H           | H           | H           | H           | H           | H           | H           |
| X           | X           | L           | X     | X     | X     | H           | H           | H           | H           | H           | H           | H           | H           |
| L           | L           | H           | L     | L     | L     | L           | H           | H           | H           | H           | H           | H           | H           |
| L           | L           | H           | H     | L     | L     | H           | L           | H           | H           | H           | H           | H           | H           |
| L           | L           | H           | L     | H     | L     | H           | H           | L           | H           | H           | H           | H           | H           |
| L           | L           | H           | H     | H     | L     | H           | H           | H           | L           | H           | H           | H           | H           |
| L           | L           | H           | L     | L     | H     | H           | H           | H           | H           | L           | H           | H           | H           |
| L           | L           | H           | H     | L     | H     | H           | H           | H           | H           | H           | L           | H           | H           |
| L           | L           | H           | L     | H     | H     | H           | H           | H           | H           | H           | H           | L           | H           |
| L           | L           | H           | H     | H     | H     | H           | H           | H           | H           | H           | H           | H           | L           |

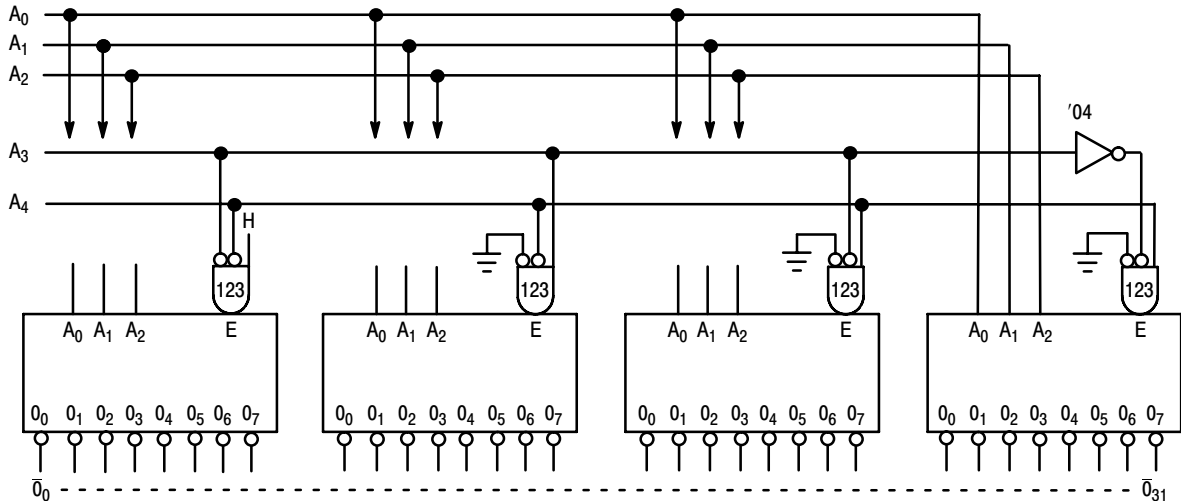
H = HIGH Voltage Level  
 L = LOW Voltage Level  
 X = Immaterial



NOTE: This diagram is provided only for the understanding of logic operations and should not be used to estimate propagation delays.

Figure 3. Logic Diagram

## MC74AC138, MC74ACT138



**Figure 4. Expansion to 1-of-32 Decoding**

### MAXIMUM RATINGS\*

| Symbol    | Parameter                                 | Value                  | Unit        |
|-----------|---|------------------------|-------------|
| $V_{CC}$  | DC Supply Voltage (Referenced to GND)     | -0.5 to +7.0           | V           |
| $V_{IN}$  | DC Input Voltage (Referenced to GND)      | -0.5 to $V_{CC} + 0.5$ | V           |
| $V_{OUT}$ | DC Output Voltage (Referenced to GND)     | -0.5 to $V_{CC} + 0.5$ | V           |
| $I_{IN}$  | DC Input Current, per Pin                 | $\pm 20$               | mA          |
| $I_{OUT}$ | DC Output Sink/Source Current, per Pin    | $\pm 50$               | mA          |
| $I_{CC}$  | DC $V_{CC}$ or GND Current per Output Pin | $\pm 50$               | mA          |
| $T_{stg}$ | Storage Temperature                       | -65 to +150            | $^{\circ}C$ |

\*Maximum Ratings are those values beyond which damage to the device may occur. Functional operation should be restricted to the Recommended Operating Conditions.

### RECOMMENDED OPERATING CONDITIONS

| Symbol            | Parameter   | Min              | Typ | Max      | Unit        |      |
|-------------------|---|------------------|-----|----------|-------------|------|
| $V_{CC}$          | Supply Voltage  | 'AC              | 2.0 | 5.0      | 6.0         | V    |
|                   |   | 'ACT             | 4.5 | 5.0      | 5.5         |      |
| $V_{IN}, V_{OUT}$ | DC Input Voltage, Output Voltage (Ref. to GND)                          | 0                | -   | $V_{CC}$ | V           |      |
| $t_r, t_f$        | Input Rise and Fall Time (Note 1)<br>'AC Devices except Schmitt Inputs  | $V_{CC} @ 3.0 V$ | -   | 150      | -           | ns/V |
|                   |   | $V_{CC} @ 4.5 V$ | -   | 40       | -           |      |
|                   |   | $V_{CC} @ 5.5 V$ | -   | 25       | -           |      |
| $t_r, t_f$        | Input Rise and Fall Time (Note 2)<br>'ACT Devices except Schmitt Inputs | $V_{CC} @ 4.5 V$ | -   | 10       | -           | ns/V |
|                   |   | $V_{CC} @ 5.5 V$ | -   | 8.0      | -           |      |
| $T_J$             | Junction Temperature (PDIP)   | -                | -   | 140      | $^{\circ}C$ |      |
| $T_A$             | Operating Ambient Temperature Range                                     | -40              | 25  | 85       | $^{\circ}C$ |      |
| $I_{OH}$          | Output Current - High   | -                | -   | -24      | mA          |      |
| $I_{OL}$          | Output Current - Low  | -                | -   | 24       | mA          |      |

1.  $V_{IN}$  from 30% to 70%  $V_{CC}$ ; see individual Data Sheets for devices that differ from the typical input rise and fall times.
2.  $V_{IN}$  from 0.8 V to 2.0 V; see individual Data Sheets for devices that differ from the typical input rise and fall times.

# MC74AC138, MC74ACT138

## DC CHARACTERISTICS

| Symbol           | Parameter                            | V <sub>CC</sub><br>(V) | 74AC                   |                   | 74AC                                  | Unit | Conditions  |
|------------------|--------------------------------------|------------------------|------------------------|-------------------|---------------------------------------|------|---|
|                  |                                      |                        | T <sub>A</sub> = +25°C |                   | T <sub>A</sub> =<br>-40°C to<br>+85°C |      |   |
|                  |                                      |                        | Typ                    | Guaranteed Limits |                                       |      |   |
| V <sub>IH</sub>  | Minimum High Level<br>Input Voltage  | 3.0                    | 1.5                    | 2.1               | 2.1                                   | V    | V <sub>OUT</sub> = 0.1 V<br>or V <sub>CC</sub> - 0.1 V  |
|                  |                                      | 4.5                    | 2.25                   | 3.15              | 3.15                                  |      |   |
|                  |                                      | 5.5                    | 2.75                   | 3.85              | 3.85                                  |      |   |
| V <sub>IL</sub>  | Maximum Low Level<br>Input Voltage   | 3.0                    | 1.5                    | 0.9               | 0.9                                   | V    | V <sub>OUT</sub> = 0.1 V<br>or V <sub>CC</sub> - 0.1 V  |
|                  |                                      | 4.5                    | 2.25                   | 1.35              | 1.35                                  |      |   |
|                  |                                      | 5.5                    | 2.75                   | 1.65              | 1.65                                  |      |   |
| V <sub>OH</sub>  | Minimum High Level<br>Output Voltage | 3.0                    | 2.99                   | 2.9               | 2.9                                   | V    | I <sub>OUT</sub> = -50 μA   |
|                  |                                      | 4.5                    | 4.49                   | 4.4               | 4.4                                   |      |   |
|                  |                                      | 5.5                    | 5.49                   | 5.4               | 5.4                                   |      |   |
|                  |                                      | 3.0                    | -                      | 2.56              | 2.46                                  | V    | *V <sub>IN</sub> = V <sub>IL</sub> or V <sub>IH</sub><br>-12 mA<br>I <sub>OH</sub> -24 mA<br>-24 mA |
|                  |                                      | 4.5                    | -                      | 3.86              | 3.76                                  |      |   |
|                  |                                      | 5.5                    | -                      | 4.86              | 4.76                                  |      |   |
| V <sub>OL</sub>  | Maximum Low Level<br>Output Voltage  | 3.0                    | 0.002                  | 0.1               | 0.1                                   | V    | I <sub>OUT</sub> = 50 μA  |
|                  |                                      | 4.5                    | 0.001                  | 0.1               | 0.1                                   |      |   |
|                  |                                      | 5.5                    | 0.001                  | 0.1               | 0.1                                   |      |   |
|                  |                                      | 3.0                    | -                      | 0.36              | 0.44                                  | V    | *V <sub>IN</sub> = V <sub>IL</sub> or V <sub>IH</sub><br>12 mA<br>I <sub>OL</sub> 24 mA<br>24 mA    |
|                  |                                      | 4.5                    | -                      | 0.36              | 0.44                                  |      |   |
|                  |                                      | 5.5                    | -                      | 0.36              | 0.44                                  |      |   |
| I <sub>IN</sub>  | Maximum Input<br>Leakage Current     | 5.5                    | -                      | ±0.1              | ±1.0                                  | μA   | V <sub>I</sub> = V <sub>CC</sub> , GND  |
| I <sub>OLD</sub> | †Minimum Dynamic<br>Output Current   | 5.5                    | -                      | -                 | 75                                    | mA   | V <sub>OLD</sub> = 1.65 V Max   |
| I <sub>OHD</sub> |                                      | 5.5                    | -                      | -                 | -75                                   | mA   | V <sub>OHD</sub> = 3.85 V Min   |
| I <sub>CC</sub>  | Maximum Quiescent<br>Supply Current  | 5.5                    | -                      | 8.0               | 80                                    | μA   | V <sub>IN</sub> = V <sub>CC</sub> or GND  |

\*All outputs loaded; thresholds on input associated with output under test.

†Maximum test duration 2.0 ms, one output loaded at a time.

NOTE: I<sub>IN</sub> and I<sub>CC</sub> @ 3.0 V are guaranteed to be less than or equal to the respective limit @ 5.5 V V<sub>CC</sub>.

# MC74AC138, MC74ACT138

**AC CHARACTERISTICS** (For Figures and Waveforms – See Section 3 of the ON Semiconductor FACT Data Book, DL138/D)

| Symbol           | Parameter  | V <sub>CC</sub> *<br>(V) | 74AC   |             |              | 74AC   |              | Unit | Fig. No. |
|------------------|--|--------------------------|--|-------------|--------------|--|--------------|------|----------|
|                  |  |                          | T <sub>A</sub> = +25°C<br>C <sub>L</sub> = 50 pF |             |              | T <sub>A</sub> = -40°C<br>to +85°C<br>C <sub>L</sub> = 50 pF |              |      |          |
|                  |  |                          | Min  | Typ         | Max          | Min  | Max          |      |          |
| t <sub>PLH</sub> | Propagation Delay<br>A <sub>n</sub> to $\bar{O}_n$                   | 3.3<br>5.0               | 1.5<br>1.5                                       | 8.5<br>6.5  | 13.0<br>9.5  | 1.5<br>1.5   | 15.0<br>10.5 | ns   | 3-6      |
| t <sub>PHL</sub> | Propagation Delay<br>A <sub>n</sub> to $\bar{O}_n$                   | 3.3<br>5.0               | 1.5<br>1.5                                       | 8.0<br>6.0  | 12.5<br>9.0  | 1.5<br>1.5   | 14.0<br>10.5 | ns   | 3-6      |
| t <sub>PLH</sub> | Propagation Delay<br>$\bar{E}_1$ or $\bar{E}_2$ to $\bar{O}_n$       | 3.3<br>5.0               | 1.5<br>1.5                                       | 11.0<br>8.0 | 15.0<br>11.0 | 1.5<br>1.5   | 16.0<br>12.0 | ns   | 3-6      |
| t <sub>PHL</sub> | Propagation Delay<br>E <sub>1</sub> or E <sub>2</sub> to $\bar{O}_n$ | 3.3<br>5.0               | 1.5<br>1.5                                       | 9.5<br>7.0  | 13.5<br>9.5  | 1.5<br>1.5   | 15.0<br>10.5 | ns   | 3-6      |
| t <sub>PLH</sub> | Propagation Delay<br>E <sub>3</sub> to $\bar{O}_n$                   | 3.3<br>5.0               | 1.5<br>1.5                                       | 11.0<br>8.0 | 15.5<br>11.0 | 1.5<br>1.5   | 16.5<br>12.5 | ns   | 3-6      |
| t <sub>PHL</sub> | Propagation Delay<br>E <sub>3</sub> to $\bar{O}_n$                   | 3.3<br>5.0               | 1.5<br>1.5                                       | 8.5<br>6.0  | 13.0<br>8.0  | 1.5<br>1.0   | 14.0<br>9.5  | ns   | 3-6      |

\*Voltage Range 3.3 V is 3.3 V ±0.3 V.

\*Voltage Range 5.0 V is 5.0 V ±0.5 V.

## DC CHARACTERISTICS

| Symbol            | Parameter                              | V <sub>CC</sub><br>(V) | 74ACT                  |                   | 74ACT                                 |    | Unit  | Conditions |
|-------------------|--|------------------------|------------------------|-------------------|---------------------------------------|----|---|------------|
|                   |  |                        | T <sub>A</sub> = +25°C |                   | T <sub>A</sub> =<br>-40°C to<br>+85°C |    |   |            |
|                   |  |                        | Typ                    | Guaranteed Limits |                                       |    |   |            |
| V <sub>IH</sub>   | Minimum High Level<br>Input Voltage    | 4.5                    | 1.5                    | 2.0               | 2.0                                   | V  | V <sub>OUT</sub> = 0.1 V<br>or V <sub>CC</sub> - 0.1 V          |            |
|                   |  | 5.5                    | 1.5                    | 2.0               | 2.0                                   |    |   |            |
| V <sub>IL</sub>   | Maximum Low Level<br>Input Voltage     | 4.5                    | 1.5                    | 0.8               | 0.8                                   | V  | V <sub>OUT</sub> = 0.1 V<br>or V <sub>CC</sub> - 0.1 V          |            |
|                   |  | 5.5                    | 1.5                    | 0.8               | 0.8                                   |    |   |            |
| V <sub>OH</sub>   | Minimum High Level<br>Output Voltage   | 4.5                    | 4.49                   | 4.4               | 4.4                                   | V  | I <sub>OUT</sub> = -50 μA                                       |            |
|                   |  | 5.5                    | 5.49                   | 5.4               | 5.4                                   |    |   |            |
|                   |  | 4.5                    | -                      | 3.86              | 3.76                                  | V  | *V <sub>IN</sub> = V <sub>IL</sub> or V <sub>IH</sub><br>-24 mA |            |
|                   |  | 5.5                    | -                      | 4.86              | 4.76                                  |    |   |            |
| V <sub>OL</sub>   | Maximum Low Level<br>Output Voltage    | 4.5                    | 0.001                  | 0.1               | 0.1                                   | V  | I <sub>OUT</sub> = 50 μA  |            |
|                   |  | 5.5                    | 0.001                  | 0.1               | 0.1                                   |    |   |            |
|                   |  | 4.5                    | -                      | 0.36              | 0.44                                  | V  | *V <sub>IN</sub> = V <sub>IL</sub> or V <sub>IH</sub><br>24 mA  |            |
|                   |  | 5.5                    | -                      | 0.36              | 0.44                                  |    |   |            |
| I <sub>IN</sub>   | Maximum Input<br>Leakage Current       | 5.5                    | -                      | ±0.1              | ±1.0                                  | μA | V <sub>I</sub> = V <sub>CC</sub> , GND                          |            |
| ΔI <sub>CCT</sub> | Additional Max. I <sub>CC</sub> /Input | 5.5                    | 0.6                    | -                 | 1.5                                   | mA | V <sub>I</sub> = V <sub>CC</sub> - 2.1 V                        |            |
| I <sub>OLD</sub>  | †Minimum Dynamic<br>Output Current     | 5.5                    | -                      | -                 | 75                                    | mA | V <sub>OLD</sub> = 1.65 V Max                                   |            |
| I <sub>OHD</sub>  |  | 5.5                    | -                      | -                 | -75                                   | mA | V <sub>OHD</sub> = 3.85 V Min                                   |            |
| I <sub>CC</sub>   | Maximum Quiescent<br>Supply Current    | 5.5                    | -                      | 8.0               | 80                                    | μA | V <sub>IN</sub> = V <sub>CC</sub> or GND                        |            |

\*All outputs loaded; thresholds on input associated with output under test.

†Maximum test duration 2.0 ms, one output loaded at a time.

# MC74AC138, MC74ACT138

**AC CHARACTERISTICS** (For Figures and Waveforms – See Section 3 of the ON Semiconductor FACT Data Book, DL138/D)

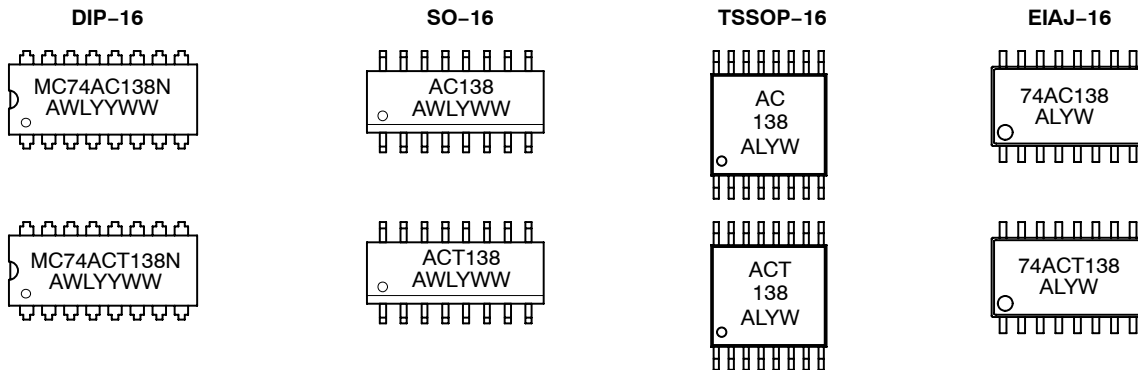
| Symbol           | Parameter  | V <sub>CC</sub> *<br>(V) | 74ACT  |     |      | 74ACT  |      | Unit | Fig. No. |
|------------------|--|--------------------------|--|-----|------|--|------|------|----------|
|                  |  |                          | T <sub>A</sub> = +25°C<br>C <sub>L</sub> = 50 pF |     |      | T <sub>A</sub> = -40°C<br>to +85°C<br>C <sub>L</sub> = 50 pF |      |      |          |
|                  |  |                          | Min  | Typ | Max  | Min  | Max  |      |          |
| t <sub>PLH</sub> | Propagation Delay<br>A <sub>n</sub> to $\bar{O}_n$             | 5.0                      | 1.5  | 7.0 | 10.5 | 1.5  | 11.5 | ns   | 3-6      |
| t <sub>PHL</sub> | Propagation Delay<br>A <sub>n</sub> to $\bar{O}_n$             | 5.0                      | 1.5  | 6.5 | 10.5 | 1.5  | 11.5 | ns   | 3-6      |
| t <sub>PLH</sub> | Propagation Delay<br>$\bar{E}_1$ or $\bar{E}_2$ to $\bar{O}_n$ | 5.0                      | 2.5  | 8.0 | 11.5 | 2.0  | 12.5 | ns   | 3-6      |
| t <sub>PHL</sub> | Propagation Delay<br>$\bar{E}_1$ or $\bar{E}_2$ to $\bar{O}_n$ | 5.0                      | 2.0  | 7.5 | 11.5 | 2.0  | 12.5 | ns   | 3-6      |
| t <sub>PLH</sub> | Propagation Delay<br>E <sub>3</sub> to $\bar{O}_n$             | 5.0                      | 2.5  | 8.0 | 12.0 | 2.0  | 13.0 | ns   | 3-6      |
| t <sub>PHL</sub> | Propagation Delay<br>E <sub>3</sub> to $\bar{O}_n$             | 5.0                      | 2.0  | 6.5 | 10.5 | 1.5  | 11.5 | ns   | 3-6      |

\*Voltage Range 5.0 V is 5.0 V ± 0.5 V

## CAPACITANCE

| Symbol          | Parameter                     | Value<br>Typ | Unit | Test Conditions         |
|-----------------|-------------------------------|--------------|------|-------------------------|
| C <sub>IN</sub> | Input Capacitance             | 4.5          | pF   | V <sub>CC</sub> = 5.0 V |
| C <sub>PD</sub> | Power Dissipation Capacitance | 60           | pF   | V <sub>CC</sub> = 5.0 V |

## MARKING DIAGRAMS



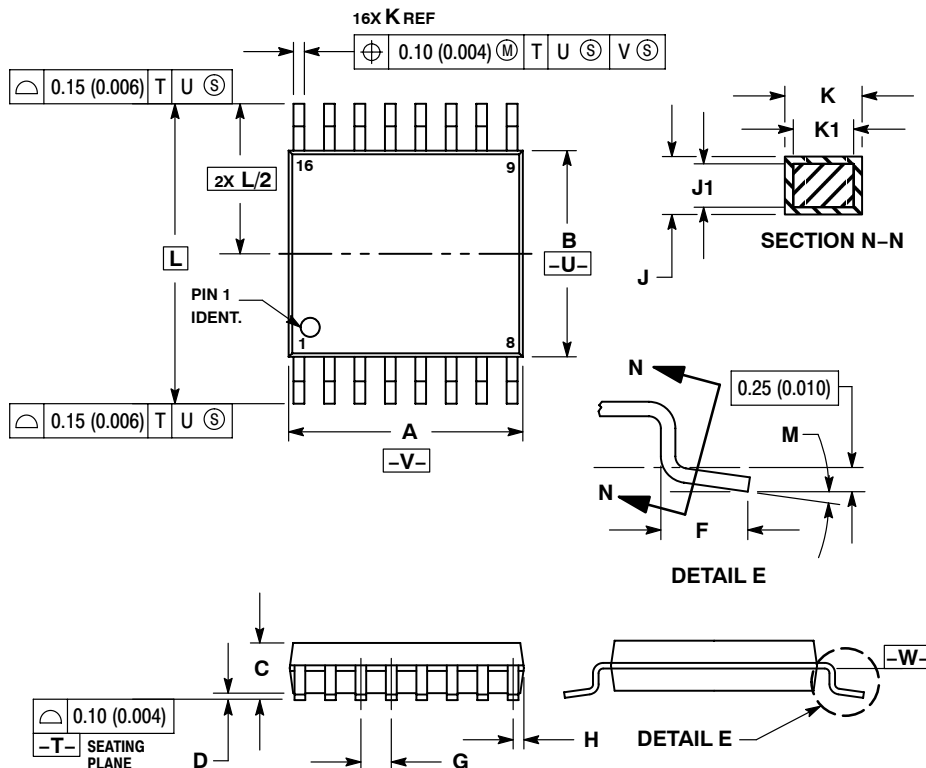
A = Assembly Location  
 WL, L = Wafer Lot  
 YY, Y = Year  
 WW, W = Work Week



# MC74AC138, MC74ACT138

## PACKAGE DIMENSIONS

**TSSOP-16**  
**DT SUFFIX**  
 16 PIN PLASTIC TSSOP PACKAGE  
 CASE948F-01  
 ISSUE O

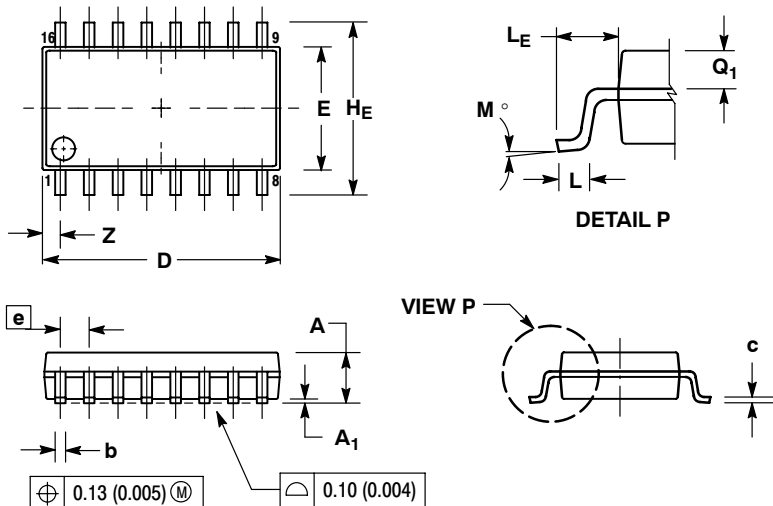


**NOTES:**

1. DIMENSIONING AND TOLERANCING PER ANSI Y14.5M, 1982.
2. CONTROLLING DIMENSION: MILLIMETER.
3. DIMENSION A DOES NOT INCLUDE MOLD FLASH, PROTRUSIONS OR GATE BURRS. MOLD FLASH OR GATE BURRS SHALL NOT EXCEED 0.15 (0.006) PER SIDE.
4. DIMENSION B DOES NOT INCLUDE INTERLEAD FLASH OR PROTRUSION. INTERLEAD FLASH OR PROTRUSION SHALL NOT EXCEED 0.25 (0.010) PER SIDE.
5. DIMENSION K DOES NOT INCLUDE DAMBAR PROTRUSION. ALLOWABLE DAMBAR PROTRUSION SHALL BE 0.08 (0.003) TOTAL IN EXCESS OF THE K DIMENSION AT MAXIMUM MATERIAL CONDITION.
6. TERMINAL NUMBERS ARE SHOWN FOR REFERENCE ONLY.
7. DIMENSION A AND B ARE TO BE DETERMINED AT DATUM PLANE -W-.

| DIM | MILLIMETERS |      | INCHES    |       |
|-----|-------------|------|-----------|-------|
|     | MIN         | MAX  | MIN       | MAX   |
| A   | 4.90        | 5.10 | 0.193     | 0.200 |
| B   | 4.30        | 4.50 | 0.169     | 0.177 |
| C   | ---         | 1.20 | ---       | 0.047 |
| D   | 0.05        | 0.15 | 0.002     | 0.006 |
| F   | 0.50        | 0.75 | 0.020     | 0.030 |
| G   | 0.65 BSC    |      | 0.026 BSC |       |
| H   | 0.18        | 0.28 | 0.007     | 0.011 |
| J   | 0.09        | 0.20 | 0.004     | 0.008 |
| J1  | 0.09        | 0.16 | 0.004     | 0.006 |
| K   | 0.19        | 0.30 | 0.007     | 0.012 |
| K1  | 0.19        | 0.25 | 0.007     | 0.010 |
| L   | 6.40 BSC    |      | 0.252 BSC |       |
| M   | 0°          | 8°   | 0°        | 8°    |

**EIAJ-16**  
**M SUFFIX**  
 16 PIN PLASTIC EIAJ PACKAGE  
 CASE966-01  
 ISSUE O



**NOTES:**

1. DIMENSIONING AND TOLERANCING PER ANSI Y14.5M, 1982.
2. CONTROLLING DIMENSION: MILLIMETER.
3. DIMENSIONS D AND E DO NOT INCLUDE MOLD FLASH OR PROTRUSIONS AND ARE MEASURED AT THE PARTING LINE. MOLD FLASH OR PROTRUSIONS SHALL NOT EXCEED 0.15 (0.006) PER SIDE.
4. TERMINAL NUMBERS ARE SHOWN FOR REFERENCE ONLY.
5. THE LEAD WIDTH DIMENSION (b) DOES NOT INCLUDE DAMBAR PROTRUSION. ALLOWABLE DAMBAR PROTRUSION SHALL BE 0.08 (0.003) TOTAL IN EXCESS OF THE LEAD WIDTH DIMENSION AT MAXIMUM MATERIAL CONDITION. DAMBAR CANNOT BE LOCATED ON THE LOWER RADIUS OR THE FOOT. MINIMUM SPACE BETWEEN PROTRUSIONS AND ADJACENT LEAD TO BE 0.46 (0.018).


| DIM            | MILLIMETERS |       | INCHES    |       |
|----------------|-------------|-------|-----------|-------|
|                | MIN         | MAX   | MIN       | MAX   |
| A              | ---         | 2.05  | ---       | 0.081 |
| A <sub>1</sub> | 0.05        | 0.20  | 0.002     | 0.008 |
| b              | 0.35        | 0.50  | 0.014     | 0.020 |
| c              | 0.18        | 0.27  | 0.007     | 0.011 |
| D              | 9.90        | 10.50 | 0.390     | 0.413 |
| E              | 5.10        | 5.45  | 0.201     | 0.215 |
| e              | 1.27 BSC    |       | 0.050 BSC |       |
| H <sub>E</sub> | 7.40        | 8.20  | 0.291     | 0.323 |
| L              | 0.50        | 0.85  | 0.020     | 0.033 |
| L <sub>E</sub> | 1.10        | 1.50  | 0.043     | 0.059 |
| M              | 0°          | 10°   | 0°        | 10°   |
| Q <sub>1</sub> | 0.70        | 0.90  | 0.028     | 0.035 |
| Z              | ---         | 0.78  | ---       | 0.031 |



## Notes

**Notes**

## Notes

**ON Semiconductor** and  are registered trademarks of Semiconductor Components Industries, LLC (SCILLC). SCILLC reserves the right to make changes without further notice to any products herein. SCILLC makes no warranty, representation or guarantee regarding the suitability of its products for any particular purpose, nor does SCILLC assume any liability arising out of the application or use of any product or circuit, and specifically disclaims any and all liability, including without limitation special, consequential or incidental damages. "Typical" parameters which may be provided in SCILLC data sheets and/or specifications can and do vary in different applications and actual performance may vary over time. All operating parameters, including "Typicals" must be validated for each customer application by customer's technical experts. SCILLC does not convey any license under its patent rights nor the rights of others. SCILLC products are not designed, intended, or authorized for use as components in systems intended for surgical implant into the body, or other applications intended to support or sustain life, or for any other application in which the failure of the SCILLC product could create a situation where personal injury or death may occur. Should Buyer purchase or use SCILLC products for any such unintended or unauthorized application, Buyer shall indemnify and hold SCILLC and its officers, employees, subsidiaries, affiliates, and distributors harmless against all claims, costs, damages, and expenses, and reasonable attorney fees arising out of, directly or indirectly, any claim of personal injury or death associated with such unintended or unauthorized use, even if such claim alleges that SCILLC was negligent regarding the design or manufacture of the part. SCILLC is an Equal Opportunity/Affirmative Action Employer. This literature is subject to all applicable copyright laws and is not for resale in any manner.

### **PUBLICATION ORDERING INFORMATION**

**LITERATURE FULFILLMENT:**

Literature Distribution Center for ON Semiconductor  
P.O. Box 61312, Phoenix, Arizona 85082-1312 USA

**Phone:** 480-829-7710 or 800-344-3860 Toll Free USA/Canada

**Fax:** 480-829-7709 or 800-344-3867 Toll Free USA/Canada

**Email:** [orderlit@onsemi.com](mailto:orderlit@onsemi.com)

**N. American Technical Support:** 800-282-9855 Toll Free  
USA/Canada

**Japan:** ON Semiconductor, Japan Customer Focus Center  
2-9-1 Kamimeguro, Meguro-ku, Tokyo, Japan 153-0051  
**Phone:** 81-3-5773-3850

**ON Semiconductor Website:** <http://onsemi.com>

**Order Literature:** <http://www.onsemi.com/litorder>

For additional information, please contact your  
local Sales Representative.