

PART NUMBER CODING

C02SXNN-S

MODIFICATION
 OMIT = STANDARD
 S328 = BROWN PPS

PLATING

ALL PLATINGS HAVE .000050" MIN NICKEL UNDERPLATE
 S = .000010" GOLD, TYPE II GR C ON CONTACT SURFACE
 M = .000030" GOLD, TYPE II GR C ON CONTACT SURFACE
 D = .000030" GOLD, TYPE III, GR A OVERALL

MATERIAL (INSULATOR / CONTACT)

(SEE MATERIAL TABLE)

MATERIAL TABLE

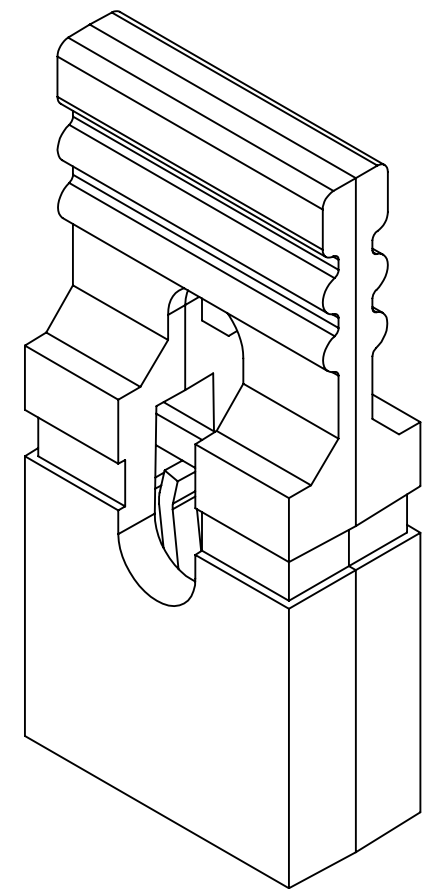
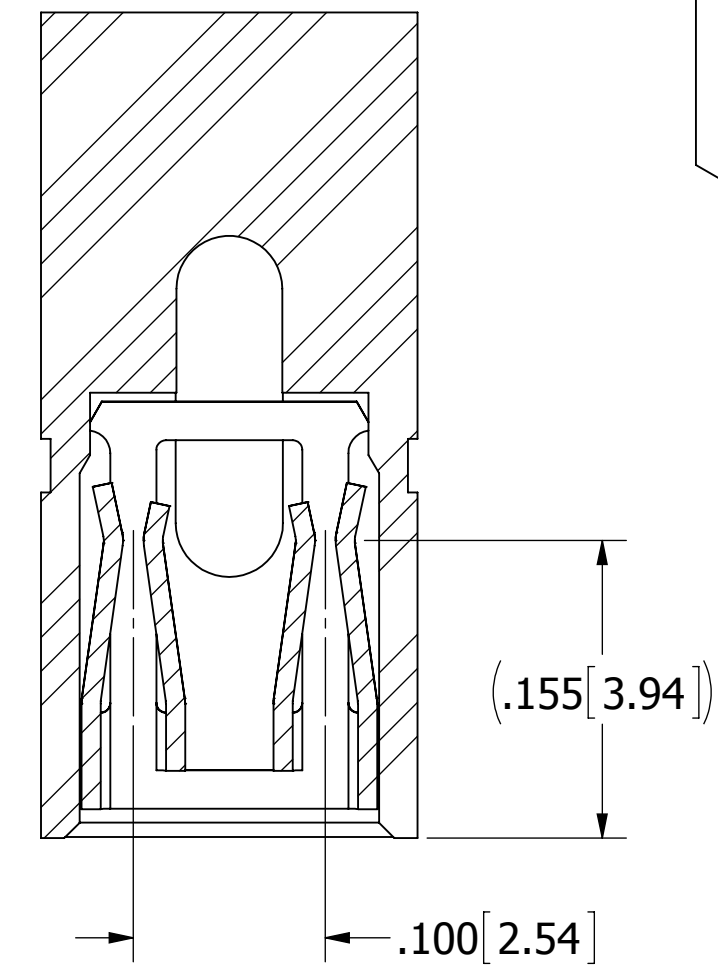
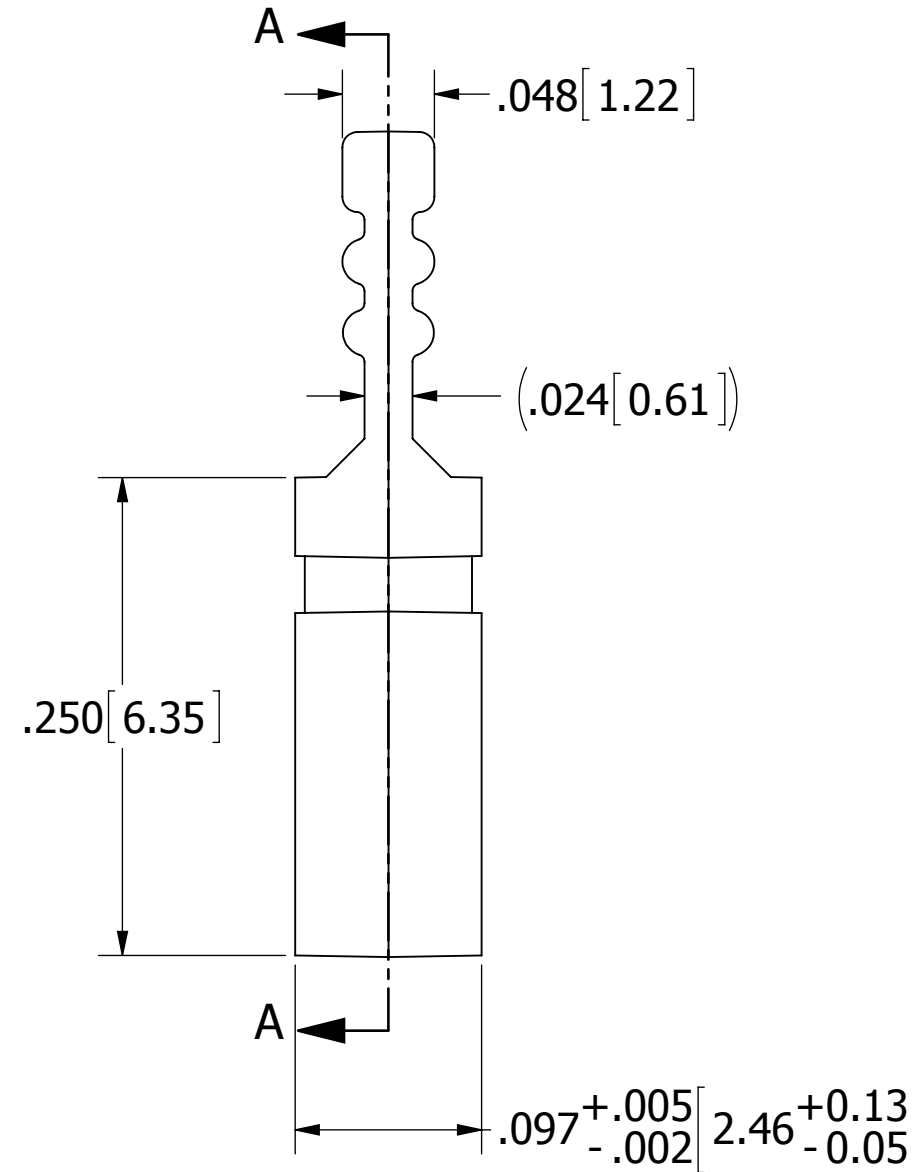
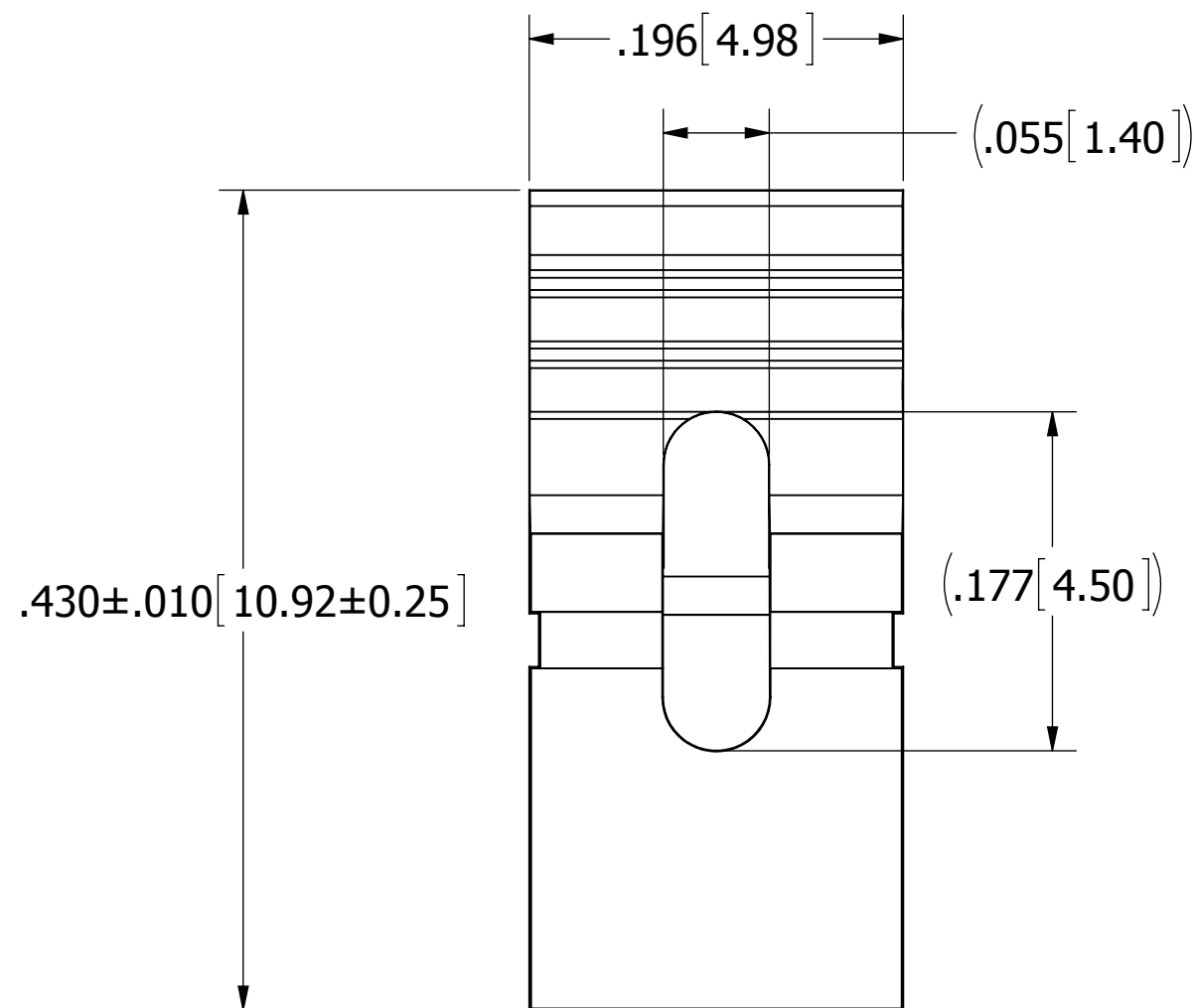
LETTER CODE	INSULATOR / CONTACT	OPERATING TEMP.	MODIFICATION NUMBER
J**	BLACK PA9T / BERYLLIUM COPPER	-65°C TO +150°C	OMIT
M**	WHITE PA9T / BERYLLIUM COPPER	-65°C TO +150°C	OMIT
A**	BROWN PPS / BERYLLIUM COPPER	-65°C TO +150°C	S328
F*	GREEN PPS / SPINODAL	-65°C TO +200°C	OMIT
W*	TAN PEEK / BERYLLIUM NICKEL	-65°C TO +250°C	OMIT

* AVAILABLE WITH 'D' PLATING ONLY

** AVAILABLE WITH 'S' OR 'M' PLATING ONLY

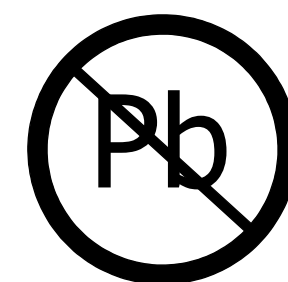
REVISIONS

REV.	ECO. NO	DESCRIPTION	DATE	BY
A	2855	INITIAL RELEASE	2/26/2014	JH
B	2995	ADD 'M' PLATING	6/11/2014	JH
C	2999	UPDATE THICKNESS FROM .100 TO .097+/- .002	10/2/2014	JHSU
D	3241	UPDATE THICKNESS TOLERANCE TO +.005/- .002 (WAS +/- .002)	6/2/2015	MG



NOTES:

1. INSULATOR MATERIAL: SEE PART NUMBER CODING
2. CONTACT MATERIAL: SEE PART NUMBER CODING
3. PLATING: SEE PART NUMBER CODING
4. OPERATING TEMPERATURE: SEE PART NUMBER CODING
5. UL FLAMMABILITY RATING: 94V-0
6. DIELECTRIC WITHSTANDING VOLTAGE: 1000 VAC
7. CURRENT RATING: 3 AMP
8. CONTACT RESISTANCE: 30 MILLI OHMS MAX
9. INSULATION RESISTANCE: 1000 MEGA OHMS
10. DOUBLE TUNING FORK TYPE CONTACT, ACCOMMODATES .025" SQ. POST.



RoHS COMPLIANT

UNLESS OTHERWISE SPECIFIED:
 DIMENSIONS ARE IN INCHES [MM]

TOLERANCES:

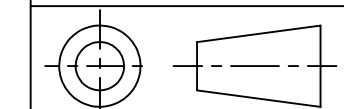
ANGULAR: ± 1°

DECIMALS

.XX = ± .02 [.5]
 .XXX = ± .005 [.13]
 .XXXX = ± .0005 [.013]

DRAWN	DATE	NAME
	6/18/13	TT

THE INFORMATION HEREIN CONTAINS PROPRIETARY INFORMATION OF SULLINS ELECTRONICS AND IS NOT TO BE REPRODUCED, USED OR DISCLOSED TO OTHERS FOR ANY PURPOSE EXCEPT AS SPECIFICALLY AUTHORIZED IN WRITING BY AN OFFICER OF SULLINS ELECTRONICS.



SULLINS CONNECTOR SOLUTIONS			
TITLE .100" PITCH HI-TEMP SHUNT WITH HANDLE			
PART NUMBER C02SXNN-(S328)			
SIZE C	CAGE CODE 54453	DWG. NO. C12234	REV D
SCALE: 10:1		SHEET 1 OF 1	

CUSTOMER COPY