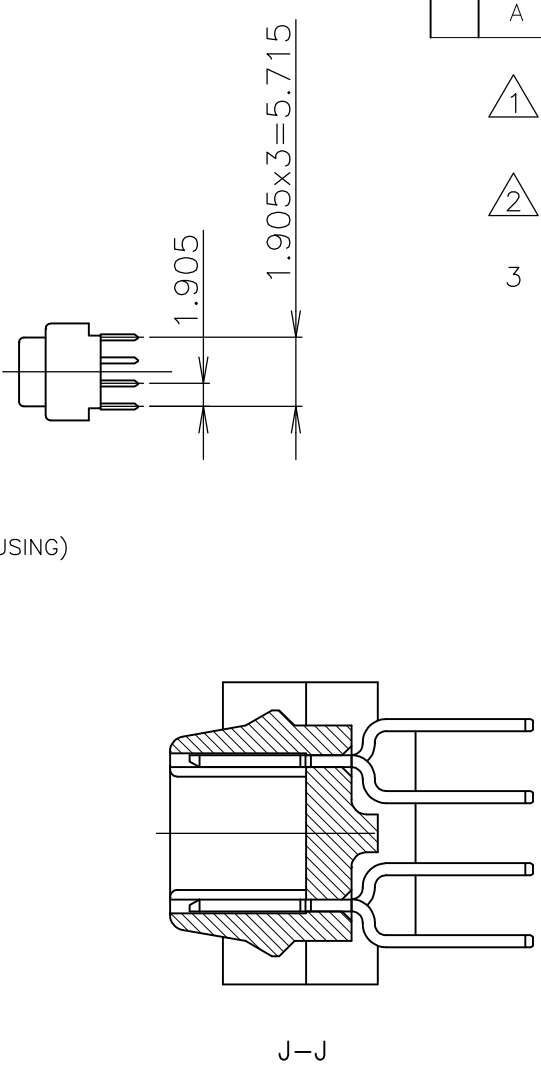
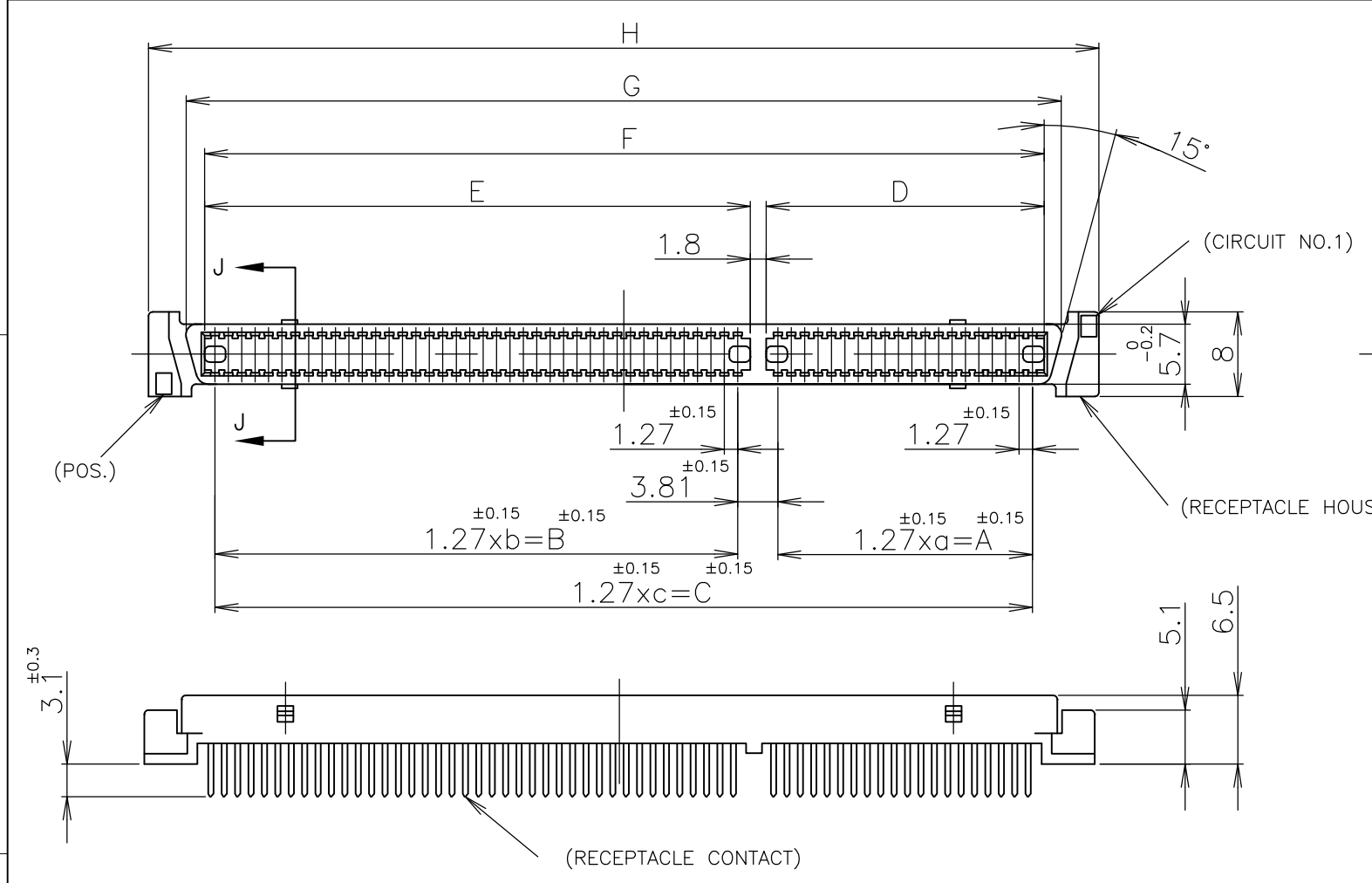
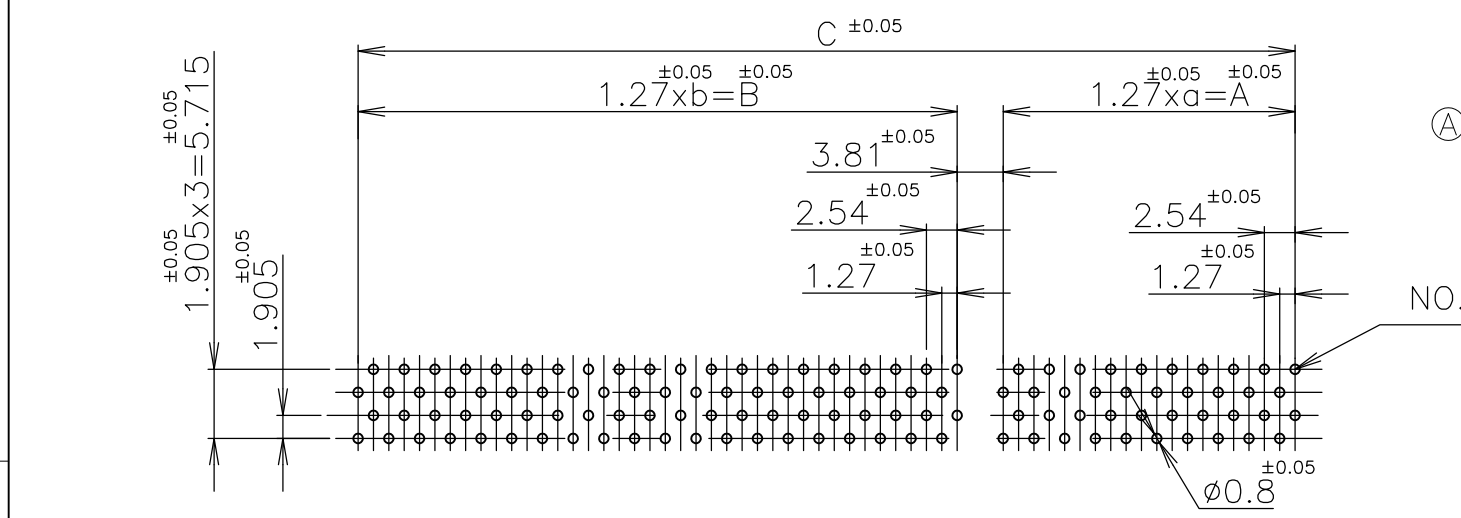


THIS DRAWING IS UNPUBLISHED. RELEASED FOR PUBLICATION FEB , 1995.  
 © COPYRIGHT 1995 By - ALL RIGHTS RESERVED.

LOC	DIST	REVISIONS 變更			
P	LTR	DESCRIPTION	DATE	DWN	APVD
J		A	REVISED ECR-12-013341	26MAR13	K.M E.T



- ① MATERIAL: HOUSING: GLASS FILLED 66 NYLON (UL 94V-0) BLACK.  
CONTACT: PHOSPHOR-BRONZE
- ② FINISH: CONTACT: 0.0003 MIN. Au CONTACT AREA, 0.001 MIN. TIN AT TINE, OVER Ni
- ③ THESE PRODUCTS WERE COATED BY ANTI-FLUX MIGRATION AGENT.



POS.	a	A	b	B	c	C	D	E	F	G	H	P/N
180	39	49.53	49	62.23	—	115.57	51.53	64.23	117.57	120.66	128.19	▲-8
160	29	36.83	49	62.23	—	102.87	38.83	64.23	104.87	107.96	115.49	-7
140	29	36.83	39	49.53	—	90.17	38.83	51.53	92.17	95.26	102.79	-6
120	19	24.13	39	49.53	—	77.47	26.13	51.53	79.47	82.56	90.09	-5
100	—	—	—	—	49	62.23	—	—	64.23	67.32	74.85	-4
80	—	—	—	—	39	49.53	—	—	51.53	54.62	62.15	-3
60	—	—	—	—	29	36.83	—	—	38.83	41.92	49.45	-2
40	—	—	—	—	19	24.13	—	—	26.13	29.22	36.75	5917629-1

P.C. BOARD LAYOUT  
(CONNECTOR MOUNT SIDE)

LEAD FREE

THIS DRAWING IS A CONTROLLED DOCUMENT.

DIMENSIONS: 單位: 耗 mm	TOLERANCES UNLESS OTHERWISE SPECIFIED: 一般公差	DWN ROY HAO 21SEP04	TE Connectivity
	0 PLC ± 0.2 1 PLC ± 0.2 2 PLC ± 0.2 3 PLC ± 0.2 4 PLC ± 0.2 ANGLES ± 3°	CHK STEVEN YAO 21SEP04	
MATERIAL 材料	FINISH 仕上	APVD I.ENOMOTO 21SEP04	NAME 名稱
①	②	PRODUCT SPEC 製品規格	AMP FH CONNECTOR RECEPTACLE (VERTICAL) 9mm STACKING
		APPLICATION SPEC 取付適用規格	SIZE A3
		WEIGHT	CAGE CODE 00779
			DRAWING NO G-5917629
			RESTRICTED TO
			SCALE 尺度 NTS
			SHEET 1 OF 1
			REV A

CUSTOMER DRAWING