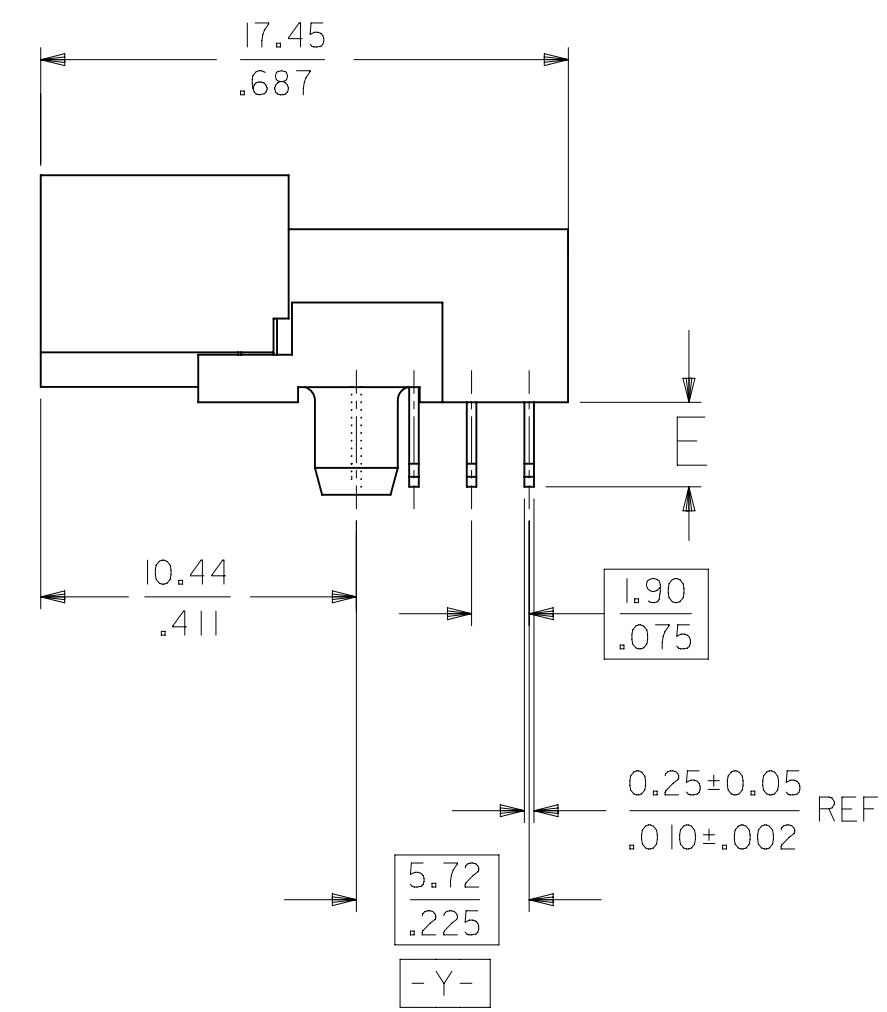
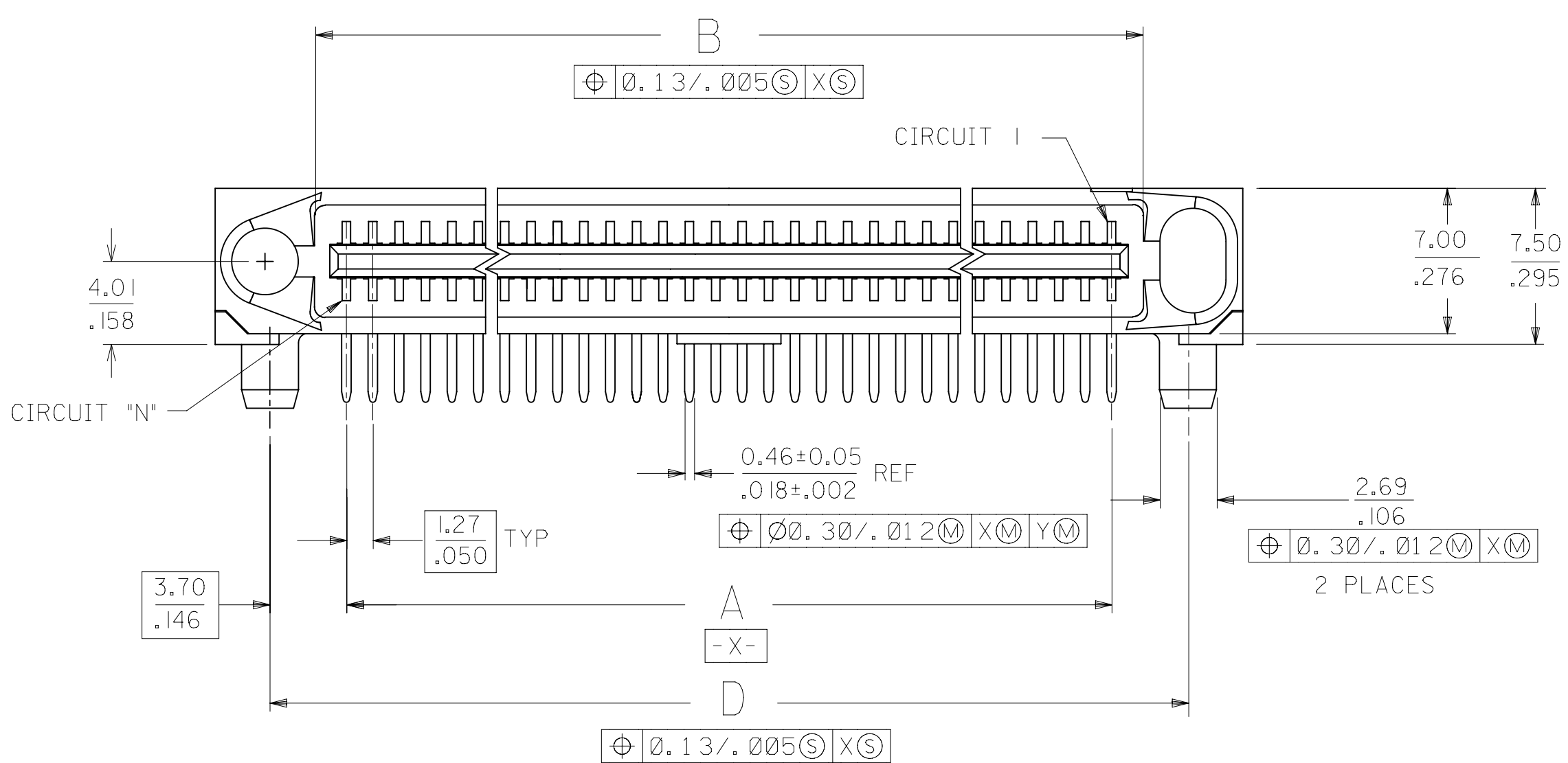
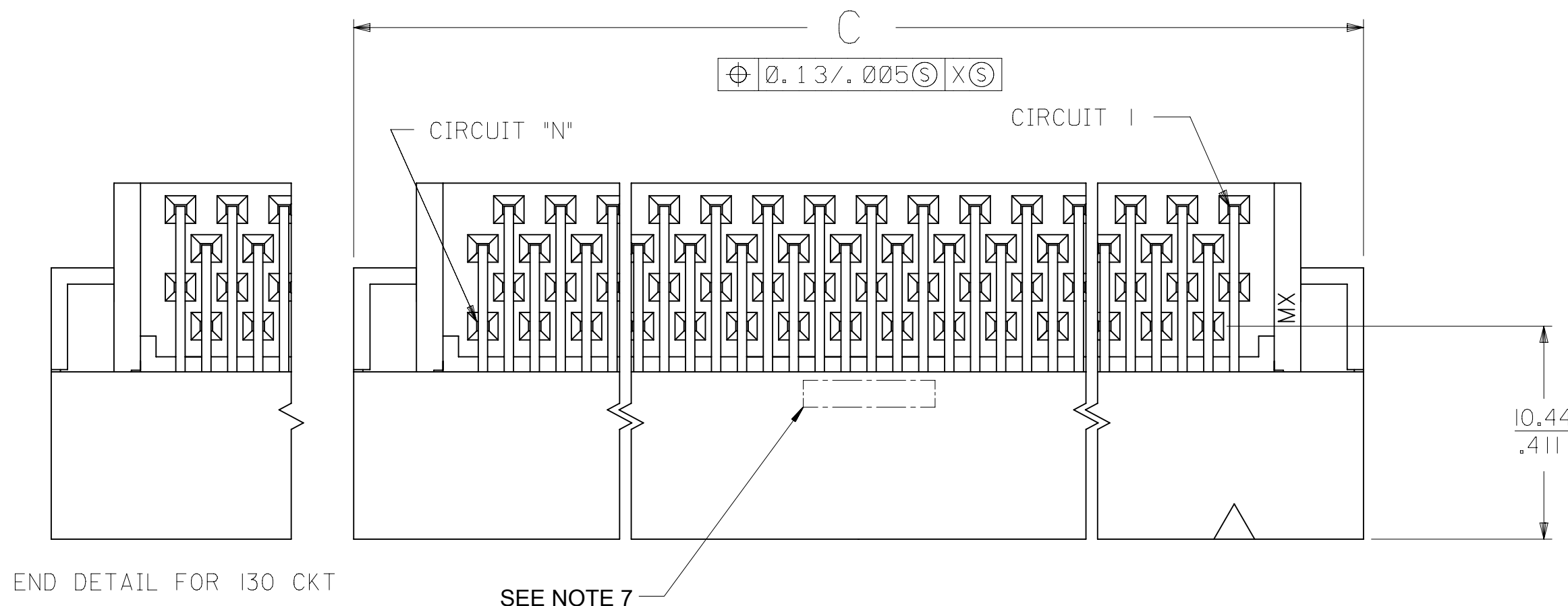
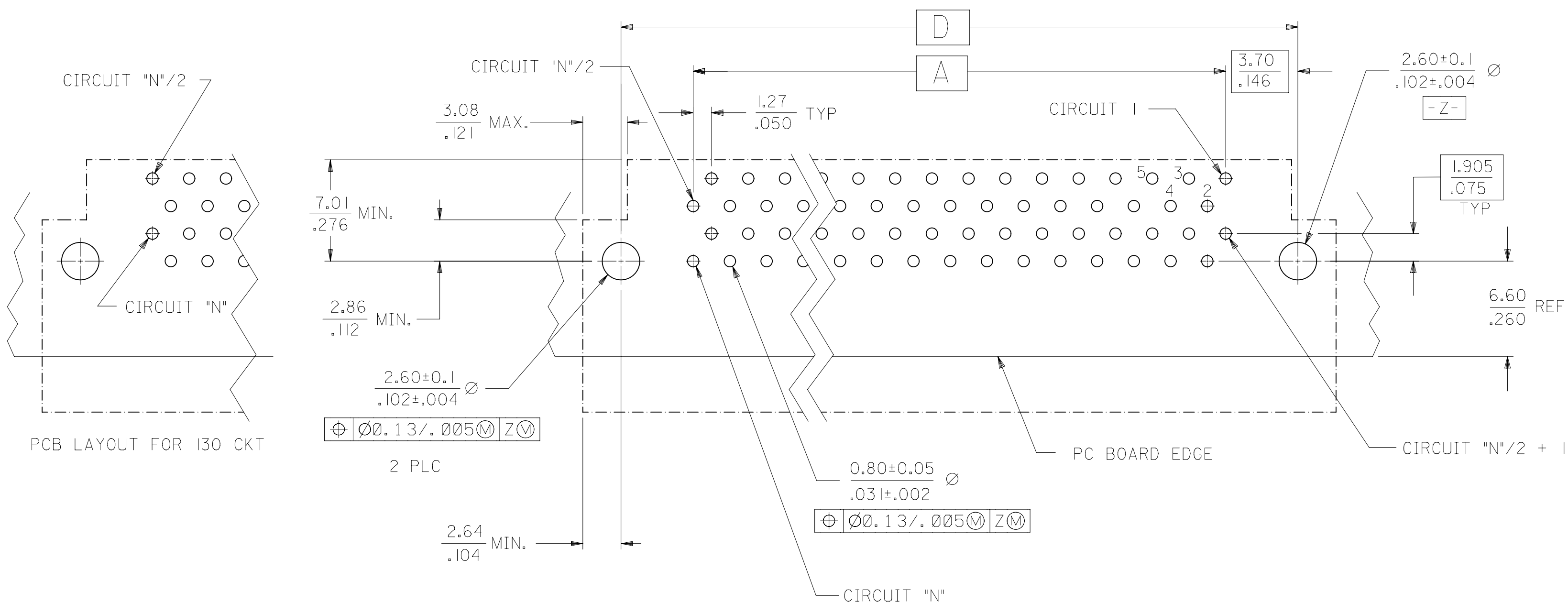


NOTES:

1. MATERIAL:
 HOUSING: LIQUID CRYSTAL POLYMER (LCP), GLASS-FILLED, UL94V-0,
 COLOR: BLACK
 TERMINALS: BRASS
2. FINISH:
 TERMINAL: 0.76 MICROMETERS/30 MICROINCHES MINIMUM SELECTIVE GOLD
 IN CONTACT AREA; 1.27 MICROMETERS/50 MICROINCHES MINIMUM
 SELECTIVE TIN IN THE PC TAIL AREA; NICKEL UNDERPLATE OVERALL.
3. CONFORMS TO PRODUCT SPEC: PS-71660
4. PRODUCT PACKAGED PER PK-70873-084*
5. ASSEMBLY MATES WITH MOLEX P/N SDA-71660-7***
6. RECOMMENDED PC BOARD THICKNESS IS 1.6 MM/.062 IN
7. FOUR DIGIT DATE CODE (WK.YR.) EXAMPLE 26 96 LOCATED IN AREA SHOWN

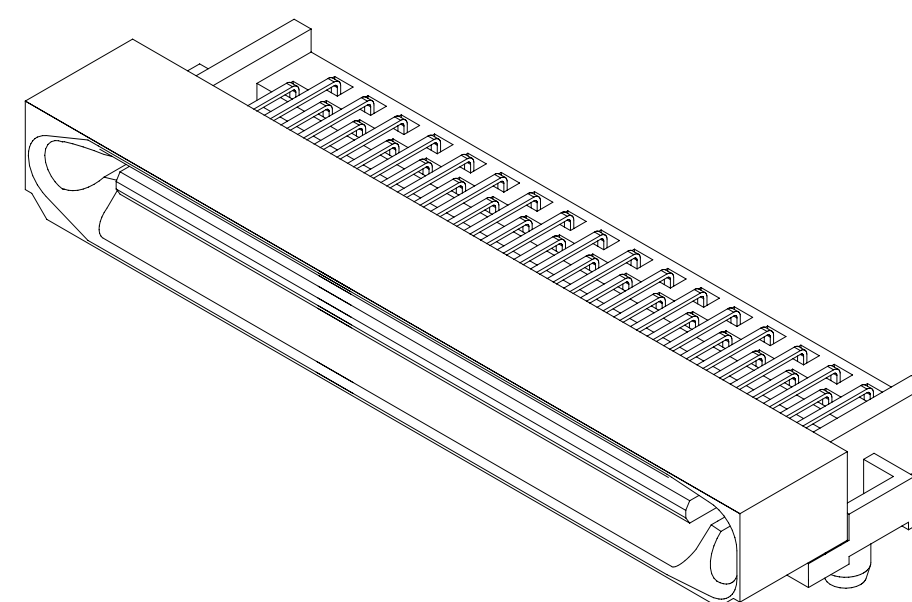


THIS DRAWING CONTAINS INFORMATION THAT IS PROPRIETARY TO MOLEX ELECTRONIC TECHNOLOGIES, LLC AND SHOULD NOT BE USED WITHOUT WRITTEN PERMISSION																																																				
DIMENSION UNITS		SCALE		CURRENT REV DESC: OBSOLETE PART NO																																																
MM/IN		4:1		<table border="0"> <tr> <td colspan="2">GENERAL TOLERANCES (UNLESS SPECIFIED)</td> <td colspan="2">EC NO: 625872</td> <td colspan="2">2019/06/17</td> </tr> <tr> <td>4 PLACES</td> <td>±</td> <td>±</td> <td>DRWN: AKUMAR19</td> <td colspan="2">2019/11/06</td> </tr> <tr> <td>3 PLACES</td> <td>±</td> <td>± 0.01</td> <td>CHK'D: GB</td> <td colspan="2">2019/11/12</td> </tr> <tr> <td>2 PLACES</td> <td>± 0.25</td> <td>±</td> <td>APPR: GGA</td> <td colspan="2">2019/11/12</td> </tr> <tr> <td>1 PLACE</td> <td>±</td> <td>±</td> <td colspan="3">INITIAL REVISION:</td> </tr> <tr> <td>0 PLACES</td> <td>±</td> <td>±</td> <td>DRWN: RAN</td> <td colspan="2">1995/04/26</td> </tr> <tr> <td colspan="2">ANGULAR TOL</td> <td colspan="2">± 0.5 °</td> <td>APPR: CAB</td> <td colspan="2">1995/04/26</td> </tr> </table>						GENERAL TOLERANCES (UNLESS SPECIFIED)		EC NO: 625872		2019/06/17		4 PLACES	±	±	DRWN: AKUMAR19	2019/11/06		3 PLACES	±	± 0.01	CHK'D: GB	2019/11/12		2 PLACES	± 0.25	±	APPR: GGA	2019/11/12		1 PLACE	±	±	INITIAL REVISION:			0 PLACES	±	±	DRWN: RAN	1995/04/26		ANGULAR TOL		± 0.5 °		APPR: CAB	1995/04/26	
GENERAL TOLERANCES (UNLESS SPECIFIED)		EC NO: 625872								2019/06/17																																										
4 PLACES	±	±	DRWN: AKUMAR19							2019/11/06																																										
3 PLACES	±	± 0.01	CHK'D: GB							2019/11/12																																										
2 PLACES	± 0.25	±	APPR: GGA							2019/11/12																																										
1 PLACE	±	±	INITIAL REVISION:																																																	
0 PLACES	±	±	DRWN: RAN	1995/04/26																																																
ANGULAR TOL		± 0.5 °		APPR: CAB	1995/04/26																																															
MOLEX		SALES ASSMBLY EBBI 50D RIGHT ANGLE BLIND MATE PLUG																																																		
PRODUCT CUSTOMER DRAWING																																																				
DOCUMENT NUMBER				DOC TYPE		DOC PART		REVISION																																												
SDA-71661-25XX				PSD		001		M																																												
MATERIAL NUMBER		CUSTOMER		SHEET NUMBER																																																
SEE TABLE		GENERAL MARKET		1 OF 2																																																



RECOMMENDED PC BOARD LAYOUT
 COMPONENT SIDE
 SEE NOTE 6

3.491 (88.67)	3.699 (93.95)	3.320 (84.33)	3.200 (81.28)	.110 (2.79)	130	71661-2513
2.741 (69.63)	2.949 (74.90)	2.570 (65.28)	2.450 (62.23)	.110 (2.79)	100	71661-2511
1.941 (49.31)	2.149 (54.58)	1.770 (44.96)	1.650 (41.91)	.110 (2.79)	68	71661-2568
1.941 (49.31)	2.149 (54.58)	1.770 (44.96)	1.650 (41.91)	.125 (3.18)	68	71661-2518
1.241 (31.53)	1.449 (36.80)	1.070 (27.18)	.950 (24.13)	.110 (2.79)	40	71661-2540
D	C	B	A	E	CKT ("N")	ITEM NUMBER



68 CIRCUIT ASSEMBLY SHOWN
 SCALE 2:1

THIS DRAWING CONTAINS INFORMATION THAT IS PROPRIETARY TO MOLEX ELECTRONIC TECHNOLOGIES, LLC AND SHOULD NOT BE USED WITHOUT WRITTEN PERMISSION									
DIMENSION UNITS MM/IN		SCALE 4:1		CURRENT REV DESC: OBSOLETE PART NO				molex	
GENERAL TOLERANCES (UNLESS SPECIFIED)				EC NO: 625872		2019/06/17			
4 PLACES ±		±		DRWN: AKUMAR19		2019/11/06		SALES ASSMBLY EBBI 50D RIGHT ANGLE BLIND MATE PLUG	
3 PLACES ±		± 0.01		CHK'D: GB		2019/11/12		PRODUCT CUSTOMER DRAWING	
2 PLACES ±		0.25 ±		APPR: GGA		2019/11/12		DOCUMENT NUMBER	
1 PLACE ±		±		INITIAL REVISION:		1995/04/26		SDA-71661-25XX	
0 PLACES ±		±		DRWN: RAN		1995/04/26		DOC TYPE DOC PART REVISION	
ANGULAR TOL ± 0.5 °		± 0.5 °		APPR: CAB		1995/04/26		PSD 001 M	
DRAFT WHERE APPLICABLE MUST REMAIN WITHIN DIMENSIONS		THIRD ANGLE PROJECTION		DRAWING		SERIES		MATERIAL NUMBER	
		C-SIZE		71661		SEE TABLE		CUSTOMER	
						GENERAL MARKET		SHEET NUMBER	
								2 OF 2	