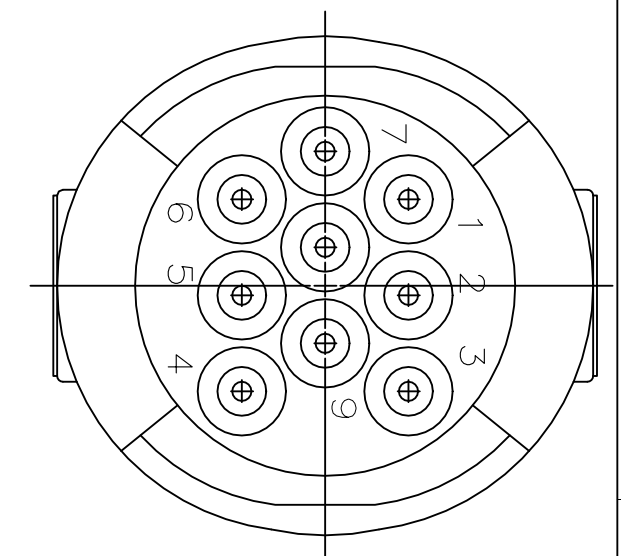
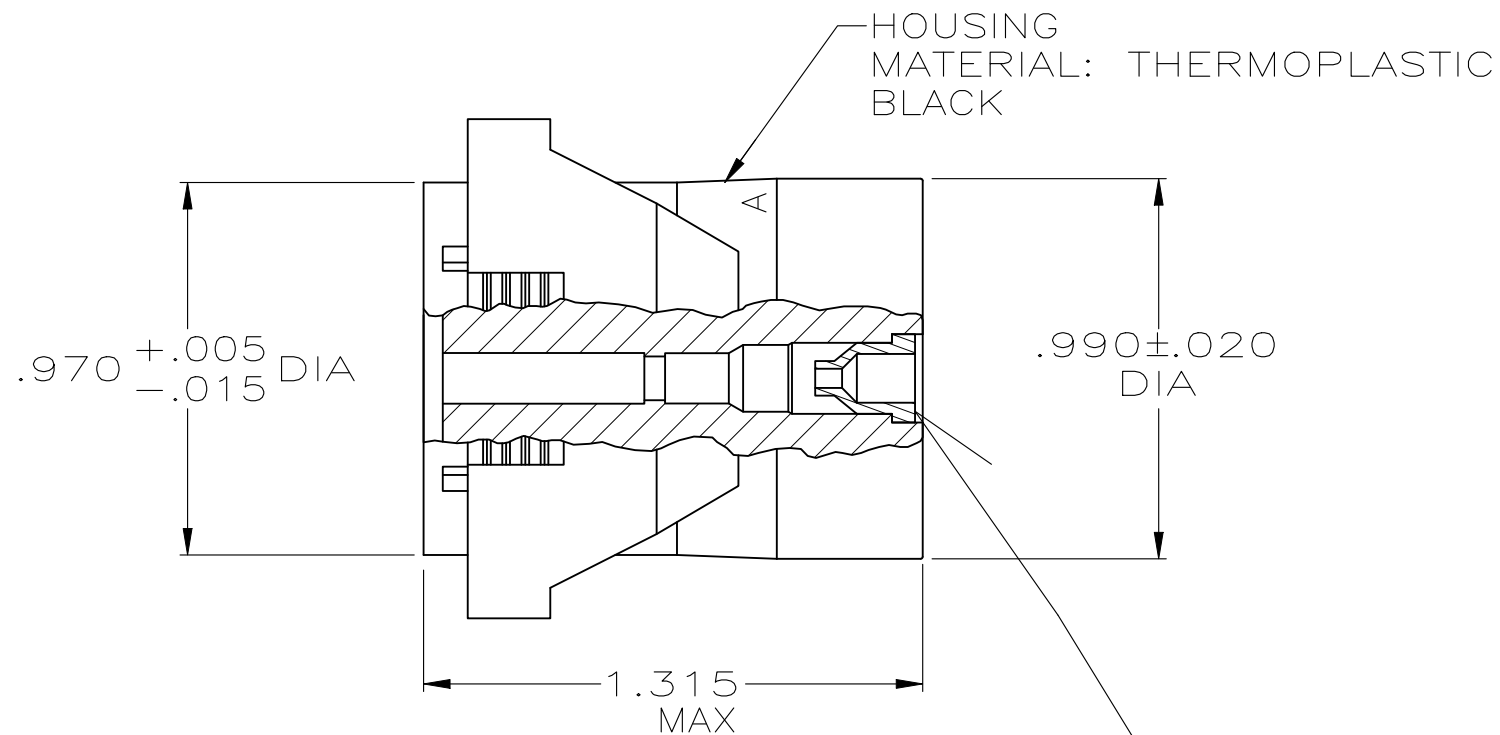
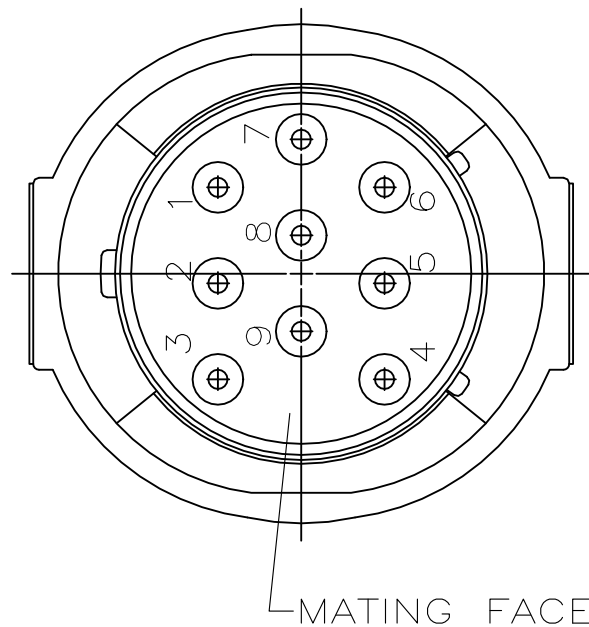


REVISIONS					
P	LTR	DESCRIPTION	DATE	DWN	APVD
	E	PER PCN E-20-018081	11MAR2021	SCK	



1. WIRE INSULATION SEALING RANGE: .070-.115 DIA.
2. MATES WITH 208538-1 OR 208546-1.
3. TOTAL LENGTH OF MATED CONNECTORS IS LESS THAN 2.50 INCHES.
4. THIN MEMBRANE PERMISSIBLE ON SMALL DIAMETER OF WIRE SEALS.

208530-1
PART NUMBER

THIS DRAWING IS A CONTROLLED DOCUMENT.		DWN J GALLUCCI BG 9-6-90	TE Connectivity		
DIMENSIONS: INCHES		CHK -			
		TOLERANCES UNLESS OTHERWISE SPECIFIED:	PLUG, 9 POSITION, STANDARD ECONOSEAL CONNECTOR		
MATERIAL SEE CALLOUT		0 PLC ± - 1 PLC ± - 2 PLC ± - 3 PLC ± - 4 PLC ± - ANGLES ± -	APVD -	PRODUCT SPEC -	APPLICATION SPEC -
FINISH -		WEIGHT 0.000000	SIZE A3	CAGE CODE 00779	DRAWING NO C-208530
CUSTOMER DRAWING			RESTRICTED TO -	SCALE 2:1	SHEET 1 OF 1
			REV E		