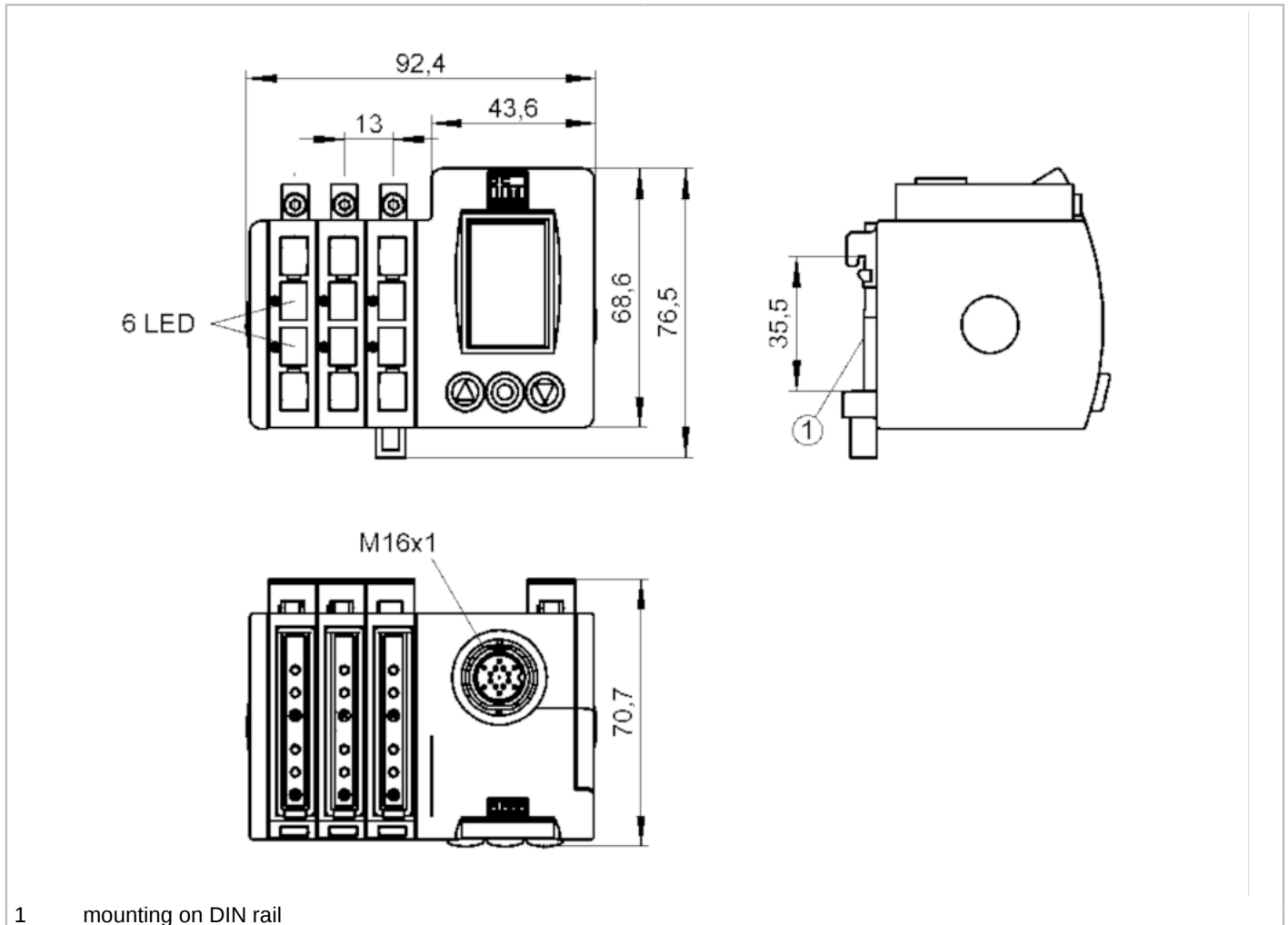


# OO5002



## Fibre-optic amplifier

OO5-FPKG/M16/KL6



1 mounting on DIN rail



Product characteristics	
Type of light	red light
Housing	rectangular
Application	
Special feature	Function check output
Electrical data	
Operating voltage [V]	12...36 DC
Current consumption [mA]	50; ((24 V))
Max. power consumption [VA]	1.2
Protection class	III
Reverse polarity protection	yes
Type of light	red light
Wave length [nm]	630
Outputs	
Electrical design	PNP
Output function	light-on/dark-on mode; (programmable)



## Fibre-optic amplifier

OO-FFPKG/M16/KL6

Max. voltage drop switching output DC	[V]	2
Function check output		yes
Max. current load for function check output	[mA]	200
Permanent current rating of switching output DC	[mA]	200
Switching frequency DC	[Hz]	1000
Notes on switching frequency	[Hz]	typical
Short-circuit protection		yes
Type of short-circuit protection		pulsed
Overload protection		yes
Time function	[s]	0.001...0.1

Detection zone		
Range	[m]	< 3.8; (Through-beam sensor)
Range	[mm]	0...300; (Diffuse reflection sensor)
Range adjustable		yes

Software / programming	
Parameter setting options	automatic and manual switch point setting; logic functions AND, OR; second switch point

Operating conditions		
Ambient temperature	[°C]	-20...60
Protection		IP 65

Tests / approvals		
EMC	EN 60947-5-2	
	EN 55011	class B

Mechanical data		
Weight	[g]	521
Housing		rectangular
Dimensions	[mm]	76.5 x 92.4 x 70.7
Number of channels		6
Fibre optic connection		FE-11 / FT-11
Materials		housing: ABS; display window: PMMA; LED window: SEPS; cover: diecast zinc plastic coated (PA)
Lens alignment		side lens

Displays / operating elements		
Display		full graphic LCD display, rotation of the display by 180° possible language selection (German, English, French)
	switching status	6 x LED, yellow
Electronic lock		yes

Accessories	
Items supplied	rail: 1 x 81 mm, EN 60715

Remarks	
Remarks	operating voltage "supply class 2" according to cULus
Pack quantity	1 pcs.

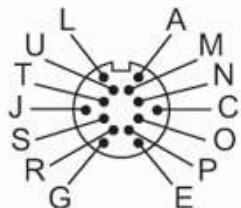


## Fibre-optic amplifier

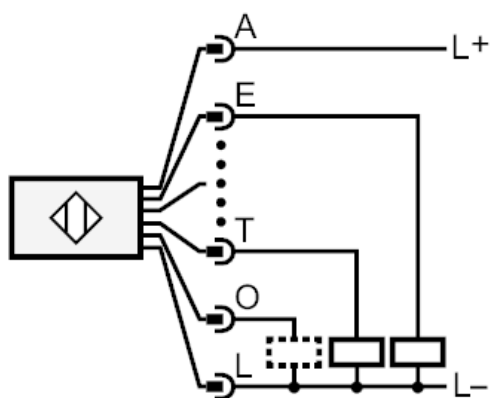
OO5-FPKG/M16/KL6

### Electrical connection

Connector: 1 x M16



### Connection



- E: Out 1
- P: Out 2
- S: Out 3
- G: Out 4
- C: Out 5
- T: Out 6

O Function check output