


**SAC-3P-10,0-PUR/M5FR**

Order No.: 1530537

<http://eshop.phoenixcontact.de/phoenix/treeViewClick.do?UID=1530537>Sensor/Actuator cable, 3-position, PUR, Black RAL 9005, Free  
conductor end, on Socket, angled M5, A-coded, Cable length: 10 m**Commercial data**

GTIN (EAN)	 4 046356 024334
sales group	D130
Pack	1 pcs.
Customs tariff	85444290
Catalog page information	Page 70 (PC-2009)

**Product notes**WEEE/RoHS-compliant since:  
03/06/2006

[http://  
www.download.phoenixcontact.com](http://www.download.phoenixcontact.com)  
Please note that the data given  
here has been taken from the  
online catalog. For comprehensive  
information and data, please refer  
to the user documentation. The  
General Terms and Conditions of  
Use apply to Internet downloads.

**Technical data****General data**

Rated current at 40°C	1 A
Rated voltage	125 V
Number of positions	3
Volume resistance	≤ 3 mΩ
Insulation resistance	≥ 10 GΩ

Length of cable	10 m
-----------------	------

**General characteristics**

Standards/regulations	M5 connector IEC 61076-2-105
Coding	A - standard
Surge voltage category	II
Pollution degree	3
Degree of protection	IP65/IP67
Insertion/withdrawal cycles	≥ 100
Contact material	CuSn
Contact surface material	Au
Contact carrier material	PUR
Material of grip body	PUR
Material, knurls	Nickel-plated brass
Sealing material	NBR
Status display	No
Test voltage	1750 V

**Conductor data**

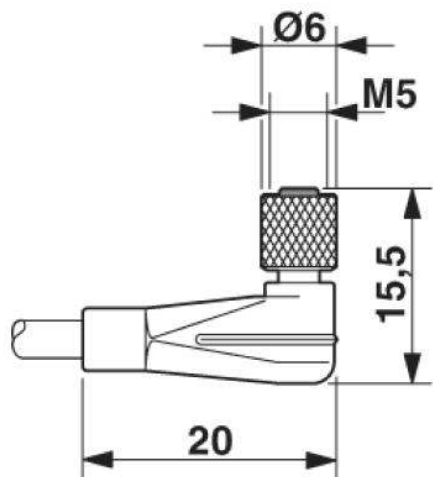
Cable type	PUR/PVC black
Conductor cross section	0.14 mm <sup>2</sup>
AWG signal line	26
Conductor structure signal line	18x 0.10 mm
Core diameter including insulation	1.1 mm
External cable diameter	3.10 mm
Wire colors	Brown, blue, black
External sheath, color	Black RAL 9005
Insulation resistance	100 MΩ*km
Conductor resistance	148 mΩ/m
Nominal voltage, conductor	250 V
Test voltage, conductor	800 V <sub>rms</sub>
Overall twist	3 wires, twisted
Outer sheath, material	PUR
Material conductor insulation	PVC
Conductor material	Bare Cu litz wires
Cable weight	12.9 kg/km

Smallest bending radius, fixed installation	8 mm
Smallest bending radius, movable installation	15 mm

**Diagrams/Drawings**

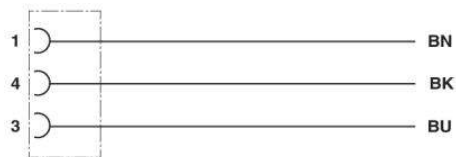
Dimensioned drawing

Socket M5 x 0.5, angled



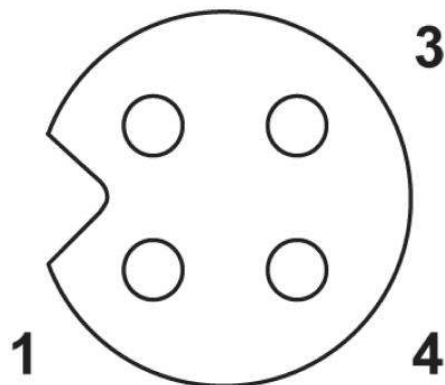
Circuit diagram

Contact assignment of the M5 socket



Schematic diagram

Socket M5, 3-pos.



**Address**

PHOENIX CONTACT Deutschland GmbH  
Flachmarktstr. 8  
32825 Blomberg, Germany  
Phone +49 5235 3 12000  
Fax +49 5235 3 41200  
<http://www.phoenixcontact.de>



© 2011 Phoenix Contact  
Technical modifications reserved;