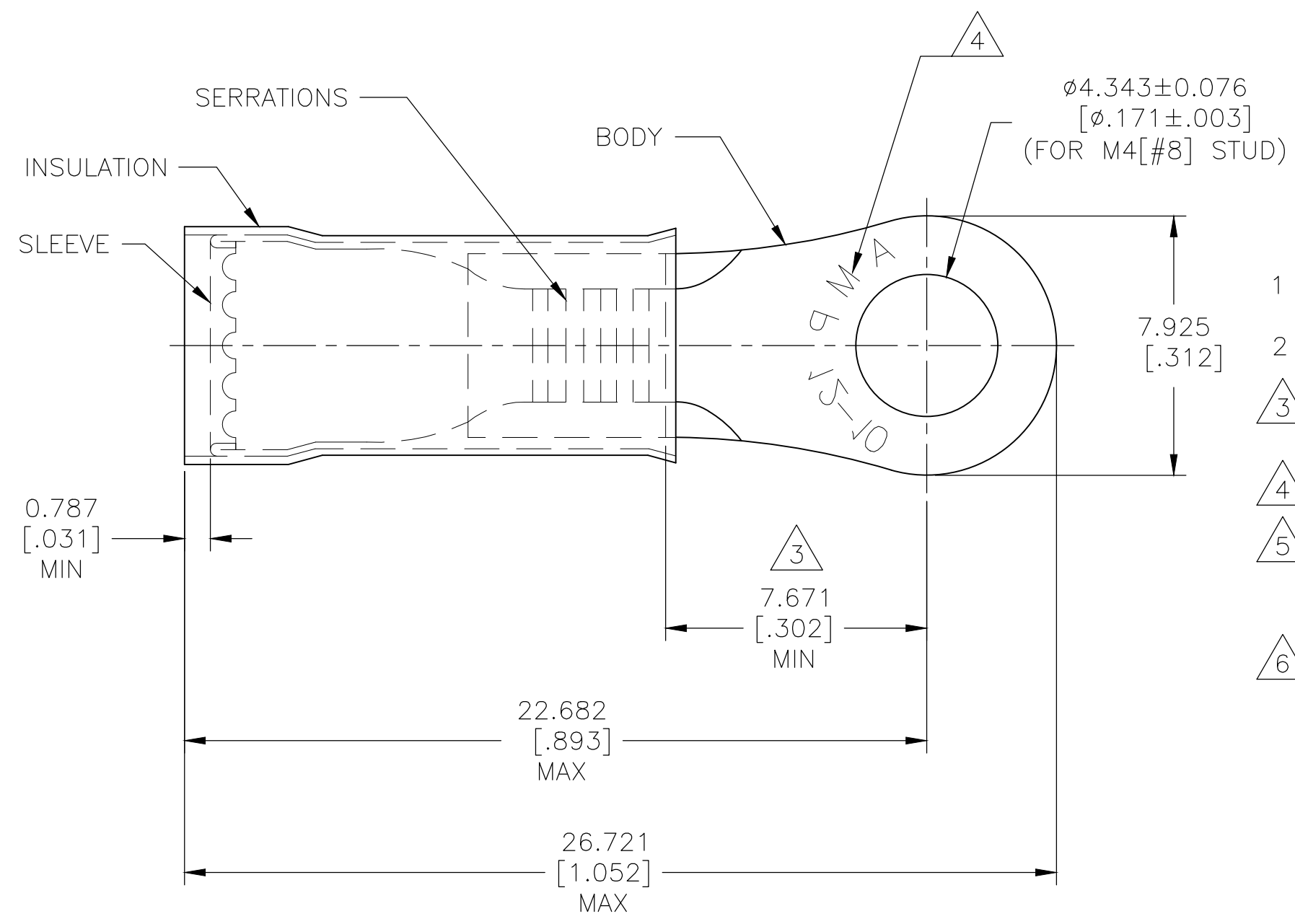


THIS DRAWING IS UNPUBLISHED. RELEASED FOR PUBLICATION
 © COPYRIGHT - TE Connectivity Ltd. ALL RIGHTS RESERVED.

REVISIONS					
P	LTR	DESCRIPTION	DATE	DWN	APVD
	G1	REVISED PER ECR-09-017960	27AUG09	HMR	JR
	G2	REVISED PER ECO-17-007400	28NOV2017	RS	DR
	G3	REVISED PER ECO-19-010629	12FEB2020	RK	DR

AMP WIRE RANGE	E13288 Listed	LR7189 Certified
12-10 AWG SOLID OR STRANDED	12-10 AWG SOLID OR STRANDED	12-10 AWG SOLID OR STRANDED



- 1 FOR Ø3.810[Ø.150] TO Ø5.842[Ø.230] WIRE INSULATION.
- 2 BODY MATERIAL THK: 1.016±0.051[.040±.002]
- 3 APPLIES FROM EDGE OF METAL WIRE BARREL TO CENTER OF STUD HOLE.
- 4 STAMP AMP 12-10* APPROX AS SHOWN.
- 5 MATERIAL:
BODY & SLEEVE: COPPER PER (ASTM-B152)
INSULATION: NYLON.
- 6 FINISH:
BODY & SLEEVE: TIN PLATED 0.000254[.000100]
MIN EXT. THK. PER (ASTM-B545)
INSULATION: COLOR-YELLOW.

500	LOOSE PIECE	324915
QTY	PACKAGE TYPE	PART NO

AMP INCORPORATED
 CUSTOMER SERVICE SYSTEMS

THIS DRAWING IS A CONTROLLED DOCUMENT.

DWN	RAGHAVENDRA	27AUG09
CHK	JEFF RUTH	27AUG09
APVD	TOM MICHIELUTTI	27AUG09
PRODUCT SPEC	UL 486 A-B	
APPLICATION SPEC	114-2157	
WEIGHT	-	



WIRE TERMINAL, PIDG, RING TONGUE
 WIRE SIZE: 12-10 AWG

FOR ADDITIONAL PRODUCT INFORMATION OR COPIES OF DRAWINGS AND TECHNICAL DOCUMENTS	PRODUCT INFORMATION CENTER 1-800-522-6752
FOR APPLICATION TOOLING INFORMATION	TOOLING ASSISTANCE CENTER 1-800-722-1111
FOR ORDER ENTRY	1-800-526-5142

MAX RECOMMENDED OPERATING TEMPERATURE: 105°C [221°F] MAX
VOLTAGE RATING: 300 V MAX
WIRE CROSS SECTIONAL AREA RANGE, 2.62-6.64mm²[5,180-13,100] SOLID OR STRANDED

DIMENSIONS: mm [INCHES]	TOLERANCES UNLESS OTHERWISE SPECIFIED:
	0 PLC ± -
	1 PLC ± -
	2 PLC ± -
	3 PLC ± .127[.005]
	4 PLC ± -
	ANGLES ± 5°
MATERIAL	FINISH
5	6

NAME	WIRE TERMINAL, PIDG, RING TONGUE		
SIZE	CAGE CODE	DRAWING NO	RESTRICTED TO
A3	00779	C-324915	-
CUSTOMER DRAWING		SCALE 6:1	SHEET 1 OF 1 REV G3