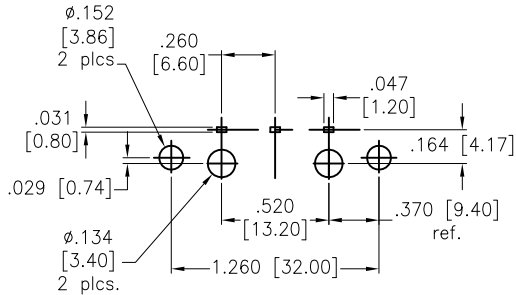
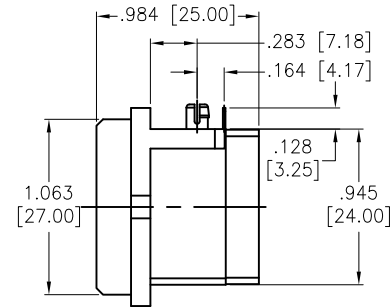
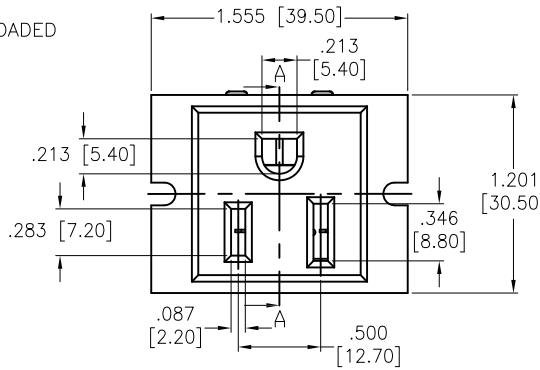
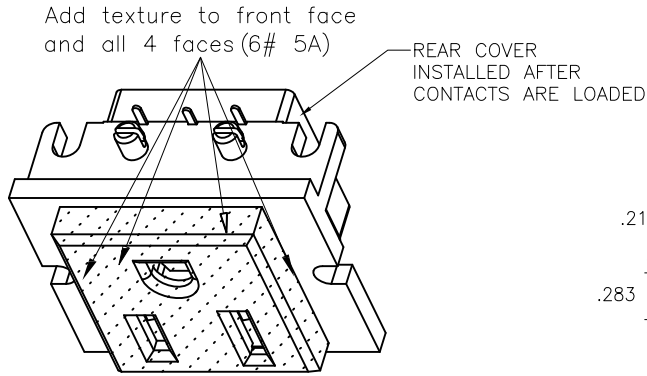
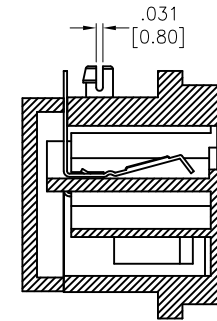
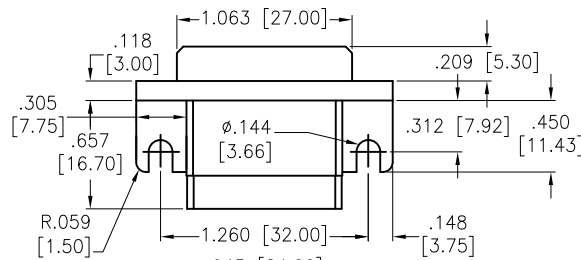


APPROVED: _____
 DATE: _____ TITLE: _____

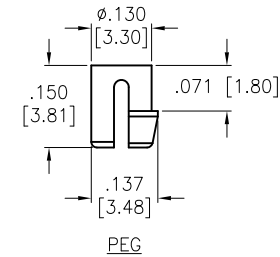
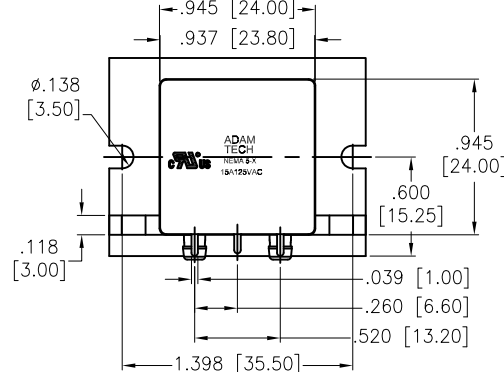
Rev	AWO #	Description	Date	Appr
C	AN4860	UPDATED SHAPE	4/8/15	HR/TW
D	AN4860	UPDATED TERMINAL THICKNESS	07/24/15	TW/SS



RECOMMENDED PCB LAYOUT



SECTION A-A



PEG

SPECIFICATIONS:

Material:
 Insulator: Nylon 66, rated UL94V-0
 Insulator color: Black
 Contacts: Phosphor Bronze, C5191, T=0.5mm
 Plating:
 100u" min Matte Tin on PCB tails, 80u" Min. Nickel on balance of contact, 50u" Min Copper underplate overall.
Electrical:
 Operating voltage: 125 VAC
 Current rating: UL 15 Amps max.
 Contact Resistance: 30 milli ohms max
 Insulation resistance: 100 Mega ohms min. @ 500 VDC
 Dielectric withstanding voltage: 2,000 VAC for 1 minute
 Leakage current shall not exceed 5 micro amps at 125VAC/60Hz
Mechanical:
 Durability: 500 Mating Cycles Min.
 Insertion force: 10 kgf Max.
 Extraction force: 1.5~5 kgf Min.
Environmental:
 Operating Temperature: -40°C to +70°C
 Lead free, RoHS Compliant
 Safety Agency Certifications:
 UL recognized under UL 498 specifications



UNLESS OTHERWISE SPECIFIED
 ALL DIMENSIONS ARE INCHES [MM]
 TOLERANCES: EXCEPT AS NOTED

INCHES		HOLES	
.X	± .10	∅X	± .10
.XX	± .020	∅XX	± .015
.XXX	± .015	∅XXX	± .010

ADAM TECH

909 Rahway Avenue, Union, NJ 07083
 Phone: 908-687-5000 Fax: 908-687-5710

APPROVALS		DATE
DRAWN	SS	8/15/14
CHECKED	TW	8/15/14
APPROVED		

TITLE		
NEMA 5-15R RECEPTACLE, FLANGED, RIGHT ANGLE PC MOUNT		
SIZE	PART NO.	REV.
X	NEMA-5-3-RA-AN4860-1-065	D
REF:	S00087C	SCALE: NTS
		SHEET 1 OF 1