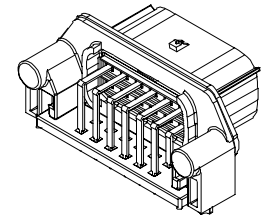
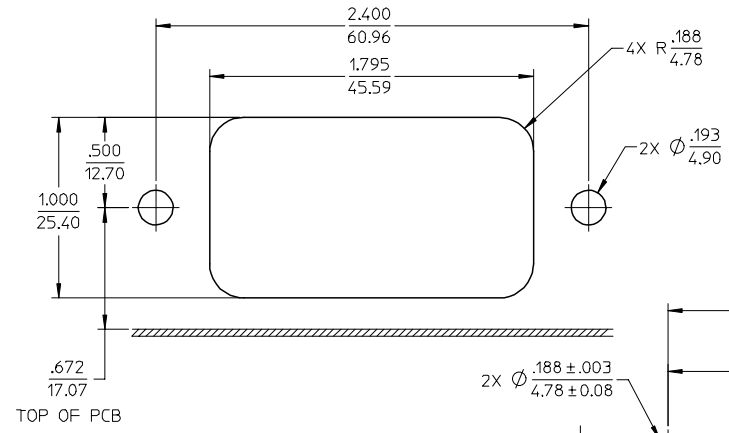
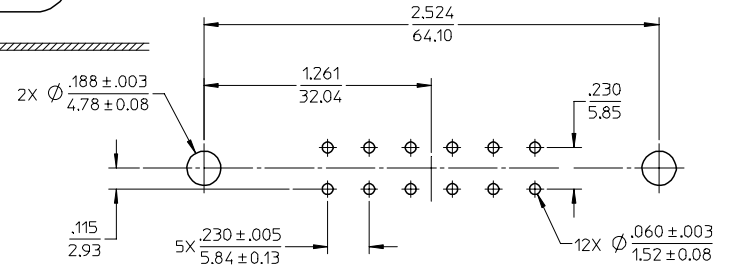
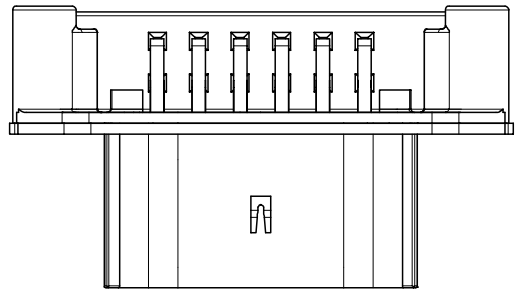


13 12 11 10 9 8 7 6 5 4 3 2 1

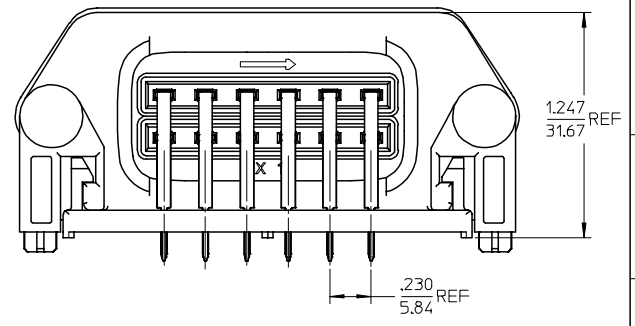
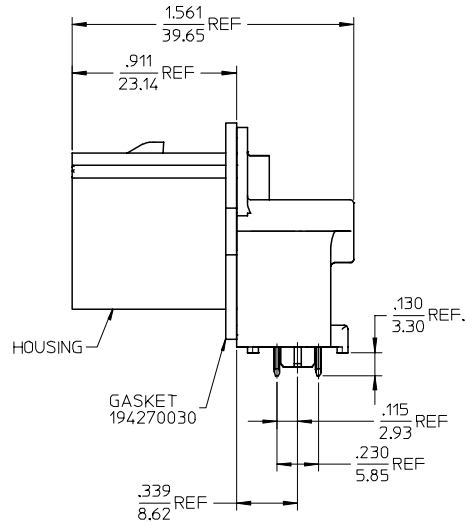
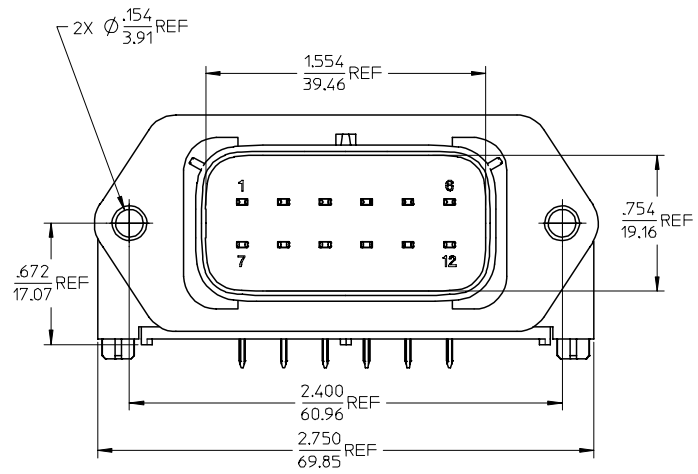
RECOMMENDED PANEL MOUNT OPENING  
MAX PANEL THK .080/2.03



ASSEMBLED VIEW  
1:1 SCALE



RECOMMENDED PCB LAYOUT  
COMPONENTS SIDE  
TOLERANCES ARE NON-ACCUMULATIVE



NOTES:

- MATERIALS:  
HOUSING: POLYESTER (PBT), GLASS FILLED, UL94 V-0, COLOR: BLACK  
TERMINALS: COPPER ALLOY
- FINISHES: 1. TIN ONLY: 100µIN TIN OVER 50µIN NICKEL  
2. TIN/GOLD: 30µIN SELECT GOLD (CONTACT MATING AREA), 100µIN SELECT TIN (PCB TAIL AREA) OVER 50µIN NICKEL OVERALL.
- PRODUCT SPECIFICATION: PS-19427-001.
- PACKAGING SPECIFICATION: PK-19427-001.
- MATES WITH: 19418 SERIES RECEPTACLE ASSEMBLIES.
- RECOMMENDED MOUNTING HARDWARE: (2) #10 X .62/18.9 LONG PLASTIC THREAD CUTTING SCREWS. RECOMMENDED TORQUE 15-17 IN-LBS. SUGGESTED SOURCE: ITW SHAKEPROOF INDUSTRIAL BOSSCREW OR EQUIVALENT.

MATERIAL NO.	TERMINAL PLATING
194270012	TIN
194270103	TIN/GOLD

REVISED	DESCRIPTION
EC NO: ETC2006-0028	
DRWN: JPAWLCK 2005/10/10	
CHKD: JPAWLCK1 2005/10/11	
APPR: RDEROSS 2005/10/11	

QUALITY SYMBOLS	GENERAL TOLERANCES (UNLESS SPECIFIED)	
	mm	INCH
▽=0	4 PLACES ± ---	± ---
▽=0	3 PLACES ± ---	± .015
	2 PLACES ± 0.38	± ---
	1 PLACE ± ---	± ---
	ANGULAR ± 1 °	

DIMENSION STYLE		SCALE	DESIGN UNITS
IN/MM		2:1	INCH
DRAWN BY	DATE	TITLE	
BRUPERT	04/07/28	12 WAY RIGHT ANGLE HEADER ASSEMBLY	
CHECKED BY	DATE		
JPAWLCK1	04/07/28		
APPROVED BY	DATE		
RDEROSS	04/07/28		

MATERIAL NO.		DOCUMENT NO.	
194270103		SD-19427-024	
TERMINAL PLATING		SHEET NO.	
TIN		1 OF 1	
TIN/GOLD			

DRAFT WHERE APPLICABLE  
MUST REMAIN  
WITHIN DIMENSIONS

SEE CHART

THIS DRAWING CONTAINS INFORMATION THAT IS PROPRIETARY TO MOLEX INCORPORATED AND SHOULD NOT BE USED WITHOUT WRITTEN PERMISSION

12 11 10 9 8 7 6 5 4 3 2 1