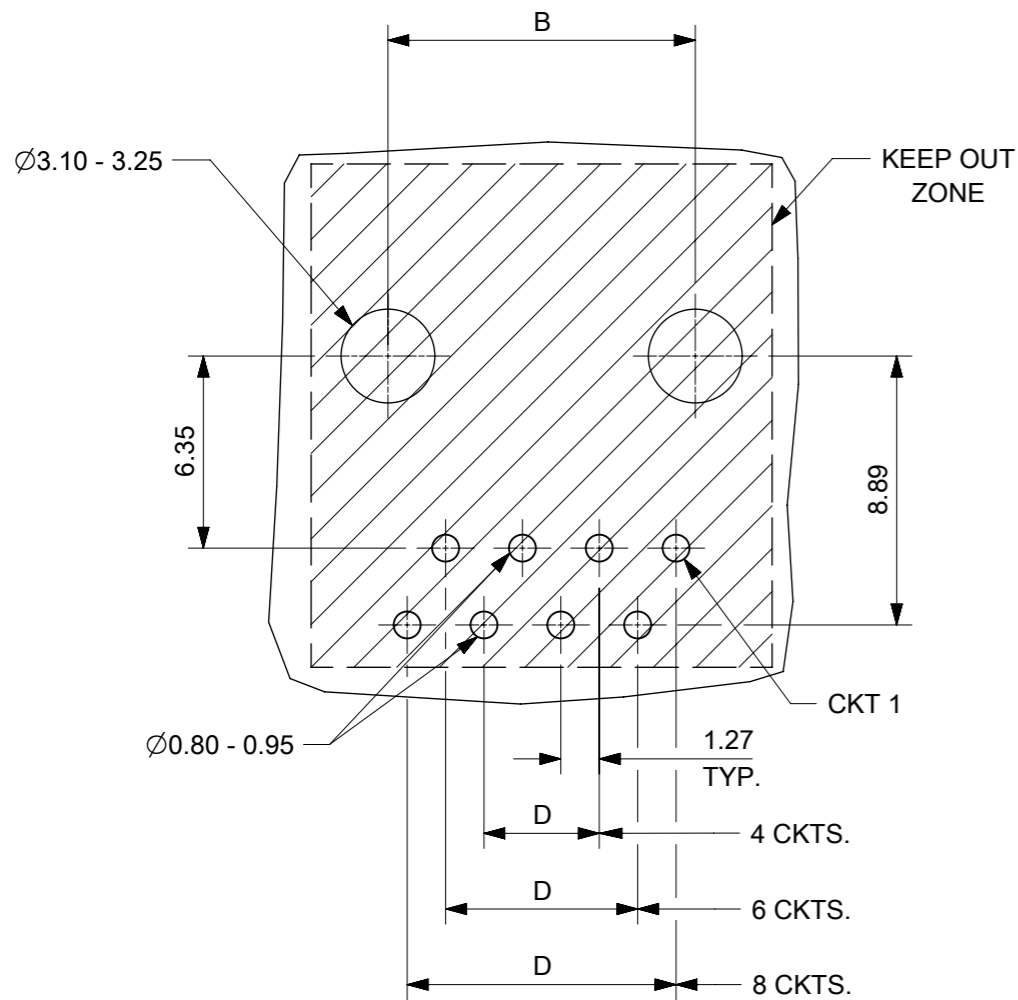


**NOTES:**

1. **MATERIAL:**  
 HOUSING: LCP FIBER GLASS FILLED 94-V0 COLOR BLACK  
 TERMINAL: COPPER ALLOY PLATED WITH:  
 BASE FINISH: NICKEL  
 CONTACT SURFACE FINISH:  
 GOLD  
 OR  
 GOLD FLASH OVER PALLADIUM NICKEL  
 EXCEEDS PRODUCT REQUIREMENTS BASED ON PS-95522-002
2. PC BOARD THICKNESS: 1.57
3. JACK FOR MATING WITH IEC 60603-7 AND TIA-1096-A PLUGS
4. PRODUCT SPECIFICATION PS-95522-002.
5. APPLICATION SPECIFICATION AS-85513-001
6. PACKAGING SPECIFICATION PK-95022. (SHT. 1 TRAY PACKAGING)  
 PK-95022. (SHT. 2 TUBE PACKAGING)
7. FOR ILLUSTRATION PURPOSES A 4 CIRCUIT IS SHOWN
8. PACKAGING SPECIFICATION RPK-95022-001 (TUBE PACKAGING)
9. MANUFACTURING I.D. CAN BE EITHER MG, MXF, MXI OR MXCH.

LAST INSPECTION NUMBER: 19

THIS DRAWING CONTAINS INFORMATION THAT IS PROPRIETARY TO MOLEX ELECTRONIC TECHNOLOGIES, LLC AND SHOULD NOT BE USED WITHOUT WRITTEN PERMISSION		CURRENT REV DESC: REMASTERED USING 3D MODELS		<b>molex</b>	
DIMENSION UNITS	SCALE	EC NO: 686851			
mm	5:1	DRWN: SANTHN 2021/06/10		PRODUCT CUSTOMER DRAWING	
GENERAL TOLERANCES (UNLESS SPECIFIED)		CHK'D: KLANG 2022/01/13		DOCUMENT NUMBER	
ANGULAR TOL ± 2.0°		APPR: KLANG 2022/01/13		SD-95522-001	
4 PLACES ±		INITIAL REVISION:		DOC TYPE	DOC PART
3 PLACES ±		DRWN: KNOLLER 2004/09/01		PSD	002
2 PLACES ± 0.25		APPR: KNOLLER 2004/09/09		REVISION	G1
1 PLACE ± 0.35		DRAFT WHERE APPLICABLE MUST REMAIN WITHIN DIMENSIONS		SHEET NUMBER	
0 PLACES ±		THIRD ANGLE PROJECTION	DRAWING	MATERIAL NUMBER	CUSTOMER
			A3-SIZE	SEE CHART	GENERAL MARKET
			SERIES		
			95522		1 OF 2



**MOUNTING HOLE PATTERNS**  
(SEE FROM COMPONENT SIDE  
ALL DIMENSIONS REF DIMENSIONS)

PART NUMBERS FOR JACK WITH RIBS									
TYPE	PACKAGING	POS. 4	TOOLED	POS. 6	TOOLED	POS. 6	TOOLED	POS. 8	TOOLED
		4 CKTS.		4 CKTS.		6 CKTS.		8 CKTS.	
	TRAY	95522-2447	X	95522-2647	X	95522-2667	X	95522-2887	X
	TUBE					95522-2617 SEE NOTE 8 SH. 1	X		

PART NUMBERS FOR JACK WITHOUT RIBS					
TYPE	PACKAGING	POS. 6	TOOLED	POS. 8	TOOLED
		6 CKTS.		8 CKTS.	
	TRAY	95522-2661	X	95522-2881	
	TUBE	95522-2611	X		

DIM. \ TYPE	POS. 4	POS. 6		POS. 8
	4 CKTS.	4 CKTS.	6 CKTS.	8 CKTS.
A	11.18	13.21	13.21	15.24
B	7.62	10.16	10.16	11.43
(WITH RIBS)	14.00	16.00	16.00	18.00
C				
D	3.81	3.81	6.35	8.89
H	7.82	9.88	9.88	11.94
J	5.64	6.70	6.70	6.30
K	3.07	4.06	4.06	4.06

THIS DRAWING CONTAINS INFORMATION THAT IS PROPRIETARY TO MOLEX ELECTRONIC TECHNOLOGIES, LLC AND SHOULD NOT BE USED WITHOUT WRITTEN PERMISSION											
DIMENSION UNITS	SCALE	CURRENT REV DESC: REMASTERED USING 3D MODELS									
mm	4:1	<b>HIGH PROFILE TOP ENTRY JACK</b>									
GENERAL TOLERANCES (UNLESS SPECIFIED)											
ANGULAR TOL	± 2.0°	<b>PRODUCT CUSTOMER DRAWING</b>									
4 PLACES	±										
3 PLACES	±	EC NO: 686851 DRWN: SANTHN 2021/06/10 CHK'D: KLANG 2022/01/13 APPR: KLANG 2022/01/13									
2 PLACES	± 0.25										
1 PLACE	± 0.35	INITIAL REVISION: DRWN: KNOLLER 2004/09/01 APPR: KNOLLER 2004/09/09									
0 PLACES	±										
DRAFT WHERE APPLICABLE MUST REMAIN WITHIN DIMENSIONS		THIRD ANGLE PROJECTION	DRAWING	SERIES	MATERIAL NUMBER	CUSTOMER		DOCUMENT NUMBER	DOC TYPE	DOC PART	REVISION
			A3-SIZE	95522	SEE CHART	GENERAL MARKET		SD-95522-001	PSD	002	G1
DOCUMENT STATUS		P1	RELEASE DATE	2022/01/13 15:12:58							
FORMAT: master-b-prod-A3											
REVISION: J											
DATE: 2020/01/14											