



Smart High-Side Power Switch for Industrial Applications

One Channel: 60mΩ Status Feedback

Product Summary

| | | |
|-----------------------|--------------|---------------|
| On-state Resistance | R_{ON} | 60mΩ |
| Operating Voltage | $V_{bb(ON)}$ | 4.75...41V |
| Nominal load current | $I_{L(NOM)}$ | 7.0A |
| Current limitation | $I_{L(SCr)}$ | 17A |
| Operating temperature | T_a | -30 ... +85°C |

Package



Green Product (RoHS compliant)

General Description

- N channel vertical power MOSFET with charge pump, ground referenced CMOS compatible input and diagnostic feedback, monolithically integrated in Smart SIPMOS® technology.
- Providing embedded protective functions

Applications

- μC compatible high-side power switch with diagnostic feedback for 5V, 12V and 24V grounded loads in industrial applications
- All types of resistive, inductive and capacitive loads
- Most suitable for loads with high inrush currents, so as lamps
- Replaces electromechanical relays, fuses and discrete circuits

Basic Functions

- Very low standby current
- CMOS compatible input
- Improved electromagnetic compatibility (EMC)
- Fast demagnetization of inductive loads
- Stable behaviour at undervoltage
- Wide operating voltage range
- Logic ground independent from load ground

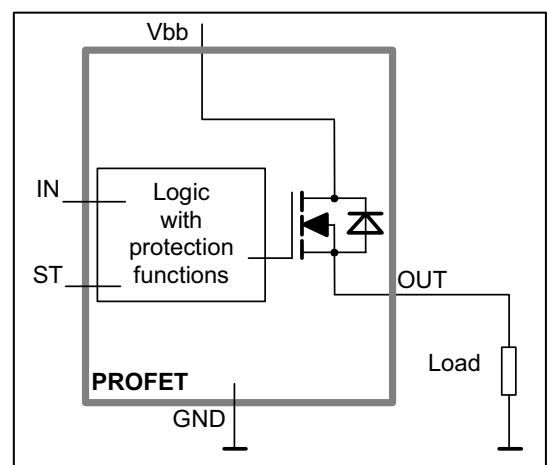
Protection Functions

- Short circuit protection
- Overload protection
- Current limitation
- Thermal shutdown
- Overvoltage protection (including load dump) with external resistor
- Reverse battery protection with external resistor
- Loss of ground and loss of V_{bb} protection
- Electrostatic discharge protection (ESD)

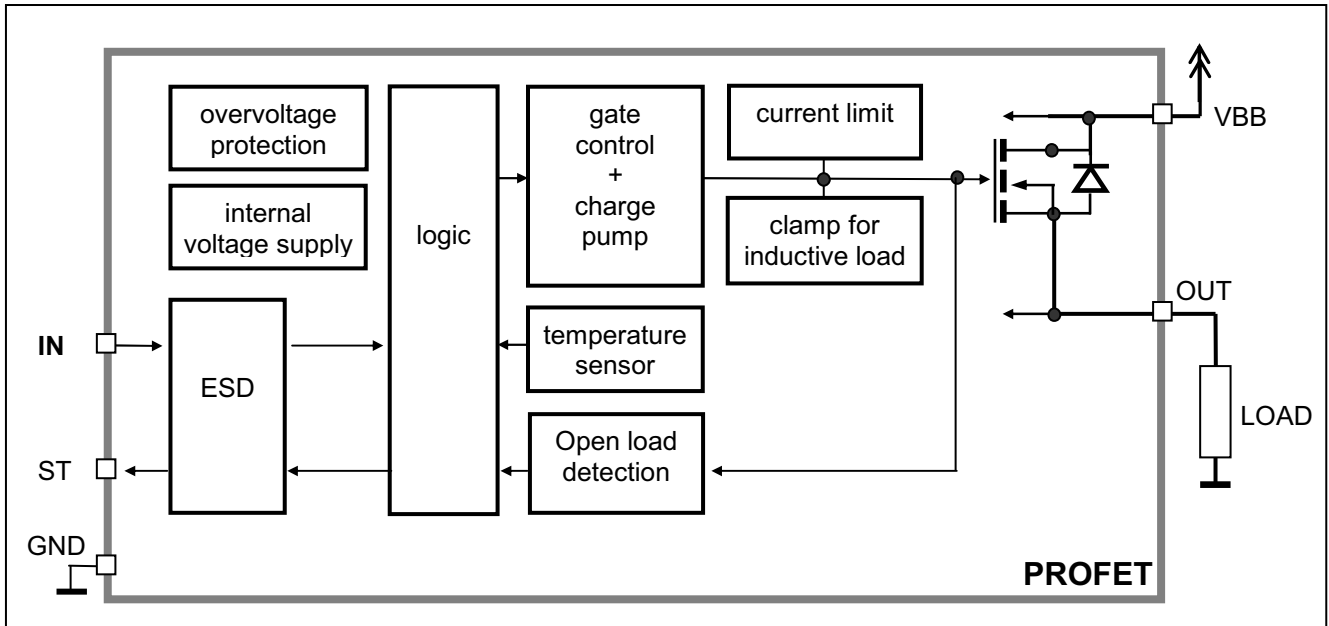
Diagnostic Function

- Diagnostic feedback with open drain output
- Open load detection in ON-state
- Feedback of thermal shutdown in ON-state

Block Diagram



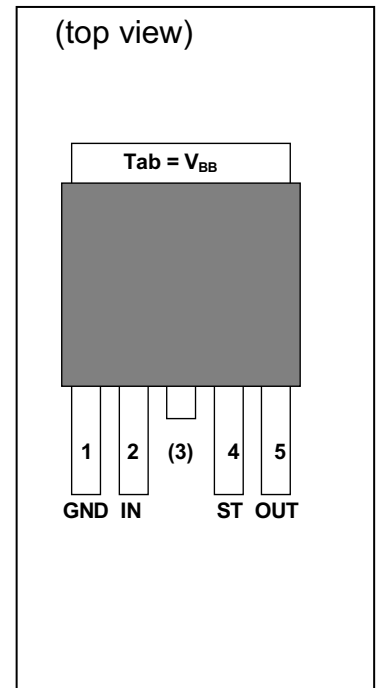
Functional diagram



Pin Definitions and Functions

| Pin | Symbol | Function |
|-----|-----------------|--|
| 1 | GND | Logic ground |
| 2 | IN | Input , activates the power switch in case of logical high signal |
| 3 | V _{bb} | Positive power supply voltage The tab is shorted to pin 3 |
| 4 | ST | Diagnostic feedback , low on failure |
| 5 | OUT | Output to the load |
| Tab | V _{bb} | Positive power supply voltage The tab is shorted to pin 3 |

Pin configuration



Maximum Ratings at $T_j = 25\text{ °C}$ unless otherwise specified

| Parameter | Symbol | Values | Unit |
|--|---------------------------|-------------------|------|
| Supply voltage (overvoltage protection see page 4) | V_{bb} | 43 | V |
| Supply voltage for full short circuit protection $T_{j\text{ Start}} = -40 \dots +150\text{ °C}$ | V_{bb} | 24 | V |
| Load dump protection ¹⁾ $V_{\text{LoadDump}} = V_A + V_S$, $V_A = 13.5\text{ V}$ $R_1^2 = 2\ \Omega$, $R_L = 4.0\ \Omega$, $t_d = 200\text{ ms}$, IN= low or high | $V_{\text{Load dump}}^3)$ | 60 | V |
| Load current (Current limit, see page 5) | I_L | self-limited | A |
| Junction temperature | T_j | 150 | °C |
| Operating temperature range | T_a | -30 ... +85 | |
| Storage temperature range | T_{stg} | -40 ... +105 | |
| Power dissipation (DC), $T_C \leq 25\text{ °C}$ | P_{tot} | 75 | W |
| Maximal switchable inductance, single pulse $V_{bb} = 12\text{ V}$, $T_{j,\text{start}} = 150\text{ °C}$, $T_C = 150\text{ °C}$ const. (See diagram on page 9) $I_L(\text{ISO}) = 7\text{ A}$, $R_L = 0\ \Omega$; $E^4)_{\text{AS}} = 0.19\text{ J}$: | Z_L | 5.6 | mH |
| Electrostatic discharge capability (ESD) IN: (Human Body Model) ST: out to all other pins shorted: acc. MIL-STD883D, method 3015.7 and ESD assn. std. S5.1-1993; $R = 1.5\text{ k}\Omega$; $C = 100\text{ pF}$ | V_{ESD} | 1.0 4.0 8.0 | kV |
| Input voltage (DC) | V_{IN} | -10 ... +16 | V |
| Current through input pin (DC) | I_{IN} | ± 2.0 | mA |
| Current through status pin (DC) see internal circuit diagrams page 8 | I_{ST} | ± 5.0 | |

Thermal Characteristics

| Parameter and Conditions | Symbol | Values | | | Unit |
|---------------------------------|-------------------|--------|-----|------|------|
| | | min | typ | max | |
| Thermal resistance chip - case: | R_{thJC} | -- | -- | 1.67 | K/W |
| junction - ambient (free air): | R_{thJA} | -- | -- | 75 | |
| device on pcb ⁵⁾ : | | -- | 42 | -- | |

¹⁾ Supply voltages higher than $V_{bb(\text{AZ})}$ require an external current limit for the GND and status pins (a 150 Ω resistor for the GND connection is recommended).

²⁾ R_1 = internal resistance of the load dump test pulse generator

³⁾ $V_{\text{Load dump}}$ is setup without the DUT connected to the generator per ISO 7637-1 and DIN 40839



⁴⁾ E_{AS} is the maximum inductive switch-off energy

⁵⁾ Device on 50mm*50mm*1.5mm epoxy PCB FR4 with 6cm² (one layer, 70 μm thick) copper area for V_{bb} connection. PCB is vertical without blown air.

Electrical Characteristics

| Parameter and Conditions at $T_j = -40 \dots +150^\circ\text{C}$, $V_{bb} = 12\text{ V}$ unless otherwise specified | Symbol | Values | | | Unit |
|---|--------|--------|-----|-----|------|
| | | min | typ | max | |

Load Switching Capabilities and Characteristics

| | | | | | |
|--|------------------|-----|-----------|-----------|------------------------|
| On-state resistance (pin 3 to 5) $I_L = 2\text{ A}$; $V_{BB} \geq 7\text{ V}$ $T_j = 25^\circ\text{C}$: $T_j = 150^\circ\text{C}$: see diagram, page 10 | R_{ON} | -- | 50 100 | 60 120 | $\text{m}\Omega$ |
| Nominal load current, (pin 3 to 5) ISO 10483-1, 6.7: $V_{ON} = 0.5\text{ V}$, $T_C = 85^\circ\text{C}$ | $I_{L(ISO)}$ | 5.8 | 7.0 | -- | A |
| Output current (pin 5) while GND disconnected or GND pulled up ⁶⁾ , $V_{bb} = 30\text{ V}$, $V_{IN} = 0$, see diagram page 8 | $I_{L(GNDhigh)}$ | -- | -- | 2 | mA |
| Turn-on time IN  to 90% V_{OUT} : $R_L = 12\ \Omega$, | t_{on} | 30 | 100 | 200 | μs |
| Turn-off time IN  to 10% V_{OUT} : $R_L = 12\ \Omega$, | t_{off} | 30 | 100 | 200 | μs |
| Slew rate on 10 to 30% V_{OUT} , $R_L = 12\ \Omega$, | dV/dt_{on} | 0.1 | -- | 1 | $\text{V}/\mu\text{s}$ |
| Slew rate off 70 to 40% V_{OUT} , $R_L = 12\ \Omega$, | $-dV/dt_{off}$ | 0.1 | -- | 1 | $\text{V}/\mu\text{s}$ |

Operating Parameters

| | | | | | |
|--|---------------|----------|----------|----------|---------------|
| Operating voltage $T_j = -40$ $T_j = +25 \dots +150^\circ\text{C}$: | $V_{bb(on)}$ | 4.75 | -- -- | 41 43 | V |
| Overvoltage protection ⁷⁾ $I_{bb} = 40\text{ mA}$ $T_j = -40^\circ\text{C}$: $T_j = 25 \dots +150^\circ\text{C}$: | $V_{bb(AZ)}$ | 41 43 | -- 47 | -- 52 | V |
| Standby current (pin 3) ⁸⁾ $V_{IN} = 0$; see diagram on page 10 $T_j = -40 \dots +25^\circ\text{C}$: $T_j = 150^\circ\text{C}$: | $I_{bb(off)}$ | -- -- | 5 -- | 9 25 | μA |
| Off-State output current (included in $I_{bb(off)}$) $V_{IN} = 0$ | $I_{L(off)}$ | -- | 1 | 10 | μA |
| Operating current ⁹⁾ , $V_{IN} = 5\text{ V}$ | I_{GND} | -- | 0.8 | 1.5 | mA |

⁶⁾ not subject to production test, specified by design

⁷⁾ Supply voltages higher than $V_{bb(AZ)}$ require an external current limit for the GND and status pins (a 150 Ω resistor for the GND connection is recommended. See also $V_{ON(CL)}$ in table of protection functions and circuit diagram page 8.

⁸⁾ Measured with load

⁹⁾ Add I_{ST} , if $I_{ST} > 0$, add I_{IN} , if $V_{IN} > 5.5\text{ V}$



| Parameter and Conditions at $T_j = -40\dots+150^\circ\text{C}$, $V_{bb} = 12\text{ V}$ unless otherwise specified | Symbol | Values | | | Unit |
|---|--|----------|-----|-----|------------------|
| | | min | typ | max | |
| Protection Functions¹⁰⁾ | | | | | |
| Current limit (pin 3 to 5) (see timing diagrams on page 12) | $I_{L(\text{lim})}$ | | | | |
| $T_j = -40^\circ\text{C}$: | | 21 | 28 | 36 | A |
| $T_j = 25^\circ\text{C}$: | | 17 | 22 | 31 | |
| $T_j = +150^\circ\text{C}$: | | 12 | 16 | 24 | |
| Repetitive short circuit shutdown current limit $T_j = T_{jt}$ (see timing diagrams, page 12) | $I_{L(\text{SCr})}$ | -- | 17 | -- | A |
| Thermal shutdown time ¹¹⁾ (see timing diagrams on page 12) | $T_{j,\text{start}} = 25^\circ\text{C}$: $t_{\text{off}(\text{SC})}$ | -- | 7.5 | -- | ms |
| Output clamp (inductive load switch off) at $V_{\text{OUT}} = V_{bb} - V_{\text{ON}(\text{CL})}$ | $I_L = 40\text{ mA}$: $V_{\text{ON}(\text{CL})}$ | 41 43 | 47 | 52 | V |
| Thermal overload trip temperature | T_{jt} | 150 | -- | -- | $^\circ\text{C}$ |
| Thermal hysteresis | ΔT_{jt} | -- | 10 | -- | K |
| Reverse battery (pin 3 to 1) ¹²⁾ | $-V_{bb}$ | -- | -- | 32 | V |
| Reverse battery voltage drop ($V_{\text{out}} > V_{bb}$) ¹³⁾ $I_L = -2\text{ A}$ | $T_j = 150^\circ\text{C}$: $-V_{\text{ON}(\text{rev})}$ | -- | 600 | -- | mV |
| Diagnostic Characteristics | | | | | |
| Open load detection current (on-condition) | $I_L(\text{OL})$ | 10 | -- | 500 | mA |

¹⁰⁾ Integrated protection functions are designed to prevent IC destruction under fault conditions described in the data sheet. Fault conditions are considered as "outside" normal operating range. Protection functions are not designed for continuous repetitive operation.

¹¹⁾ Device on 50mm*50mm*1.5mm epoxy PCB FR4 with 6cm² (one layer, 70μm thick) copper area for V_{bb} connection. PCB is vertical without blown air.

¹²⁾ Requires 150 Ω resistor in GND connection. The reverse load current through the intrinsic drain-source diode has to be limited by the connected load. Note that the power dissipation is higher compared to normal operating conditions due to the voltage drop across the intrinsic drain-source diode. The temperature protection is not active during reverse current operation! Input and Status currents have to be limited (see max. ratings page 3 and circuit page 8).

¹³⁾ not subject to production test, specified by design

| Parameter and Conditions at $T_j = -40 \dots +150^\circ\text{C}$, $V_{bb} = 12\text{ V}$ unless otherwise specified | Symbol | Values | | | Unit |
|---|--------------------|--------|-----|-----|------------------|
| | | min | typ | max | |
| Input and Status Feedback¹⁴⁾ | | | | | |
| Input resistance see circuit page 8 | R_I | 2.5 | 3.5 | 6 | $\text{k}\Omega$ |
| Input turn-on threshold voltage  | $V_{IN(T+)}$ | 1.7 | -- | 3.2 | V |
| Input turn-off threshold voltage  | $V_{IN(T-)}$ | 1.5 | -- | -- | V |
| Input threshold hysteresis | $\Delta V_{IN(T)}$ | -- | 0.5 | -- | V |
| Off state input current (pin 2), $V_{IN} = 0.4\text{ V}$ | $I_{IN(off)}$ | 1 | -- | 50 | μA |
| On state input current (pin 2), $V_{IN} = 5\text{ V}$ | $I_{IN(on)}$ | 20 | 50 | 90 | μA |
| Delay time for status with open load after switch off (see timing diagrams on page 12) | $t_{d(ST\ OL4)}$ | 100 | 520 | 900 | μs |
| Status output (open drain) | | | | | |
| Zener limit voltage $I_{ST} = +1.6\text{ mA}$: | $V_{ST(high)}$ | 5.4 | 6.1 | -- | V |
| ST low voltage $I_{ST} = +1.6\text{ mA}$: | $V_{ST(low)}$ | -- | -- | 0.4 | |

¹⁴⁾ If a ground resistor R_{GND} is used, add the voltage drop across this resistor.

Truth Table

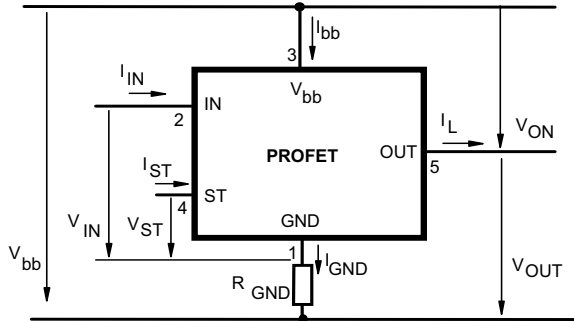
| | Input level | Output level | Status BTS 428L2 |
|------------------|-------------|--------------|------------------|
| Normal operation | L | L | H |
| | H | H | H |
| Open load | L | Z | H |
| | H | H | L |
| Overtemperature | L | L | H |
| | H | L | L |

L = "Low" Level
H = "High" Level

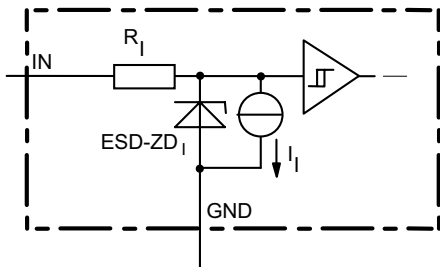
X = don't care

Z = high impedance, potential depends on external circuit
Status signal after the time delay shown in the diagrams (see fig 5. page 12)

Terms

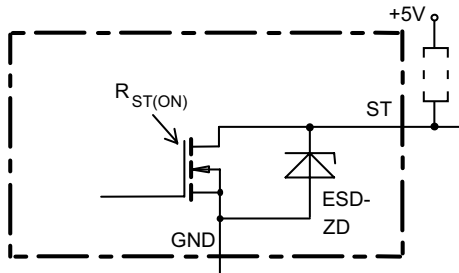


Input circuit (ESD protection)



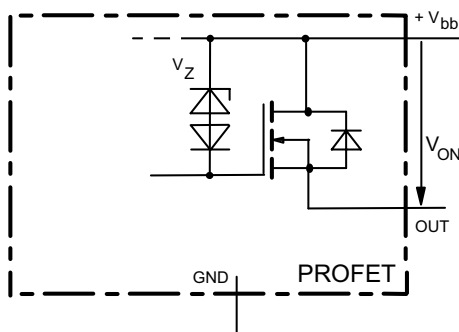
The use of ESD zener diodes as voltage clamp at DC conditions is not recommended

Status output



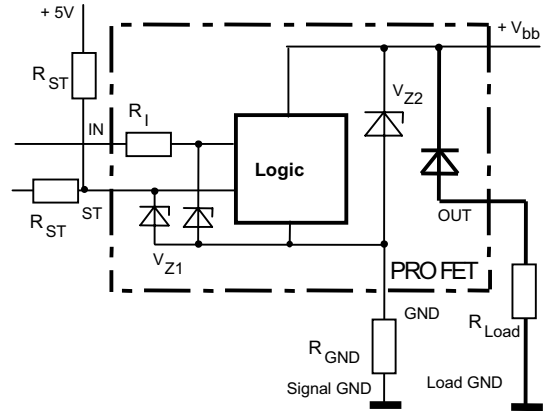
ESD-Zener diode: 6.1 V typ., max 5.0 mA; $R_{ST(ON)} < 375 \Omega$ at 1.6 mA. The use of ESD zener diodes as voltage clamp at DC conditions is not recommended.

Inductive and overvoltage output clamp



V_{ON} clamped to 47 V typ.

Overvolt. and reverse batt. protection

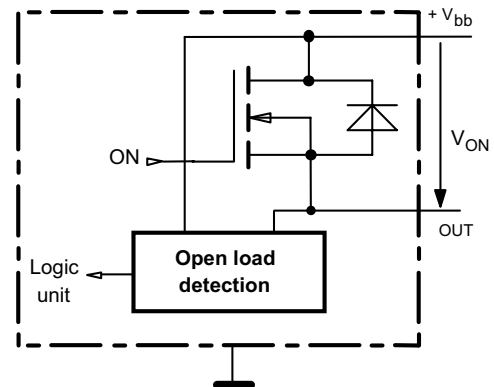


$V_{Z1} = 6.1 \text{ V typ.}$, $V_{Z2} = 47 \text{ V typ.}$, $R_{GND} = 150 \Omega$, $R_{ST} = 15 \text{ k}\Omega$, $R_1 = 3.5 \text{ k}\Omega \text{ typ.}$

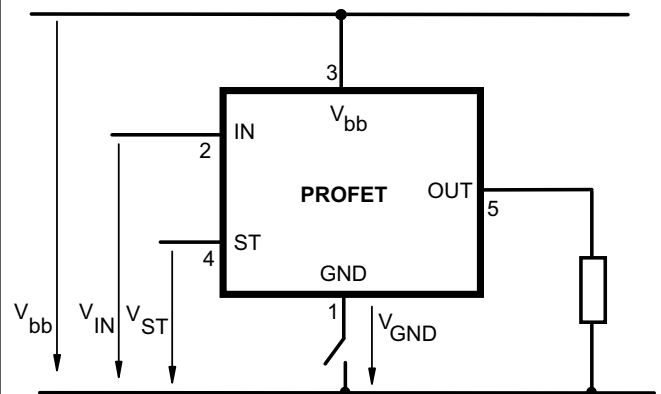
In case of reverse battery the load current has to be limited by the load. Temperature protection is not active

Open-load detection in on-state

Open load, if $V_{ON} < R_{ON} \cdot I_{L(OL)}$; IN high

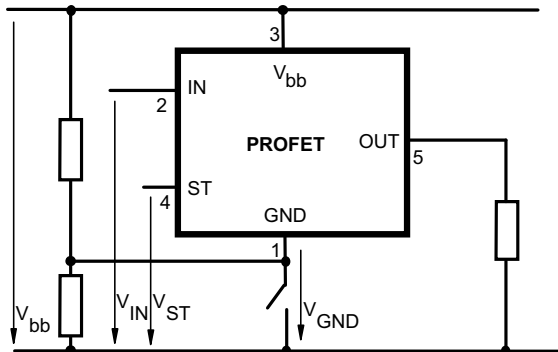


GND disconnect



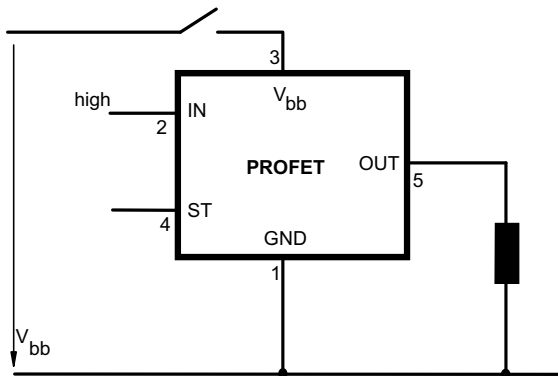
Any kind of load. In case of Input=high is $V_{OUT} \approx V_{IN} - V_{IN(T+)}$. Due to $V_{GND} > 0$, no $V_{ST} = \text{low signal}$ available.

GND disconnect with GND pull up



Any kind of load. If $V_{GND} > V_{IN} - V_{IN(T+)}$ device stays off
 Due to $V_{GND} > 0$, no V_{ST} = low signal available.

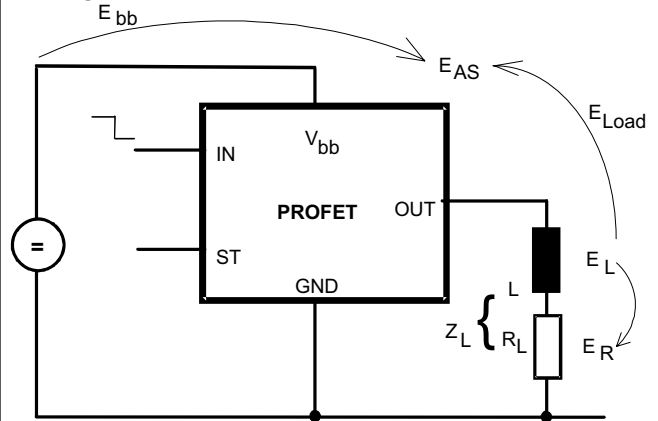
Vbb disconnect with energized inductive load



For inductive load currents up to the limits defined by Z_L (max. ratings and diagram on page 9) each switch is protected against loss of V_{bb} .

Consider at your PCB layout that in the case of V_{bb} disconnection with energized inductive load all the load current flows through the GND connection.

Inductive Load switch-off energy dissipation



Energy stored in load inductance:

$$E_L = 1/2 \cdot L \cdot I_L^2$$

While demagnetizing load inductance, the energy dissipated in PROFET is

$$E_{AS} = E_{bb} + E_L - E_R = \int V_{ON(CL)} \cdot i_L(t) dt,$$

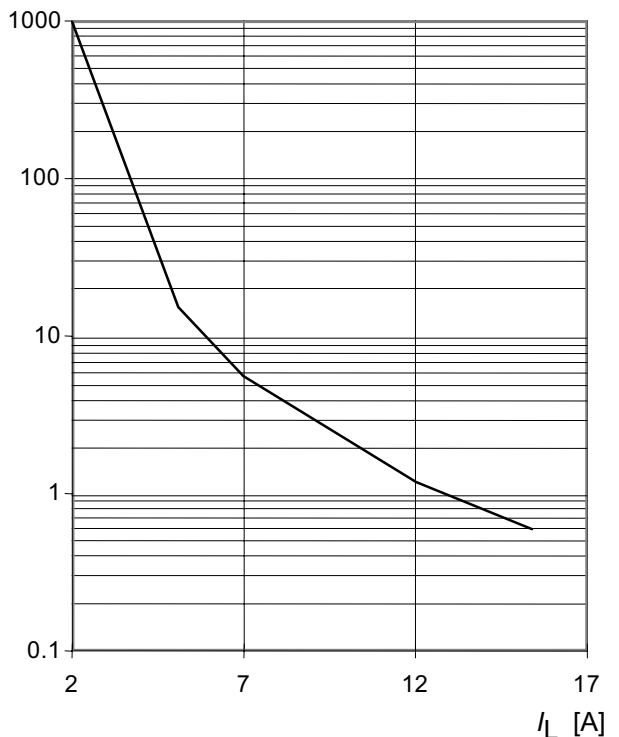
with an approximate solution for $R_L > 0 \Omega$:

$$E_{AS} = \frac{I_L \cdot L}{2 \cdot R_L} \cdot (V_{bb} + |V_{OUT(CL)}|) \cdot \ln \left(1 + \frac{I_L \cdot R_L}{|V_{OUT(CL)}|} \right)$$

Maximum allowable load inductance for a single switch off

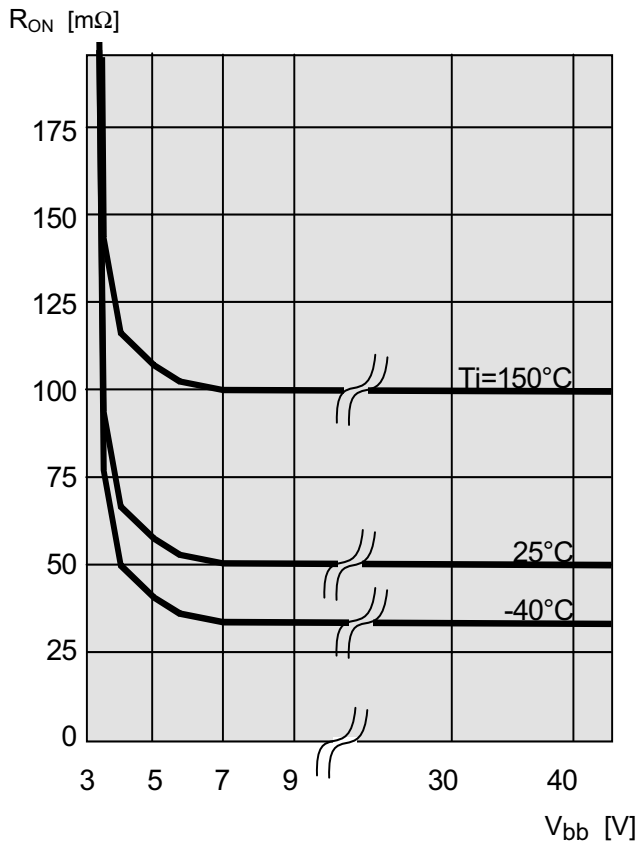
$L = f(I_L)$; $T_{j,start} = 150^\circ C$, $T_C = 150^\circ C$ const.,
 $V_{bb} = 12 V$, $R_L = 0 \Omega$

Z_L [mH]



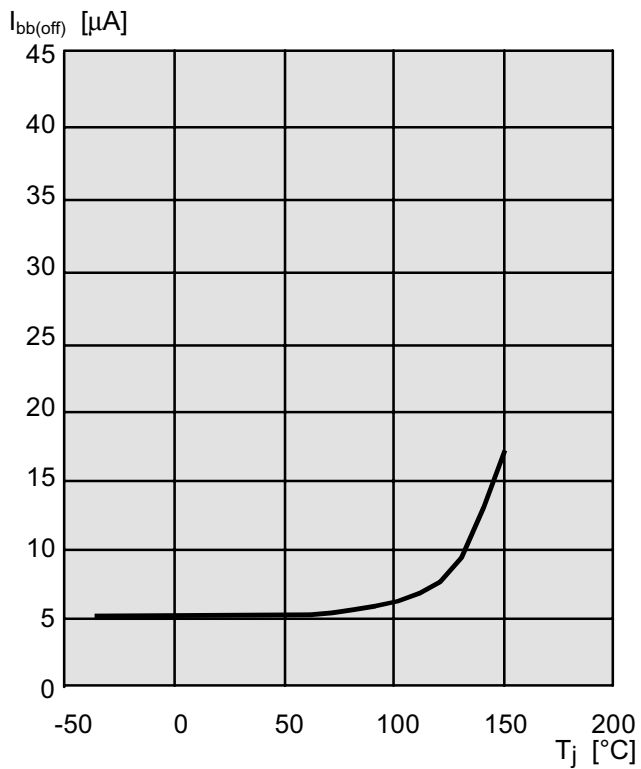
Typ. on-state resistance

$R_{ON} = f(V_{bb}, T_j); I_L = 2\text{ A}, I_N = \text{high}$



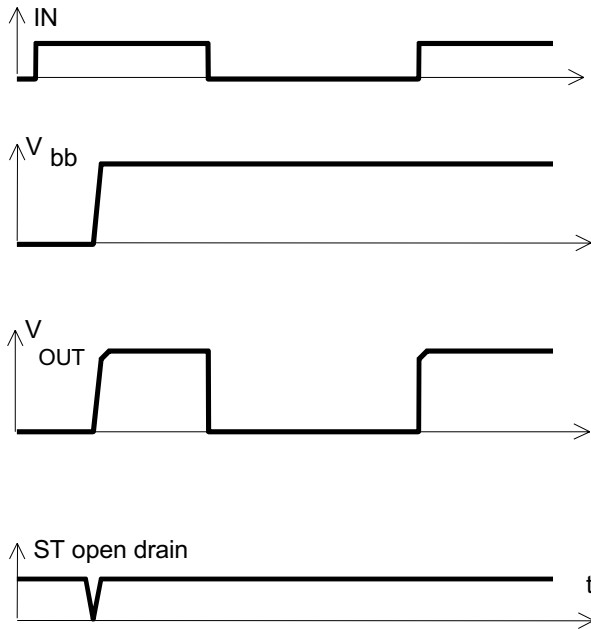
Typ. standby current

$I_{bb(off)} = f(T_j); V_{bb} = 9\text{...}34\text{ V}, I_{N1,2} = \text{low}$



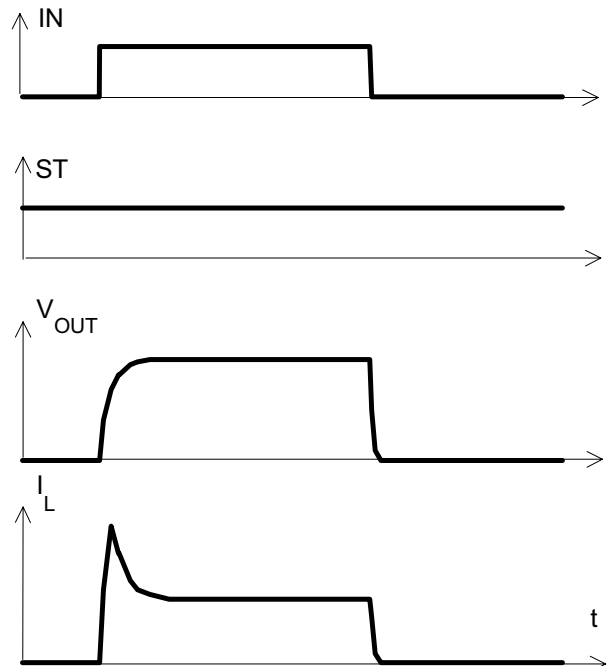
Timing diagrams

Figure 1a: V_{bb} turn on:



proper turn on under all conditions

Figure 2b: Switching a lamp,



The initial peak current should be limited by the lamp and not by the current limit of the device.

Figure 2a: Switching a resistive load, turn-on/off time and slew rate definition:

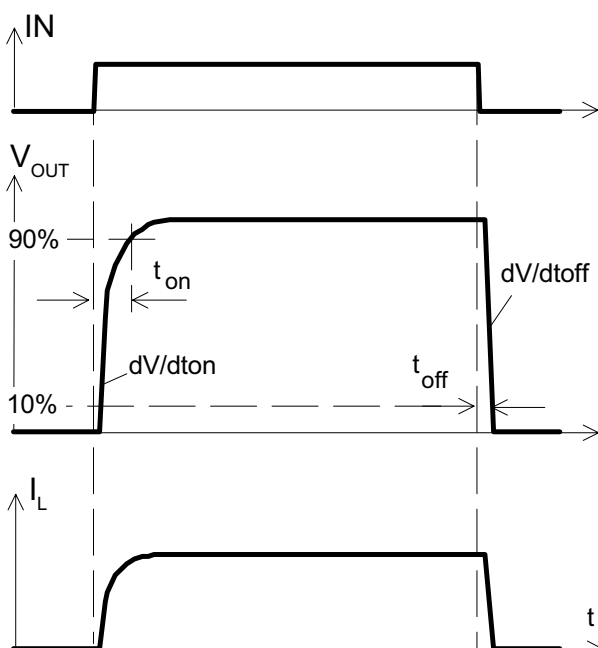
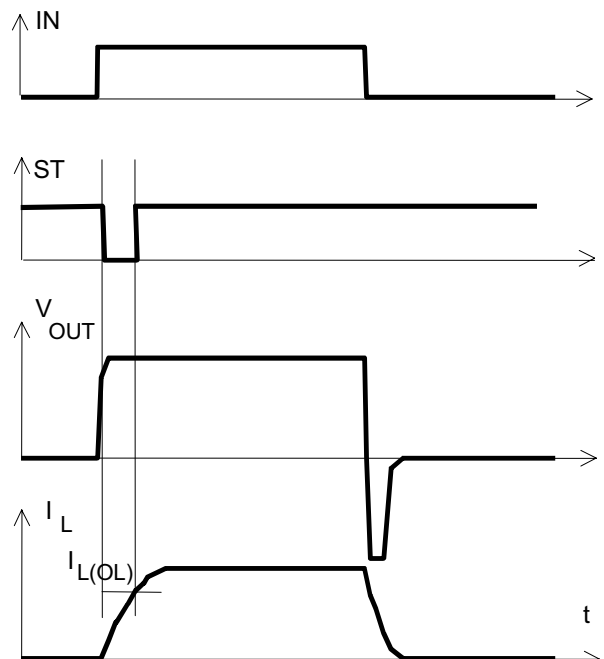


Figure 2c: Switching an inductive load



*) if the time constant of load is too large, open-load-status may occur

Figure 3a: Short circuit shut down by overtemperature, reset by cooling

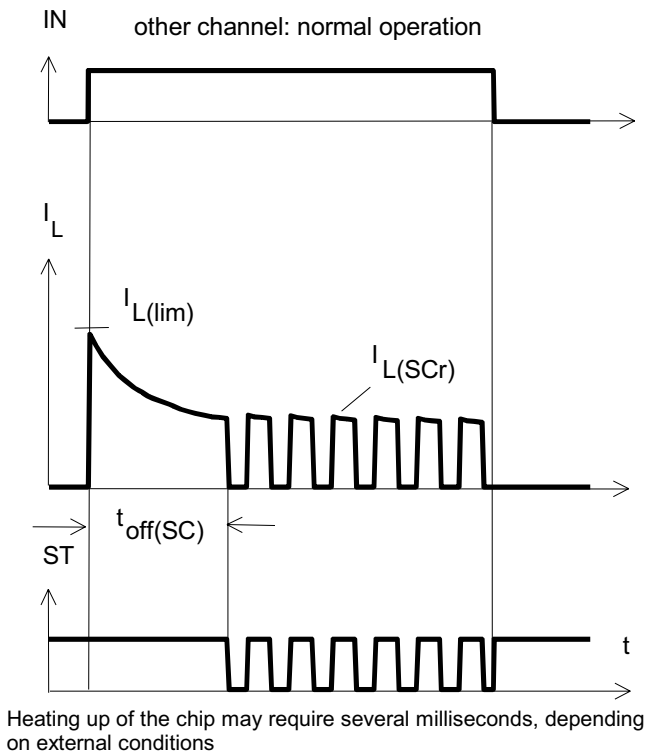


Figure 5a: Open load: detection in ON-state, open load occurs in on-state

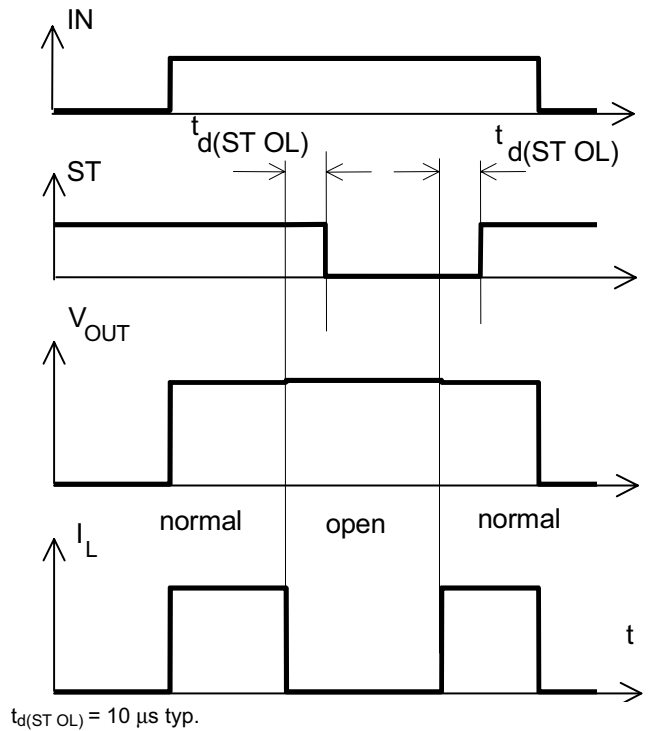


Figure 4a: Overtemperature: Reset if $T_j < T_{jt}$

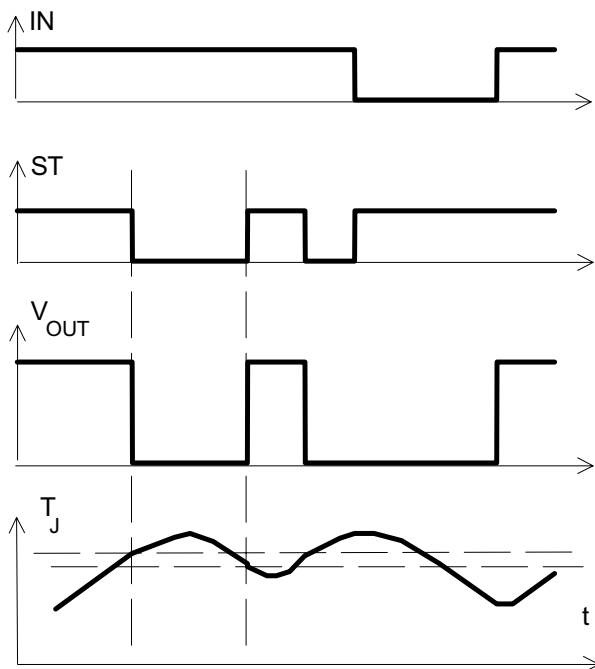
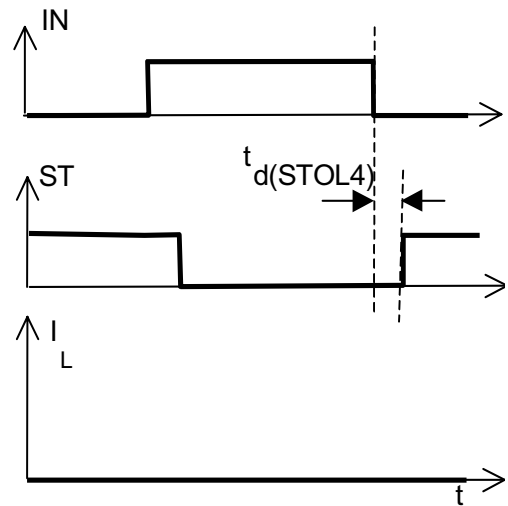


Figure 5b: Open load: turn on/off to open load



1 Package Outlines

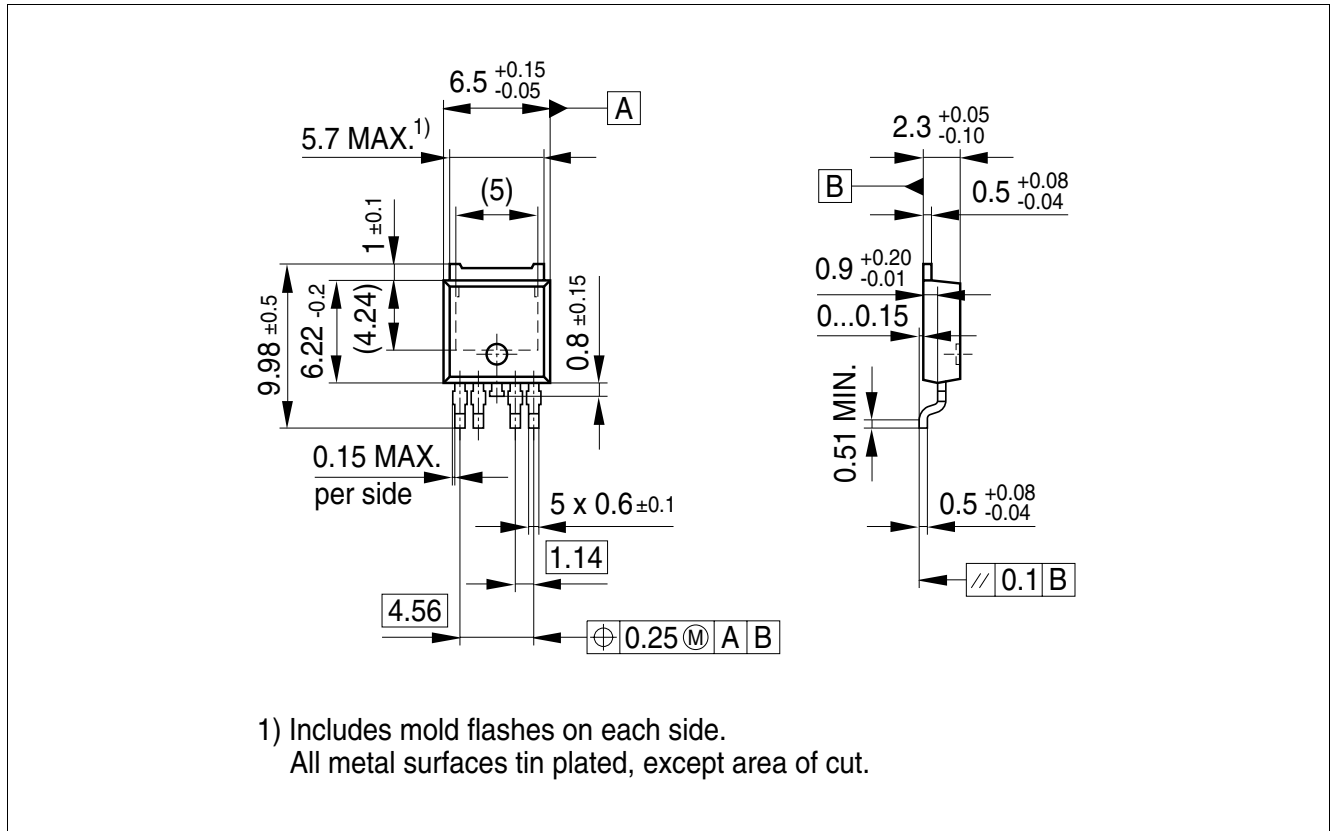


Figure 1 PG-T0252-11

Green Product (RoHS compliant)

To meet the world-wide customer requirements for environmentally friendly products and to be compliant with government regulations the device is available as a green product. Green products are RoHS-Compliant (i.e. Pb-free finish on leads and suitable for Pb-free soldering according to IPC/JEDEC J-STD-020).

2 Revision History

| Revision | Date | Changes |
|----------|------------|--|
| 1.1 | 2008-10-10 | RoHS-compliant DSO package version of the ITS428L2 All pages: Infineon logo updated Page 1: Added "RoHS" logo, added "Green Product (RoHS compliant)" statement to feature list, package names changed to RoHS compliant versions. Page 13: Package names changed to RoHS compliant versions, added "Green Product" description page 14: added Revision History page 15: added Legal Disclaimer |

Edition 2008-10-10

**Published by
Infineon Technologies AG
81726 Munich, Germany**

**© 2008 Infineon Technologies AG
All Rights Reserved.**

Legal Disclaimer

The information given in this document shall in no event be regarded as a guarantee of conditions or characteristics. With respect to any examples or hints given herein, any typical values stated herein and/or any information regarding the application of the device, Infineon Technologies hereby disclaims any and all warranties and liabilities of any kind, including without limitation, warranties of non-infringement of intellectual property rights of any third party.

Information

For further information on technology, delivery terms and conditions and prices, please contact the nearest Infineon Technologies Office (www.infineon.com).

Warnings

Due to technical requirements, components may contain dangerous substances. For information on the types in question, please contact the nearest Infineon Technologies Office.

Infineon Technologies components may be used in life-support devices or systems only with the express written approval of Infineon Technologies, if a failure of such components can reasonably be expected to cause the failure of that life-support device or system or to affect the safety or effectiveness of that device or system. Life support devices or systems are intended to be implanted in the human body or to support and/or maintain and sustain and/or protect human life. If they fail, it is reasonable to assume that the health of the user or other persons may be endangered.