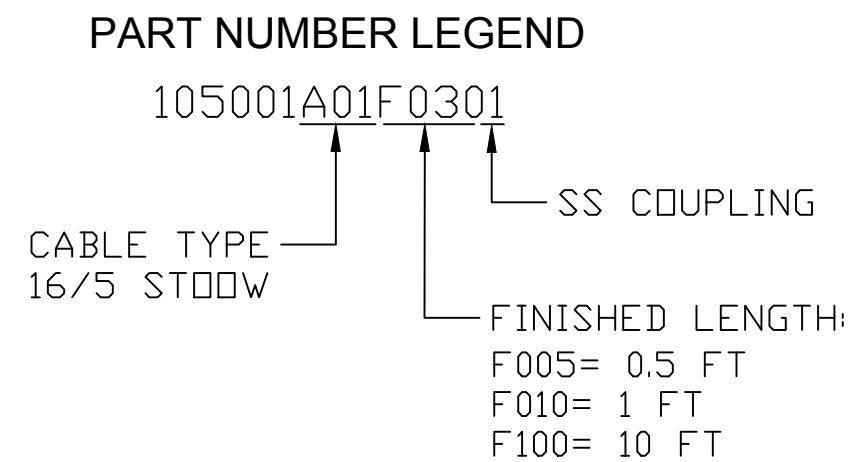
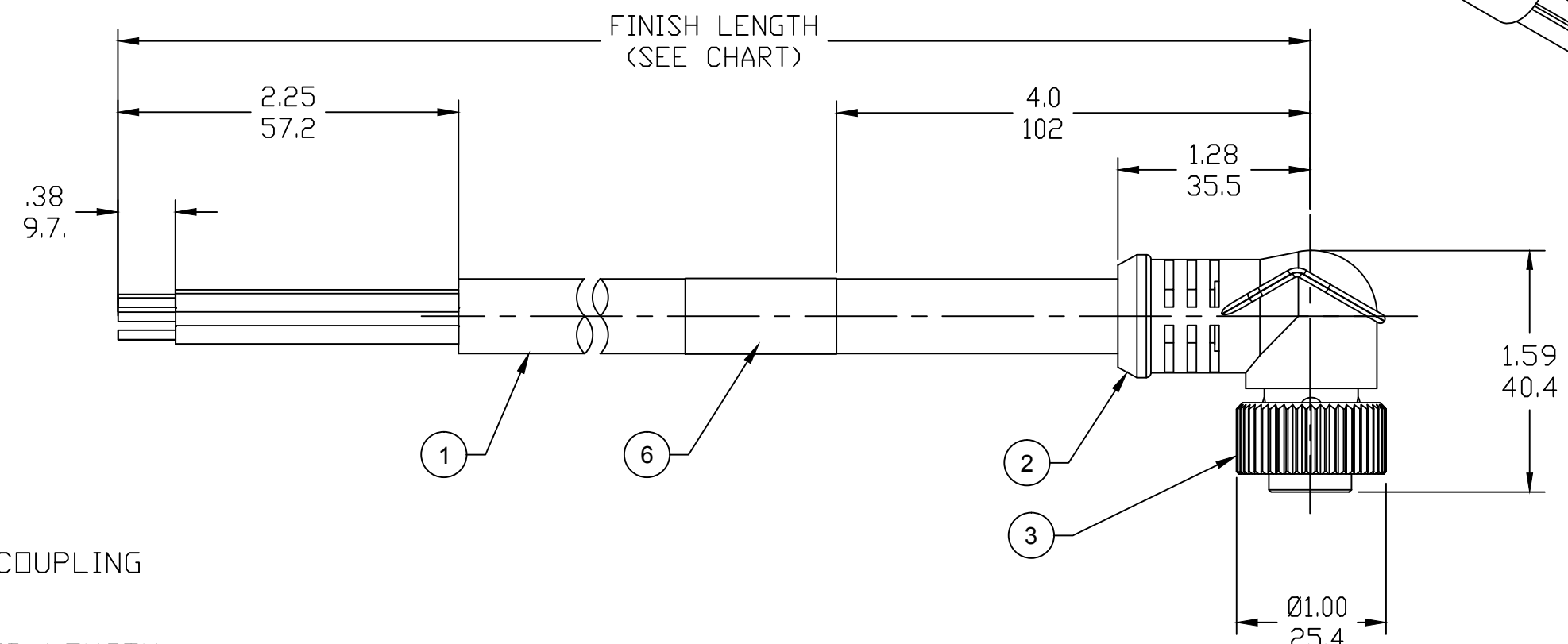
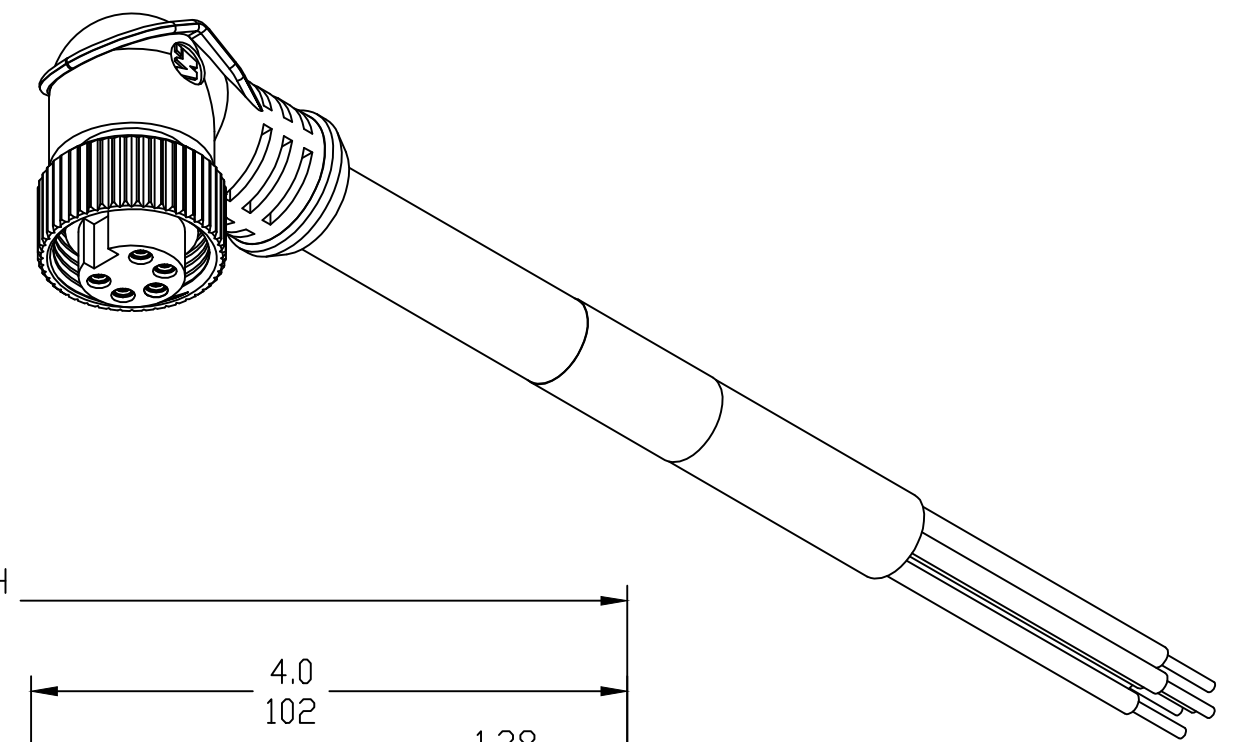


PART NUMBER	ENGINEERING NUMBER	FINISH LENGTH
1300061347	105001A01F0301	3.00FT [.9M]
1300061350	105001A01F0601	6.00FT [1.8M]
1300061354	105001A01F1201	12.00FT [3.7M]
1300061357	105001A01F1501	15.00FT' [4.6M]
1300062225	105001A01F2001	20.00FT [6.1M]
1300061365	105001A01F2501	25.00FT [7.6M]
1300061368	105001A01F3001	30.00FT [9.1M]

CABLE LENGTH TOLERANCES
>.3M [1FT]: +19mm-0 [+.75in-0]
.3 - .9M [1 - 3FT]: +44.5mm-0 [+1.75in-0]
.9 - 1.8M [3 - 6FT]: +55.6mm-0 [+2.19in-0]
1.8 - 3.7M [6 - 12FT]: +88.9mm-0 [+3.50in-0]
3.7 - 7.3M [12 - 24FT]: +165.1mm-0 [+6.50in-0]
7.3-14.6M [24 - 48FT]: +317.5mm-0 [+12.50in-0]
14.6 - 30.5M [48-100FT]: +622.3mm-0 [+24.50in-0]
OVER 30M [100FT] +2% OF FINISHED LENGTH



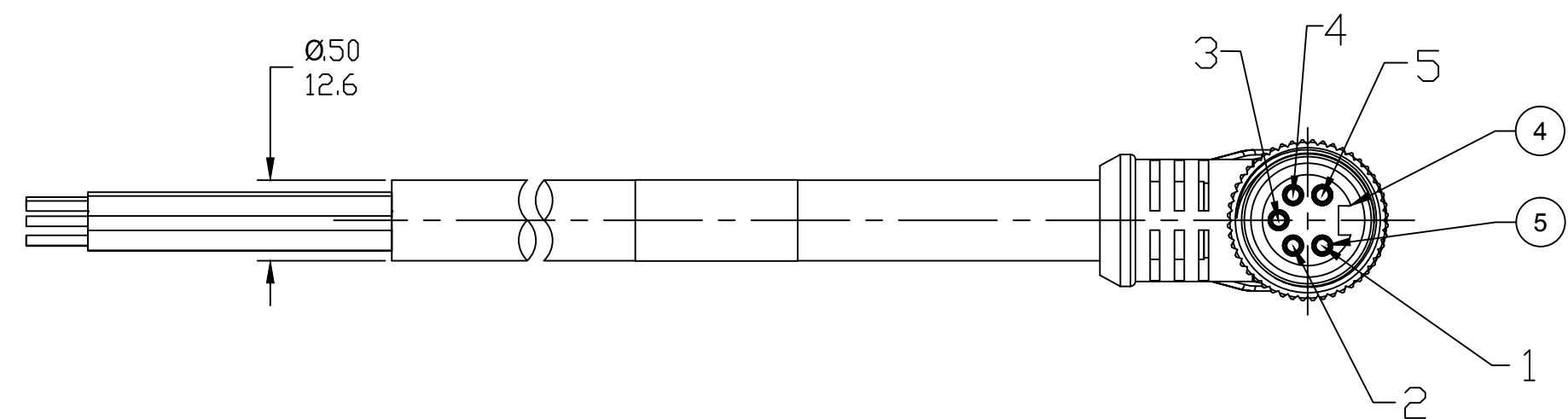
- NOTES:**
- MATERIAL: AS NOTED
 - FINISH: AS NOTED
 - ELECTRICAL:
VOLTAGE: 400V PER IEC60664
600V PER UL2238
CURRENT: 8A
 - TEMP RATING: -20°C TO +90°C
 - PROTECTION: IP67 (WHEN MATED)
 - COUPLING THREAD: 7/8-16UN
 - UL LISTED FILE: E152210
CSA CERTIFIED: LR6837
 - ALL DIMS ARE FOR REFERENCE UNLESS TOLERANCED OR NOTED OTHERWISE

P1

1	WHITE
2	RED
3	GREEN/YELLOW-GND
4	ORANGE
5	BLACK

WIRING DIAGRAM

ITEM	QTY.	DESCRIPTION	MATERIAL	FINISH
6	1	LABEL	VINYL	BLACK/YELLOW
5	5	CONTACT SOCKET	COPPER ALLOY	GOLD PLATED
4	1	INSERT	TPE	YELLOW
3	1	COUPLING NUT	ST. STEEL	PASSIVATED
2	1	OVERMOLD	TPE	YELLOW
1	1	CABLE, 16AWG-5 TYPE ST00W	PVC	YELLOW



FEMALE FACE VIEW

INITIAL RELEASE EC NO: IPG2019-0479 DRWN: RSTONE 2019/04/05 CHKD: M ZIELIN APPR: BWOODMAN2019/04/17 REV DESCRIPTION	QUALITY SYMBOL	GENERAL TOLERANCES (UNLESS SPECIFIED)	DIMENSION STYLE	SCALE	DESIGN UNITS	THIRD ANGLE PROJECTION
	$\nabla=0$ $\nabla C=0$	mm INCH 4 PLACES ±--- ±--- 3 PLACES ±--- ±--- 2 PLACES ±--- ±--- 1 PLACE ±--- ±---	IN/MM	---	INCH	
		ANGULAR ±---°	DRAWN BY DATE	TITLE	MOLEX INCORPORATED	
		DRAFT WHERE APPLICABLE MUST REMAIN WITHIN DIMENSIONS	RSTONE 2019/04/05 M ZIELIN BWOODMAN 2019/04/17	MINI-CHANGE ASSEMBLY 5 POLE FEMALE 90D 16/5 PVC, SS COUPLING	SD-130006-089	SHEET NO. 1 OF 1
		MATERIAL NO.	THIS DRAWING CONTAINS INFORMATION THAT IS PROPRIETARY TO MOLEX INCORPORATED AND SHOULD NOT BE USED WITHOUT WRITTEN PERMISSION			
		SIZE				