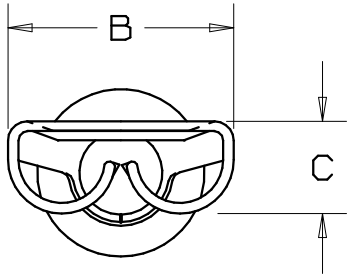
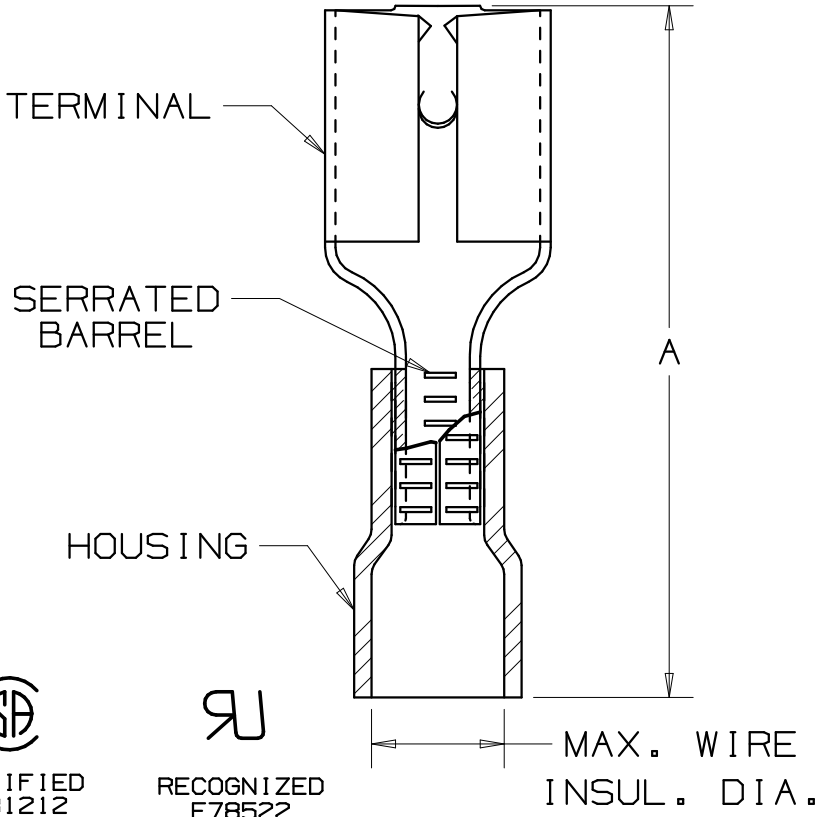


| PART NUMBER | | TAB SIZE | WIRE RANGE AWG | MAX. INSUL. DIA. | DIMENSIONS in. | | | HOUSING COLOR |
|-------------|-----------------|----------------------------|--------------------|------------------|----------------|--------------|--------------|---------------|
| PREFIX | PK | | | | A ±.03 | B ±.01 | C ±.01 | |
| DV18-250B | -C -M -MY | .250 X .032 (6,3 X 0,8) | 22-18 (0,5-1,0) | .150 (3,8) | .81 (20,6) | .29 (7,4) | .12 (3,0) | RED |
| *DV14-250B | -C -M | .250 X .032 (6,3 X 0,8) | 16-14 (1,5-2,5) | .170 (4,3) | .81 (20,6) | .29 (7,4) | .12 (3,0) | BLUE |



NOTES:


- UL LISTED, UL RECOGNIZED (DV14-250B ONLY), CSA CERTIFIED FOR:
 - A. 600V. MAX. VOLTAGE RATING
 - B. STRANDED COPPER WIRE ONLY
 - C. 221° F (105° C) MAX. TEMP. RATING
- MATERIAL:
 - A. STAMPING - .016" (0.41) THK BRASS, TIN PLATED
 - B. HOUSING - VINYL
- PACKAGE QTY: STD. PKG. -C=100
BULK PKG. -M=1000, -MY=1000
- INITIAL INSERTION FORCE - 12 LB. (53 N.) MAX
INITIAL WITHDRAWAL FORCE - 12 LB. (53 N.) MAX
6 LB. (27 N.) MIN
- DIMENSIONS IN BRACKETS ARE IN MILLIMETERS
- INSTALLATION TOOLS:
 - A. UL LISTED AND CSA CERTIFIED: CT-520, CT-1525
 - B. UL RECOGNIZED: CT-520, CT-1525
- WIRE STRIP LENGTH: 1/4 ^{+1/32}₋₀ (6.3 ^{+0.8}₋₀)



 LISTED 20H3 E78522
 CERTIFIED LR31212
 RECOGNIZED E78522

A41307_09

| REV | DATE | BY | CHK | DESCRIPTION | ECN # | PM | APP |
|-----|-------|------|-----|---------------------------------------|---------|-----|-----|
| 09 | 6/06 | DAW | DAW | REMOVED MAX. AMPERAGE NOTE | TRO0134 | | |
| 08 | 5/05 | JHNU | | ADDED PACKAGING CODE "MY" TO DRAWING. | | | |
| 07 | 7/03 | KLFU | SKB | UPDATED DRAWING | 12453 | TRO | SKB |
| 06 | 5/99 | JKD | SKB | ADDED CT-1525 TOOL | 07634 | TRO | JCJ |
| 05 | 10/94 | MS | RS | UPDATED NOTES AND DIMENSIONS | 02531 | JM | LA |

 **PANDUIT** CORP. TINLEY PARK, ILLINOIS
 FEMALE DISCONNECT, VINYL INSULATED (.250 SERIES)

| | | | |
|----------|-------|-------|-------------|
| DRAWN BY | CHK'D | SCALE | DRAWING NO. |
| DAW | LA | NONE | A41307 |