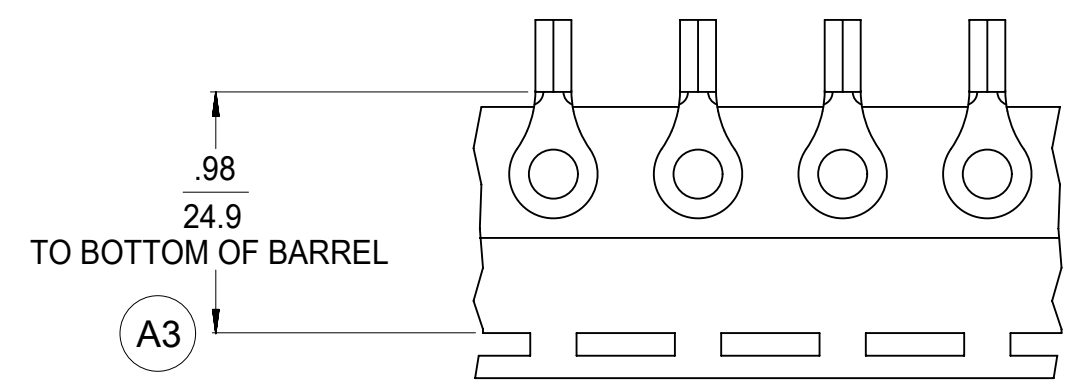
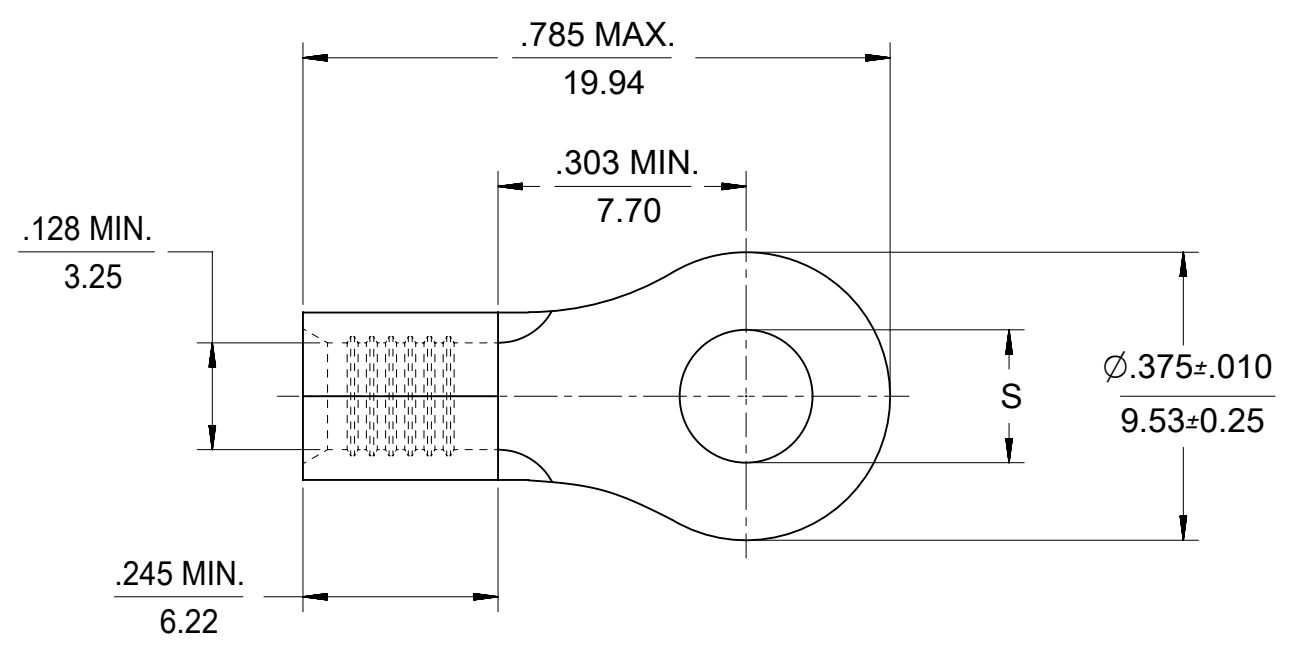


MAT'L NO. (LOOSE PIECE)	ENG. NO.	MAT'L NO. (TAPE MOUNTED)	ENG. NO.	STUD SIZE	"S" ±.005 (0.13)	STOCK THICKNESS	FINISH
190690200	C-128-04	190690147	C-128-04T	4	.126 (3.20)	COPPER .040 (1.02)	SEE NOTE 1
190690202	C-128-06	-----	-----	6	.146 (3.71)		
190690205	C-128-08	190690208	C-128-08T	8	.173 (4.39)		
190690209	C-128-10	190690212	C-128-10T	10	.198 (5.03)		
190690215	C-128-209	-----	-----	209	.209 (5.18)	NICKEL .038 (0.97)	NONE
192030159	C-U-128-06	-----	-----	6	.146 (3.71)		
192030160	C-U-128-08	-----	-----	8	.173 (4.39)		
192030113	C-U-128-10	192030114	C-U-128-10T	10	.198 (5.03)		
190690682	C-128-10-AU	-----	-----	10	.198 (5.03)	COPPER .040 (1.02)	SEE NOTE 2



- NOTES:
- FINISH: TIN PLATING, 100(2.5)µin(µm) MIN
 - FINISH: GOLD, 50(1.25)µin(µm) MIN. OVER NICKEL, 50(1.25)µin(µm) MIN. PLATING.
 - WIRE SIZE: 12-10 AWG, 4.0-6.0 MM²
 - PARTS ARE RoHS COMPLIANT.

SYMBOLS	THIS DRAWING CONTAINS INFORMATION THAT IS PROPRIETARY TO MOLEX ELECTRONIC TECHNOLOGIES, LLC AND SHOULD NOT BE USED WITHOUT WRITTEN PERMISSION		CURRENT REV DESC:		molex
	DIMENSION UNITS	SCALE			
▽ = 0	INCH/MM	1:1			RING TONGUE TERMINAL
▽ = 0	GENERAL TOLERANCES (UNLESS SPECIFIED)				KRIMPTITE, 128 SERIES 12-10 AWG
▽ = 0		MM INCH			PRODUCT CUSTOMER DRAWING
▽ = 0	4 PLACES ±	±	EC NO: 626861		DOCUMENT NUMBER
▽ = 0	3 PLACES ±	±	DRWN: DMYRICK	2019/11/05	DOC TYPE
▽ = 0	2 PLACES ±	±	CHK'D: JMACNEIL	2019/11/06	DOC PART
▽ = 0	1 PLACE ±	±	APPR: JMACNEIL	2019/11/06	REVISION
▽ = 0	0 PLACES ±	±	INITIAL REVISION:		
□ = 0	ANGULAR TOL ± °		DRWN:		SD-19069-020
■ = 0	DRAFT WHERE APPLICABLE MUST REMAIN WITHIN DIMENSIONS		APPR:		PSD 001 A3
▽ = 0	THIRD ANGLE PROJECTION	DRAWING	SERIES	MATERIAL NUMBER	CUSTOMER
		B-SIZE	19069		GENERAL MARKET
					SHEET NUMBER
					1 OF 1