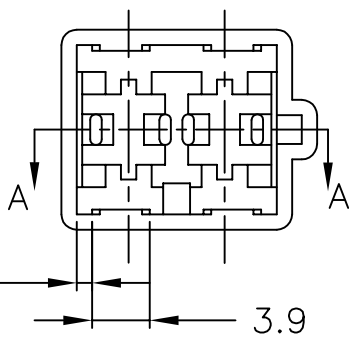
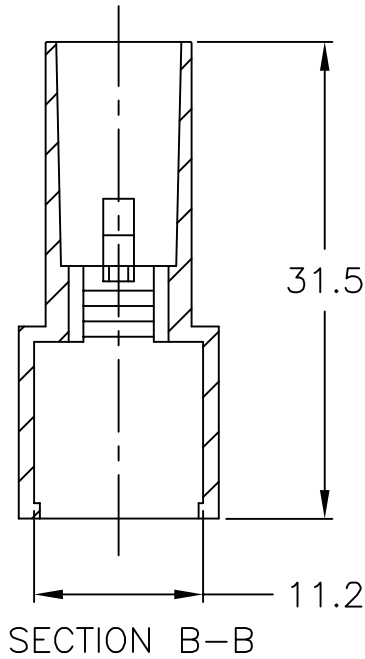
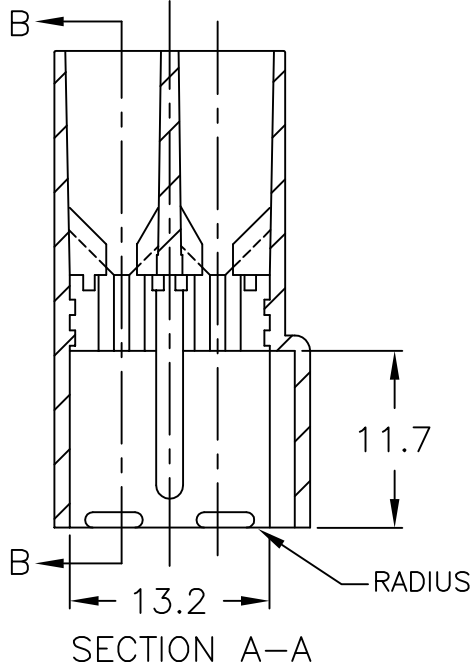
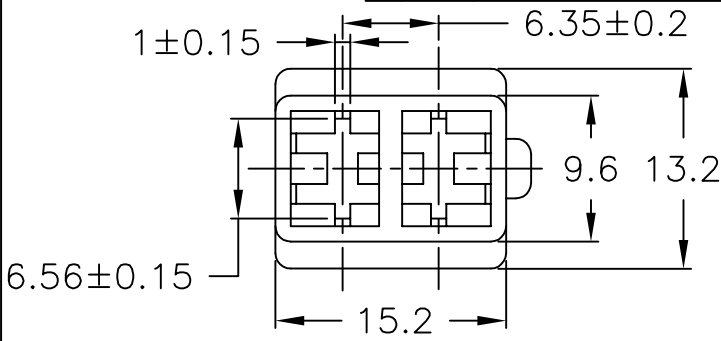


REVISIONS					
P	LTR	DESCRIPTION	DATE	DWN	APVD
	L	REDRAWN PER ECR-17-015744	25OCT2017	BDA	GG



OBsolete PARTS: OBsolete CIS STREAMLINING PER D.RENAUD/D.SINISI



OBsolete

NOTES	COLOUR	MATERIAL	PART NUMBER
	BLACK	NYLON 6/6	280542-5
	RED		280542-1
	NATURAL		280542-0

RELEASED FOR PUBLICATION

ALL RIGHTS RESERVED.

COPYRIGHT - TE Connectivity

THIS DRAWING IS UNPUBLISHED.

DIMENSIONS:	
mm	
TOLERANCES UNLESS OTHERWISE SPECIFIED:	
0 PLC	± -
1 PLC	± 0.4
2 PLC	± -
3 PLC	± -
4 PLC	± -
ANGLES	± 1°

DWN	25OCT2017
BASAVARAJA D A	
CHK	25OCT2017
GUNASEKHAR G	
APVD	25OCT2017
GUNASEKHAR G	
PRODUCT SPEC	
-	
APPLICATION SPEC	
-	
WEIGHT	
-	

MATERIAL		FINISH	
SEE TABLE		SEE TABLE	
TE Connectivity			
NAME 2 WAY .250 SRS FASTIN-ON TAB HSG			
SIZE	CAGE CODE	DRAWING NO	RESTRICTED TO
A4	00779	© 280542	-
CUSTOMER DRAWING		SCALE	SHEET
		2:1	1 OF 1
			REV L