

PART NO.
DWG. NO.

F

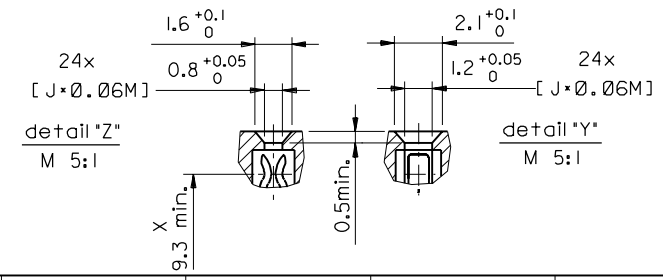
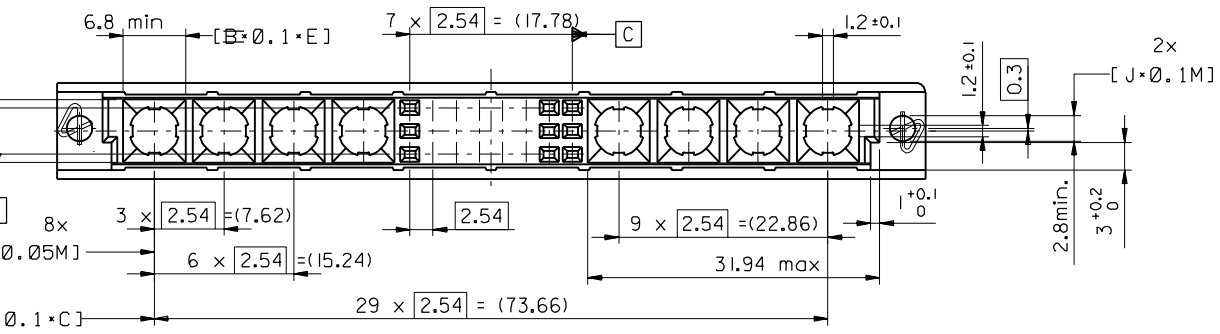
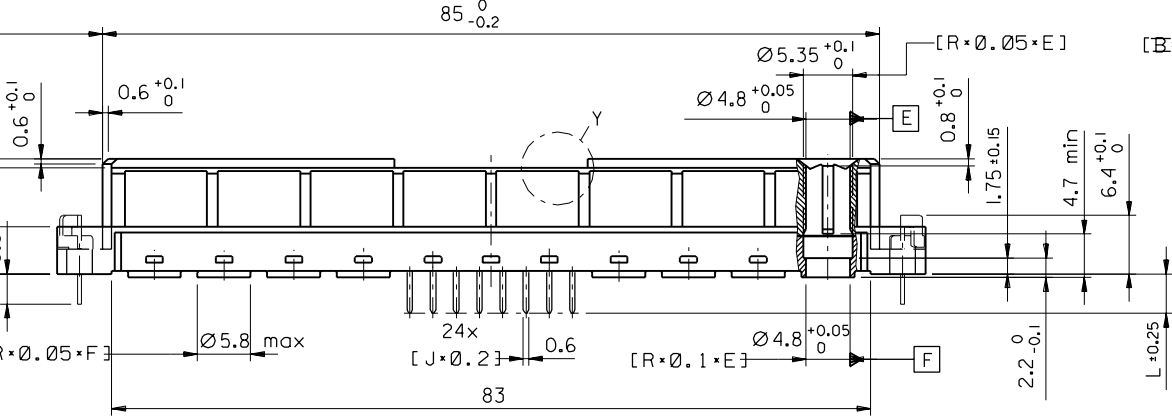
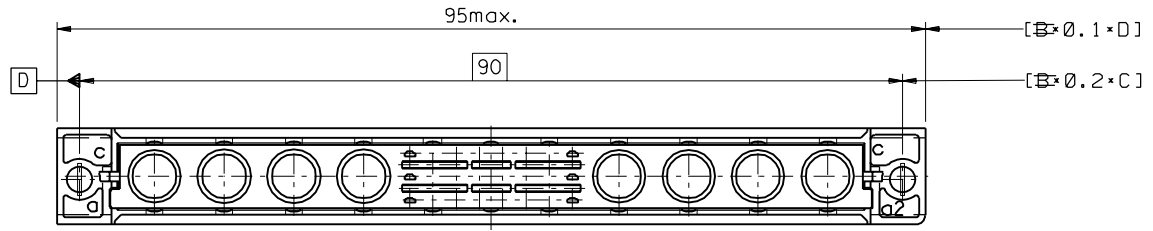
D

C

B

A

7132-1283



| | | | | | |
|---|--|---------------------------|------|---|------|
| FIRST ANGLE PROJECTION | | REVISE ONLY ON CAD SYSTEM | | SH. | REV. |
| UNLESS OTHERWISE SPECIFIED TOLERANCES: ANGULAR ±2° | | DRWG BY | SIGN | CAD/CAM PROJECT NAME | |
| INCH | | KN | | 85048000 | |
| METRIC | | CHK'D BY | SIGN | 841 | |
| 3 PLACE ± | | Ca | | THIS DRAWING CONTAINS INFORMATION THAT IS PROPRIETARY TO MOLEX INC. & SHOULD NOT BE USED WITHOUT WRITTEN PERMISSION | |
| 2 PLACE ± | | APP'D BY | SIGN | TITLE | |
| 1 PLACE ± | | JB | | 24 pol. Federleiste | |
| DRAFT WHERE APPLICABLE MUST REMAIN WITHIN DIMENSIONS | | SCALE | | 24 pos. female connector | |
| DESIGN DIMENSION <input checked="" type="checkbox"/> MM | | | | DIN 41612, style M | |
| EQUIVALENT DIMENSION <input type="checkbox"/> IN. | | | | MOLEX EUROPE | |
| EQUIVALENT DIMENSION <input type="checkbox"/> MM | | | | SHEET NO. DATE | |
| EQUIVALENT DIMENSION <input type="checkbox"/> IN. | | | | 1 OF 1 97/04/14 | |
| IF TWO DIMENSIONS ARE SHOWN THE UPPER IS THE DESIGN DIMENSION, LOWER IS SECONDARY | | | | PART NO. | |
| | | | | DWG. NO. | |
| | | | | SD-85048-0004 | |
| | | | | SIZE | |
| | | | | B | |

| | |
|----------|-------------------------------------|
| ECN 2478 | first release |
| LTR | REVISIONS |
| A | FOR PREVIOUS REVISIONS SEE MRI LIST |

F

E

D

C

B

A

I

VIEW ON MATING SIDE

| | | | | | | | | | | | | | | | | | | | | | | | |
|---|---|---|---|---|---|---|---|---|----|----|----|----|----|----|----|----|----|----|----|----|----|----|----|
| 1 | 2 | 3 | 4 | 5 | 6 | 7 | 8 | 9 | 10 | 11 | 12 | 13 | 14 | 15 | 16 | 17 | 18 | 19 | 20 | 21 | 22 | 23 | 24 |
| ⊘ | ⊘ | ⊘ | ⊘ | ⊘ | ⊘ | ⊘ | ⊘ | ⊘ | ⊘ | ⊘ | ⊘ | ⊘ | ⊘ | ⊘ | ⊘ | ⊘ | ⊘ | ⊘ | ⊘ | ⊘ | ⊘ | ⊘ | ⊘ |
| A | A | A | A | A | A | A | A | A | A | A | A | A | A | A | A | A | A | A | A | A | A | A | A |
| ⊘ | ⊘ | ⊘ | ⊘ | ⊘ | ⊘ | ⊘ | ⊘ | ⊘ | ⊘ | ⊘ | ⊘ | ⊘ | ⊘ | ⊘ | ⊘ | ⊘ | ⊘ | ⊘ | ⊘ | ⊘ | ⊘ | ⊘ | ⊘ |
| A | A | A | A | A | A | A | A | A | A | A | A | A | A | A | A | A | A | A | A | A | A | A | A |

1 2 3 4 5 6 7 8 9 10 11 12 13 14 15 16 17 18 19 20 21 22 23 24

A - 24 STANDARD CONTACTS L-2,9

| | |
|-------------------|--|
| Marking | Standard |
| Performance level | G2/0 = Contact area level2 / Termination tin |
| Flux proof | no |
| Fixing clip | no |
| Dimensions | SD-85048-0004 sht.1 |
| Technical Data | PS-85042-0001 |

| | | | | |
|----------------|----------------|-------------------------|--------|--------|
| A | G2/0 | b13-20 | b13-20 | c13-20 |
| Contact symbol | Perform. level | Contact position number | | |

| | | | | | | |
|---------------------------|---------------|--|--|--|--|--|
| ECN 2478 first release | REVISIONS | | FOR PREVIOUS REVISIONS SEE MRI LIST | DRWG SIGN KN CHK'D BY Cc APP'D BY JB SCALE | CAD/CAM PROJECT NAME S8504809_s61 | REVISIONS ONLY ON CAD SYSTEM SH. REV. |
| | REVISIONS | | | | UNLESS OTHERWISE SPECIFIED TOLERANCES: ANGULAR $\pm 2'$ INCH METRIC 3 PLACE \pm INCH \pm METRIC 2 PLACE \pm INCH \pm METRIC 1 PLACE \pm INCH \pm METRIC | SIGN SIGN SIGN |
| ▷ | LTR REVISIONS | | DRAFT WHERE APPLICABLE MUST REMAIN WITHIN DIMENSIONS DESIGN DIMENSION <input type="checkbox"/> MM <input type="checkbox"/> IN. EQUIVALENT DIMENSION <input type="checkbox"/> MM <input type="checkbox"/> IN. IF TWO DIMENSIONS ARE SHOWN, THE UPPER IS THE DESIGN DIMENSION, LOWER IS SECONDARY | TITLE 24 pos. female connector acc. DIN 41612, style M contacts arrangement | PART NO. 85048-0969 | DWG NO. SD-85048-0969 SIZE A |