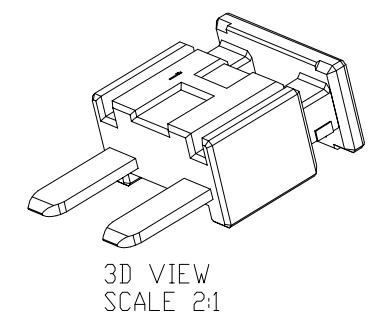
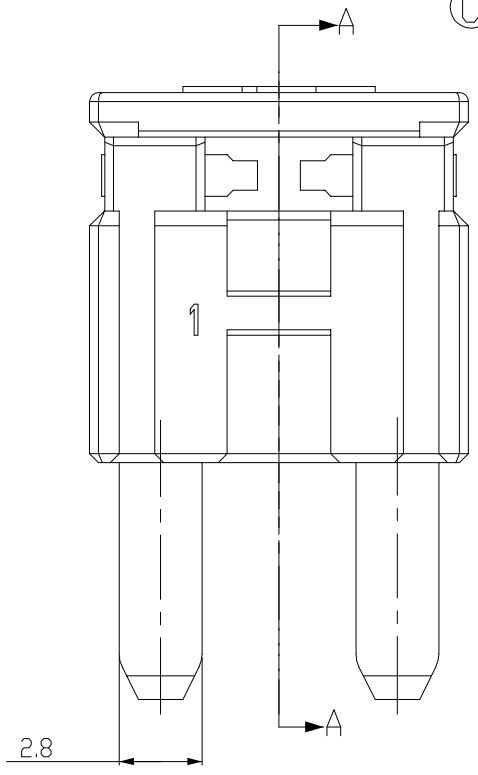
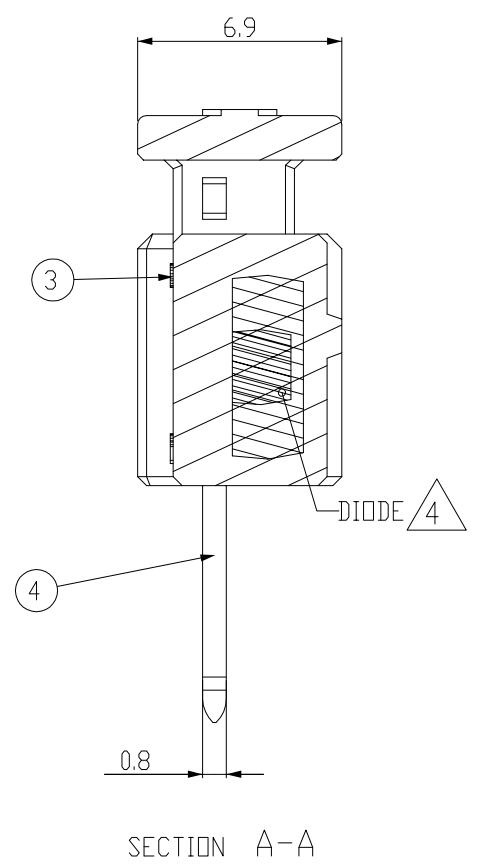
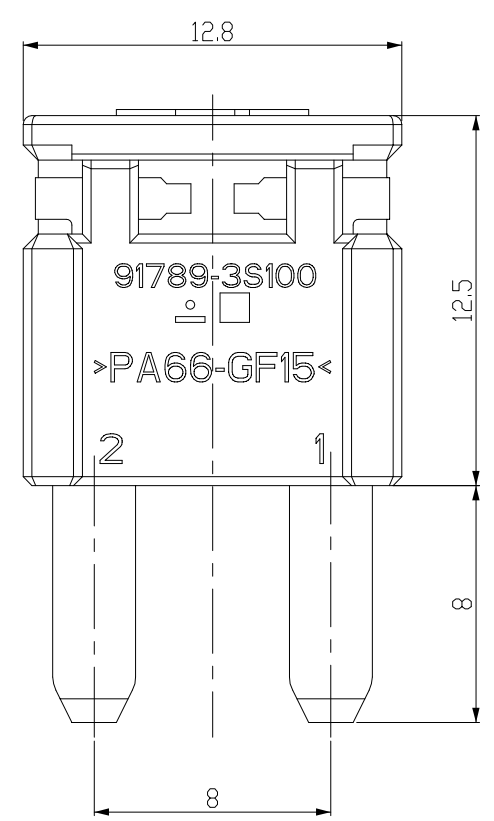
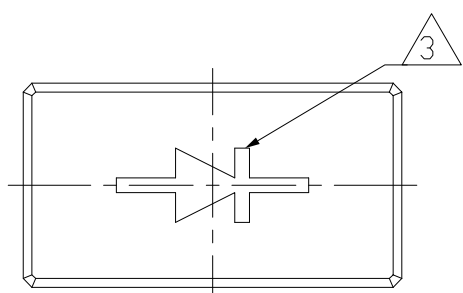


THIS DRAWING IS UNPUBLISHED. RELEASED FOR PUBLICATION
 © COPYRIGHT 19 BY TYCO ELECTRONICS CORPORATION. ALL INTERNATIONAL RIGHTS RESERVED.

LOC	DIST	REVISIONS			
P	LTR	DESCRIPTION	DATE	DWN	APVD
DS	-	A	RELEASED	19.DEC.11	JY HG
		B	REVISED (ECR-12-021690)	02.JAN.13	HC HG
		C	REVISED (ECR-13-011594)	29.JUL.13	HC HG

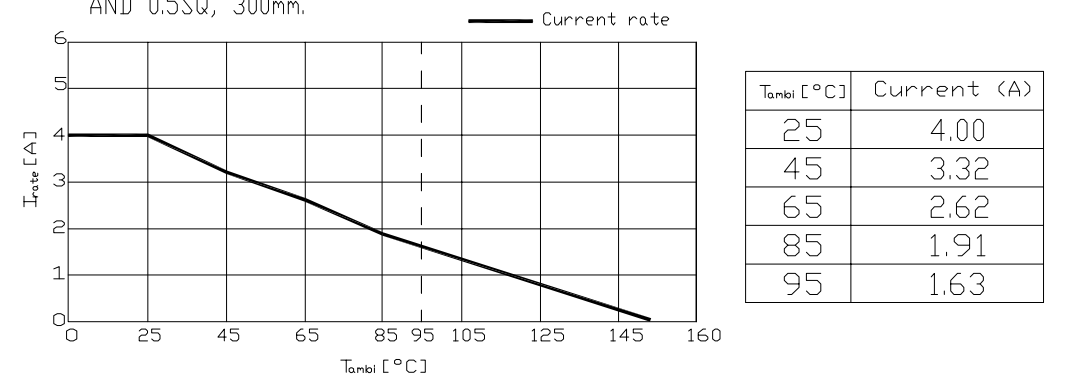


NOTES.

- 1 .GENERAL TOLERANCE: ±0.3, ±3°
- 2 .THE MATING P/N : 2109366-2
- 3 DIODE DIRECTION
- 4 DIODE CHIP PRIMARY CHARACTERISTIC(at 25°C unless otherwise noted)
 - Rating Current at 25 °C : 5A

PARAMETER	SYMBOL	VALUE
Maximum average forward rectified current	$I_{(AV)}$	5.0 A
Maximum recurrent peak reverse voltage	V_{RRM}	1000V
Maximum DC blocking voltage	V_{DC}	1000V
Peak forward surge current 8.3ms single half sine-wave superimposed on rated load	I_{FSM}	100A
Operating junction and storage temperature range	-	-55°C to 150 °C

4. MAXIMUM FORWARD CURRENT OF DIODE ASS'Y AS A FUNCTION OF AMBIENT TEMPERATURE WITH CONNECTOR AND 0.5SQ, 300mm.



PART NO	PARK NAME	MATERIAL	COLOR(HSG)	MATERIAL(TML)	FINISH(TML)	REMARK
1-2109363-2	DIODE ASSEMBLY	PA66-GF15	BLACK	Copper Alloy	Reflow Tin	LEAD FREE
-	-	-	-	-	-	-

NO	FINISH/COLOR	MATERIAL	DESCRIPTION	QTY	P/N
4	-	4	CHIP DIODE ASSEMBLY (POST-TIN)	1	-
3	BLACK	PA66-GF15	DIODE ASSEMBLY (POST-TIN)	1	1-2109363-2
2	-	-	CHIP DIODE ASSEMBLY	1	-
1	BLACK	PA66-GF15	DIODE ASSEMBLY	1	2109363-2

DIMENSIONS:	TOLERANCES UNLESS OTHERWISE SPECIFIED
mm	
0 PLC	±-
1 PLC	±0.5
2 PLC	±0.13
3 PLC	±0.013
4 PLC	±0.0001
ANGLES	±-
MATERIAL	FINISH
	-

TE Connectivity

DIODE ASSEMBLY

APVD: HG CHO
 PRODUCT SPEC

APPLICATION SPEC

WEIGHT

CUSTOMER DRAWING

SIZE: A3
 CAGE CODE: -
 DRAWING NO: ©-2109363
 RESTRICTED TO: -

SCALE: 4:1
 SHEET: 1 OF 1
 REV: C