

# ESD2CANFD24 24-V, 2-Channel ESD Protection Diode for In-Vehicle Networks

## 1 Features

- IEC 61000-4-2 level 4 ESD protection:
  - ±25-kV contact discharge
  - ±25-kV air-gap discharge
- Tested in compliance to IEC 61000-4-5
- 24 V working voltage
- Bidirectional ESD protection
- 2-channel device provides complete ESD protection with single component
- Low clamping voltage protects downstream components
- I/O capacitance = 2.5 pF (typical)
- SOT-23 (DBZ) small, standard, common footprint
- Leaded packages used for automatic optical inspection (AOI)

## 2 Applications

- **Industrial control networks:**
  - DeviceNet IEC 62026-3
  - CANopen – CiA 301/302-2 and EN 50325-4

## 3 Description

The ESD2CANFD24 is a bidirectional ESD protection diode for Controller Area Network (CAN) interface protection. The ESD2CANFD24 is rated to dissipate contact ESD strikes beyond the maximum level specified in the IEC 61000-4-2 standard (±25-kV Contact, ±25-kV Airgap). The low dynamic resistance and low clamping voltage enables system level protection against transient events. This protection is key as systems require a high level of robustness and reliability for safety applications.

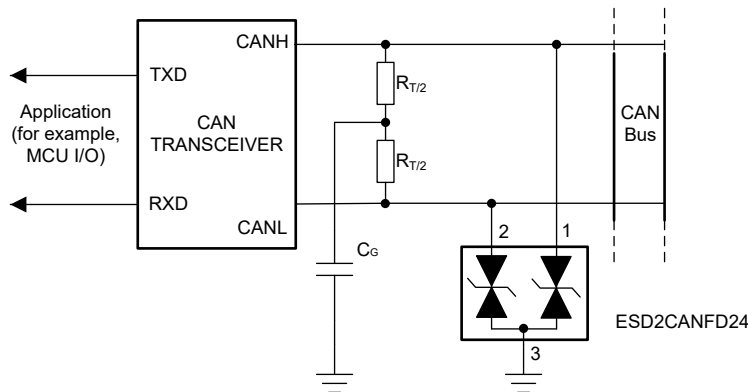
This device features a low IO capacitance per channel and a pin-out to suit two CAN bus lines (CANH and CANL) from the damage caused by ElectroStatic Discharge (ESD) and other transients. Additionally, the 2.5 pF (typical) or less line capacitance of the ESD2CANFD24 is suitable for CAN, CANFD, CAN SiC, and CAN-XL applications that can support data rates up to 10 Mbps.

The ESD2CANFD24 is offered in a leaded package for easy flow through routing.

### Package Information<sup>(1)</sup>

PART NUMBER	PACKAGE	BODY SIZE (NOM)
ESD2CANFD24	DBZ (SOT-23, 3)	2.92 mm × 1.30 mm

(1) For all available packages, see the orderable addendum at the end of the data sheet.



**ESD2CANFD24 Typical Application**



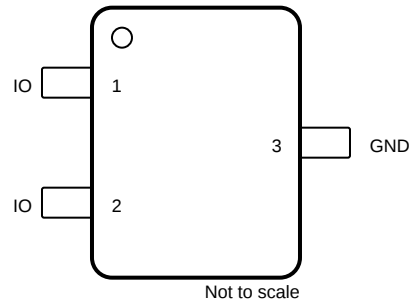
## Table of Contents

<b>1 Features</b> .....	1	7.4 Device Functional Modes.....	9
<b>2 Applications</b> .....	1	<b>8 Application and Implementation</b> .....	10
<b>3 Description</b> .....	1	8.1 Application Information.....	10
<b>4 Revision History</b> .....	2	8.2 Typical Application.....	10
<b>5 Pin Configuration and Functions</b> .....	3	<b>9 Power Supply Recommendations</b> .....	12
<b>6 Specifications</b> .....	4	<b>10 Layout</b> .....	12
6.1 Absolute Maximum Ratings.....	4	10.1 Layout Guidelines.....	12
6.2 ESD Ratings—JEDEC Specification.....	4	10.2 Layout Example.....	12
6.3 ESD Ratings—IEC Specification.....	4	<b>11 Device and Documentation Support</b> .....	13
6.4 Recommended Operating Conditions.....	4	11.1 Documentation Support.....	13
6.5 Thermal Information.....	4	11.2 Receiving Notification of Documentation Updates..	13
6.6 Electrical Characteristics.....	5	11.3 Support Resources.....	13
6.7 Typical Characteristics – ESD2CANFD24.....	6	11.4 Trademarks.....	13
<b>7 Detailed Description</b> .....	8	11.5 Electrostatic Discharge Caution.....	13
7.1 Overview.....	8	11.6 Glossary.....	13
7.2 Functional Block Diagram.....	8	<b>12 Mechanical, Packaging, and Orderable Information</b> .....	13
7.3 Feature Description.....	8		

## 4 Revision History

DATE	REVISION	NOTES
November 2022	*	Initial Release

## 5 Pin Configuration and Functions



**Figure 5-1. DBZ Package, 3-Pin SOT-23 (Top View)**

**Table 5-1. Pin Functions**

PIN		TYPE <sup>(1)</sup>	DESCRIPTION
NAME	NO.		
IO	1, 2	I/O	ESD protected IO
GND	3	G	Connect to ground.

(1) I = Input, O = Output, I/O = Input or Output, G = Ground, P = Power

## 6 Specifications

### 6.1 Absolute Maximum Ratings

over operating free-air temperature range (unless otherwise noted)<sup>(1)</sup>

Parameter		DEVICE	MIN	MAX	UNIT
P <sub>PP</sub>	IEC 61000-4-5 Power (t <sub>p</sub> – 8/20 μs) at 25°C	ESD2CANFD24		133	W
I <sub>PP</sub>	IEC 61000-4-5 current (t <sub>p</sub> – 8/20 μs) at 25°C			3.5	A
T <sub>A</sub>	Operating free-air temperature		-55	150	°C
T <sub>J</sub>	Junction temperature		-55	150	
T <sub>stg</sub>	Storage temperature		-65	155	

- (1) Operation outside the Absolute Maximum Ratings may cause permanent device damage. Absolute Maximum Ratings do not imply functional operation of the device at these or any other conditions beyond those listed under Recommended Operating Conditions. If used outside the Recommended Operating Conditions but within the Absolute Maximum Ratings, the device may not be fully functional, and this may affect device reliability, functionality, performance, and shorten the device lifetime.

### 6.2 ESD Ratings—JEDEC Specification

PARAMETER	TEST CONDITION	VALUE	UNIT
V <sub>(ESD)</sub>	Human body model (HBM), per ANSI/ESDA/JEDEC JS-001 <sup>(1)</sup>	± 2500	V
	Charged device model (CDM), per JEDEC specification JS-002 <sup>(2)</sup>	± 1000	

- (1) JEDEC document JEP155 states that 500-V HBM allows safe manufacturing with a standard ESD control process.  
 (2) JEDEC document JEP157 states that 250-V CDM allows safe manufacturing with a standard ESD control process.

### 6.3 ESD Ratings—IEC Specification

over T<sub>A</sub> = 25°C (unless otherwise noted)

Parameter	Test Conditions	DEVICE	VALUE	UNIT
V <sub>(ESD)</sub>	IEC 61000-4-2 Contact Discharge, all pins	ESD2CANFD24	±25000	V
	IEC 61000-4-2 Air-gap Discharge, all pins		±25000	

### 6.4 Recommended Operating Conditions

over operating free-air temperature range (unless otherwise noted)

Parameter		MIN	NOM	MAX	UNIT
V <sub>IN</sub>	Input voltage	-24		24	V
T <sub>A</sub>	Operating free-air temperature	-55		150	°C

### 6.5 Thermal Information

THERMAL METRIC <sup>(1)</sup>		ESD2CANFD24	UNIT
		DBZ (SOT-23)	
		3 PINS	
R <sub>θJA</sub>	Junction-to-ambient thermal resistance	316.3	°C/W
R <sub>θJC(top)</sub>	Junction-to-case (top) thermal resistance	170.7	°C/W
R <sub>θJB</sub>	Junction-to-board thermal resistance	156.2	°C/W
Ψ <sub>JT</sub>	Junction-to-top characterization parameter	45.9	°C/W
Ψ <sub>JB</sub>	Junction-to-board characterization parameter	155.1	°C/W
R <sub>θJC(bot)</sub>	Junction-to-case (bottom) thermal resistance	N/A	°C/W

- (1) For more information about traditional and new thermal metrics, see the [Semiconductor and IC Package Thermal Metrics](#) application report.

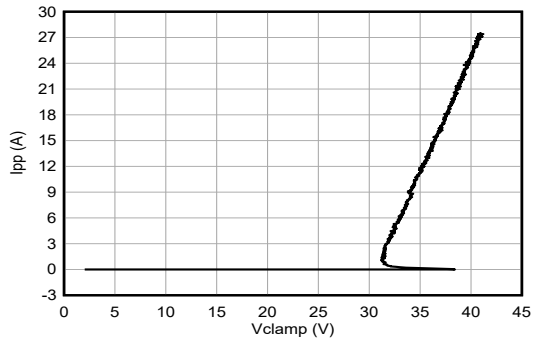
## 6.6 Electrical Characteristics

over  $T_A = 25^\circ\text{C}$  (unless otherwise noted)<sup>(1)</sup>

PARAMETER		TEST CONDITIONS	DEVICE	MIN	TYP	MAX	UNIT
$V_{RWM}$	Reverse stand-off voltage		ESD2CANFD24	-24		24	V
$V_{BRF}$	Breakdown voltage <sup>(2)</sup>	$I_{IO} = 10\text{ mA}$ , IO to GND	ESD2CANFD24	25.5		35.5	V
$V_{BRR}$	Breakdown voltage <sup>(2)</sup>	$I_{IO} = -10\text{ mA}$ , IO to GND	ESD2CANFD24	-35.5		-25.5	V
$V_{CLAMP}$	Clamping voltage <sup>(3)</sup>	$I_{PP} = 3.5\text{ A}$ , $t_p = 8/20\ \mu\text{s}$ , IO to GND	ESD2CANFD24		37		V
$V_{CLAMP}$	Clamping voltage <sup>(4)</sup>	$I_{PP} = 16\text{ A}$ , TLP, IO to GND or GND to IO	ESD2CANFD24		36		V
$I_{LEAK}$	Leakage current	$V_{IO} = \pm 24\text{ V}$ , IO to GND	ESD2CANFD24	-50	5	50	nA
$R_{DYN}$	Dynamic resistance <sup>(4)</sup>	IO to GND or GND to IO	ESD2CANFD24		0.45		$\Omega$
$C_L$	Line capacitance <sup>(5)</sup>	$V_{IO} = 0\text{ V}$ , $f = 1\text{ MHz}$ , $V_{pp} = 30\text{ mV}$	ESD2CANFD24		2.5	4.2	pF
$V_{Hold}$	Holding voltage after snapback	TLP	ESD2CANFD24		30		V

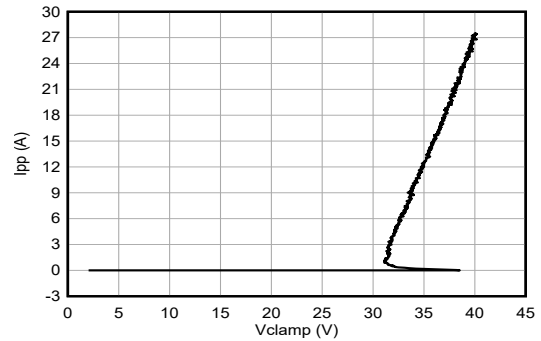
- (1) Measurements made on each IO channel
- (2)  $V_{BRF}$  and  $V_{BRR}$  are defined as the voltage when  $\pm 10\text{ mA}$  is applied in the positive and negative going direction respectively, before the device latches into the snapback state
- (3) Device stressed with  $8/20\ \mu\text{s}$  exponential decay waveform according to IEC 61000-4-5
- (4) Non-repetitive current pulse, Transmission Line Pulse (TLP); square pulse; ANSI / ESD STM5.5.1-2008
- (5) Measured from IO to GND on each channel

## 6.7 Typical Characteristics – ESD2CANFD24



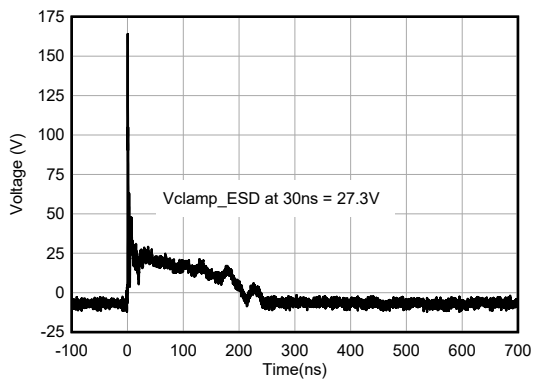
tp = 100 ns, Transmission Line Pulse (TLP)

**Figure 6-1. Positive TLP Curve**

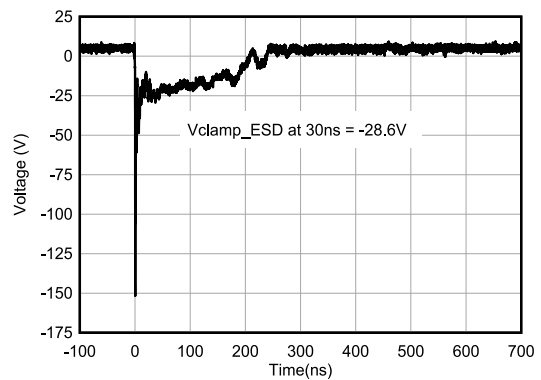


tp = 100 ns, Transmission Line Pulse (TLP)

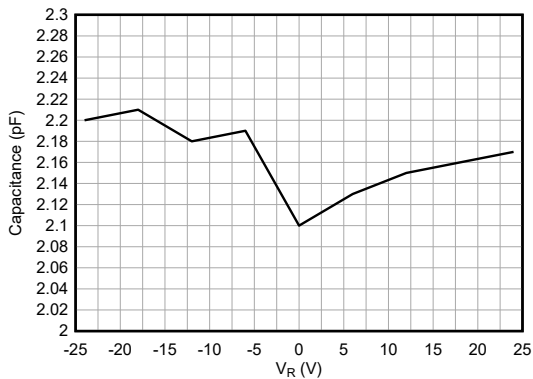
**Figure 6-2. Negative TLP Curve**



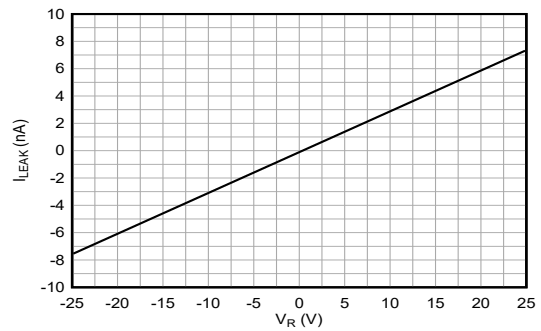
**Figure 6-3. +8-kV Clamped IEC Waveform**



**Figure 6-4. -8-kV Clamped IEC Waveform**



**Figure 6-5. Capacitance vs. Bias Voltage**



TA = 150 °C  
 ILEAK is less than 1 nA at -55 °C and 25 °C.

**Figure 6-6. Leakage Current vs. Bias Voltage Across Temperature**

### 6.7 Typical Characteristics – ESD2CANFD24 (continued)

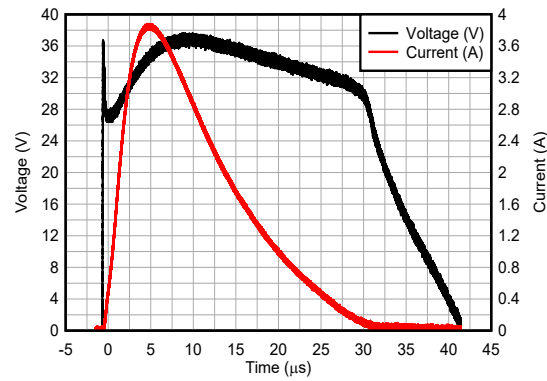


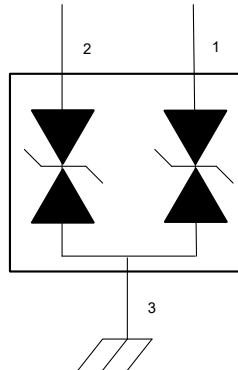
Figure 6-7. 8/20 µs Surge Response at 3.5 A

## 7 Detailed Description

### 7.1 Overview

The ESD2CANFD24 is a dual-channel ESD TVS diode in SOT-23 leaded package which is convenient for automatic optical inspection. This product offers IEC 61000-4-2  $\pm 25$ -kV air-gap,  $\pm 25$ -kV contact ESD protection, and has a clamp circuit with a back-to-back TVS diode for bidirectional signal support. The 2.5 pF (typical) or less line capacitance of this ESD protection diode is suitable for CAN, CANFD, CAN SiC, and CAN-XL applications that can support data rates up to 10 Mbps. A typical application for this product is ESD circuit protection for CAN transceivers.

### 7.2 Functional Block Diagram



### 7.3 Feature Description

The ESD2CANFD24 is a bidirectional TVS with a high ESD protection level. This device protects the circuit from ESD strikes up to  $\pm 25$ -kV contact and  $\pm 25$ -kV air-gap specified in the IEC 61000-4-2 standard. The device can also handle up to 3.5 A surge current (IEC 61000-4-5 8/20  $\mu$ s). The I/O capacitance of 2.5-pF (typical) supports a data rate up to 10 Mbps. This clamping device has a small dynamic resistance, which makes the clamping voltage low when the device is actively protecting other circuits. For example, the clamping voltage is only 37 V when the device is taking 3.5 A transient surge current. The breakdown is bidirectional so this protection device is a good fit for CAN which is a differential signal. Low leakage allows the diode to conserve power when working below the  $V_{RWM}$ . The temperature range of  $-55^{\circ}\text{C}$  to  $+150^{\circ}\text{C}$  makes this ESD device work at extensive temperatures in most environments. The leaded SOT-23 package is good for applications requiring automatic optical inspection (AOI).

#### 7.3.1 Temperature Range

This device is qualified to operate from  $-55^{\circ}\text{C}$  to  $+150^{\circ}\text{C}$ .

#### 7.3.2 IEC 61000-4-2 ESD Protection

The I/O pins can withstand ESD events of at least  $\pm 25$ -kV contact and  $\pm 25$ -kV air-gap in the leaded SOT-23 package according to the IEC 61000-4-2 standard. An ESD-surge clamp diverts the current to ground.

#### 7.3.3 IEC 61000-4-5 Surge Protection

The IO pins can withstand surge events up to 3.5 A (8/20  $\mu$ s waveform). An ESD-surge clamp diverts this current to ground.

#### 7.3.4 IO Capacitance

The capacitance between the I/O pins is 2.5 pF (typical) or less. This capacitance supports data rates for CAN, CANFD, CAN SiC, and CAN-XL up to 10 Mbps.

#### 7.3.5 Dynamic Resistance

The IO pins feature an ESD clamp that has a low  $R_{DYN}$  of 0.45  $\Omega$  (Pin 1 or Pin 2 to Pin 3) and 0.45  $\Omega$  (Pin 3 to Pin 1 or Pin 2) or less which prevents system damage during ESD events.



### 7.3.6 DC Breakdown Voltage

The DC breakdown voltage between the IO pins is a minimum of  $\pm 25.5$  V. This protects sensitive equipment from surges above the reverse standoff voltage of  $\pm 24$  V.

### 7.3.7 Ultra Low Leakage Current

The IO pins feature an ultra-low leakage current of  $\pm 50$  nA (maximum) with a bias of  $\pm 24$  V.

### 7.3.8 Clamping Voltage

The IO pins feature an ESD clamp that is capable of clamping the voltage to 37 V ( $I_{PP} = 3.5$  A) and 36 V ( $I_{PP} = 16$  A for TLP).

### 7.3.9 Industry Standard Leaded Packages

This device features an industry standard SOT-23 (DBZ) leaded package for automatic optical inspection (AOI).

## 7.4 Device Functional Modes

The ESD2CANFD24 is a dual channel passive clamp that has low leakage during normal operation when the voltage between pin 1 or pin 2 and pin 3 is below  $V_{RWM}$ , and activates when the voltage between pin 1 or pin 2 and pin 3 goes above  $V_{BR}$ . During IEC 61000-4-2 ESD events, transient voltages as high as  $\pm 25$  kV can be clamped on either channel. When the voltages on the protected lines fall below the  $V_{HOLD}$ , the device reverts back to the low leakage passive state.

## 8 Application and Implementation

### Note

Information in the following applications sections is not part of the TI component specification, and TI does not warrant its accuracy or completeness. TI's customers are responsible for determining suitability of components for their purposes, as well as validating and testing their design implementation to confirm system functionality.

### 8.1 Application Information

The ESD2CANFD24 is a dual channel TVS diode which is used to provide a path to ground for dissipating ESD events on differential CAN signal lines. As the current from ESD passes through the TVS, only a small voltage drop is present across the diode. This is the voltage presented to the protected IC. The low  $R_{DYN}$  of the triggered TVS holds this voltage,  $V_{CLAMP}$ , to a safe level for the protected IC.

### 8.2 Typical Application

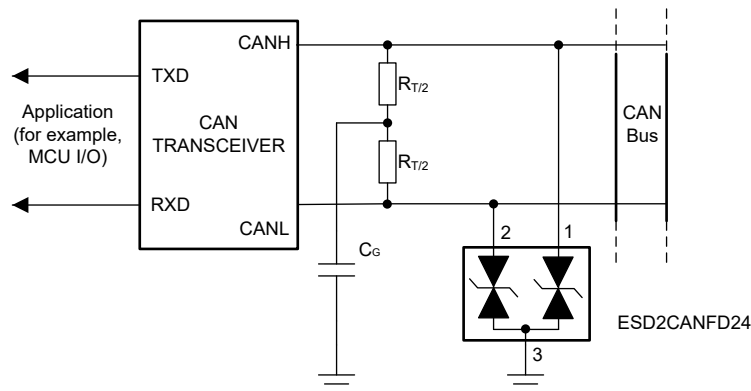


Figure 8-1. ESD2CANFD24 Typical Application

#### 8.2.1 Design Requirements

For this design example, the ESD2CANFD24 is used to provide ESD protection for a CAN transceiver. Table 8-1 lists the known design parameters for this application.

Table 8-1. Design Parameters for the ESD2CANFD24 Typical Application

Design Parameter	Value
Diode configuration	Bidirectional
$V_{IO}$ differential signal range	$> \pm 1.5$ V
$V_{RWM}$	$\pm 24$ V
Data rate	Up to 10 Mbps
$R_{T/2}$	60 $\Omega$

### 8.2.2 Detailed Design Procedure

The ESD2CANFD24 has a  $V_{RWM}$  of  $\pm 24$  V. The bidirectional characteristic enables the signal integrity of the differential CAN lines to not be impacted by the diode. The low capacitance of 2.5 pF (typical) or less enables data rates up to 10 Mbps, which allows the designer to meet the requirements for CAN, CANFD, CAN SiC, and CAN-XL. The 60  $\Omega$  split termination improves the electromagnetic emissions behavior of the network by filtering higher-frequency common-mode noise that may be present on the differential signal lines.

### 8.2.3 Application Curves

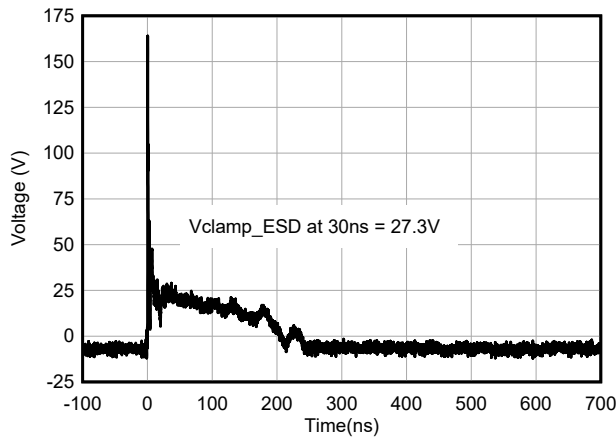


Figure 8-2. +8-kV Clamped IEC Waveform

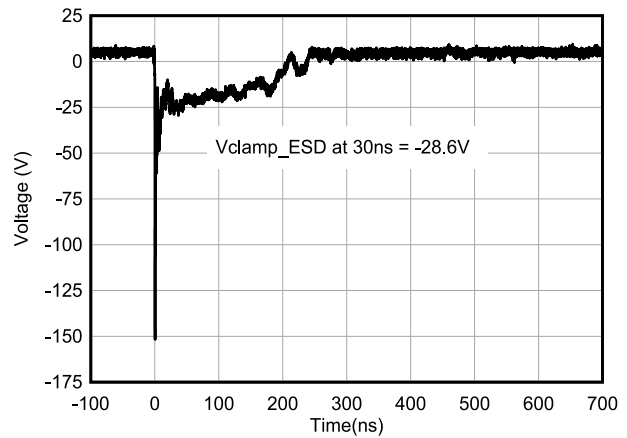


Figure 8-3. -8-kV Clamped IEC Waveform

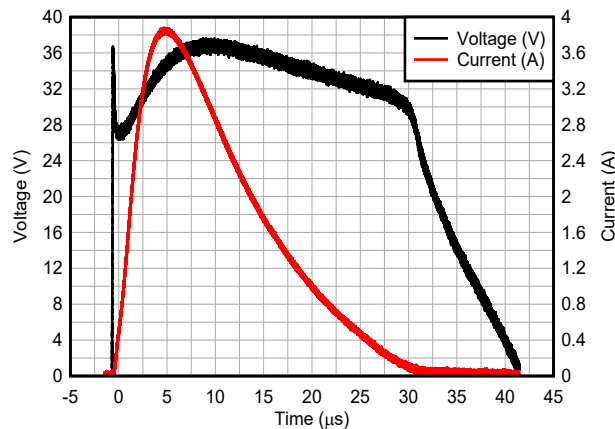


Figure 8-4. 8/20  $\mu$ s Surge Response at 3.5 A

## 9 Power Supply Recommendations

This device is a passive TVS diode-based ESD protection device, therefore there is no requirement to power it. Ensure that the maximum voltage specifications for each pin are not violated.

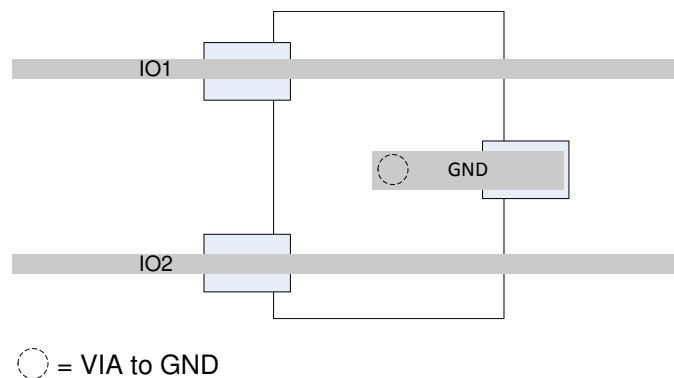
## 10 Layout

### 10.1 Layout Guidelines

- The optimum placement of the device is as close to the connector as possible.
  - EMI during an ESD event can couple from the trace being struck to other nearby unprotected traces, resulting in early system failures.
  - The PCB designer must minimize the possibility of EMI coupling by keeping any unprotected traces away from the protected traces which are between the TVS and the connector.
- Route the protected traces as straight as possible.
- Eliminate any sharp corners on the protected traces between the TVS and the connector by using rounded corners with the largest radii possible.
  - Electric fields tend to build up on corners, increasing EMI coupling.
- If pin 3 is connected to ground, use a thick and short trace for this return path.

### 10.2 Layout Example

This example is typical of a dual channel differential data pair application, such as CAN.



**Figure 10-1. Routing with DBZ Package**

## 11 Device and Documentation Support

TI offers an extensive line of development tools. Tools and software to evaluate the performance of the device, generate code, and develop solutions are listed below.

### 11.1 Documentation Support

#### 11.1.1 Related Documentation

For related documentation, see the following:

- Texas Instruments, [ESD Layout Guide user's guide](#)
- Texas Instruments, [ESD Protection Diodes EVM user's guide](#)
- Texas Instruments, [Generic ESD Evaluation Module user's guide](#)
- Texas Instruments, [Reading and Understanding an ESD Protection data sheet](#)

### 11.2 Receiving Notification of Documentation Updates

To receive notification of documentation updates, navigate to the device product folder on [ti.com](http://ti.com). Click on *Subscribe to updates* to register and receive a weekly digest of any product information that has changed. For change details, review the revision history included in any revised document.

### 11.3 Support Resources

TI E2E™ [support forums](#) are an engineer's go-to source for fast, verified answers and design help — straight from the experts. Search existing answers or ask your own question to get the quick design help you need.

Linked content is provided "AS IS" by the respective contributors. They do not constitute TI specifications and do not necessarily reflect TI's views; see TI's [Terms of Use](#).

### 11.4 Trademarks

TI E2E™ is a trademark of Texas Instruments.

All trademarks are the property of their respective owners.

### 11.5 Electrostatic Discharge Caution



This integrated circuit can be damaged by ESD. Texas Instruments recommends that all integrated circuits be handled with appropriate precautions. Failure to observe proper handling and installation procedures can cause damage.

ESD damage can range from subtle performance degradation to complete device failure. Precision integrated circuits may be more susceptible to damage because very small parametric changes could cause the device not to meet its published specifications.

### 11.6 Glossary

[TI Glossary](#) This glossary lists and explains terms, acronyms, and definitions.

## 12 Mechanical, Packaging, and Orderable Information

The following pages include mechanical, packaging, and orderable information. This information is the most current data available for the designated devices. This data is subject to change without notice and revision of this document. For browser-based versions of this data sheet, refer to the left-hand navigation.

**PACKAGING INFORMATION**

Orderable Device	Status (1)	Package Type	Package Drawing	Pins	Package Qty	Eco Plan (2)	Lead finish/ Ball material (6)	MSL Peak Temp (3)	Op Temp (°C)	Device Marking (4/5)	Samples
ESD2CANFD24DBZR	ACTIVE	SOT-23	DBZ	3	3000	RoHS & Green	NIPDAU	Level-1-260C-UNLIM	-50 to 150	2QO8	Samples

(1) The marketing status values are defined as follows:

**ACTIVE:** Product device recommended for new designs.

**LIFEBUY:** TI has announced that the device will be discontinued, and a lifetime-buy period is in effect.

**NRND:** Not recommended for new designs. Device is in production to support existing customers, but TI does not recommend using this part in a new design.

**PREVIEW:** Device has been announced but is not in production. Samples may or may not be available.

**OBSELETE:** TI has discontinued the production of the device.

(2) **RoHS:** TI defines "RoHS" to mean semiconductor products that are compliant with the current EU RoHS requirements for all 10 RoHS substances, including the requirement that RoHS substance do not exceed 0.1% by weight in homogeneous materials. Where designed to be soldered at high temperatures, "RoHS" products are suitable for use in specified lead-free processes. TI may reference these types of products as "Pb-Free".

**RoHS Exempt:** TI defines "RoHS Exempt" to mean products that contain lead but are compliant with EU RoHS pursuant to a specific EU RoHS exemption.

**Green:** TI defines "Green" to mean the content of Chlorine (Cl) and Bromine (Br) based flame retardants meet JS709B low halogen requirements of <=1000ppm threshold. Antimony trioxide based flame retardants must also meet the <=1000ppm threshold requirement.

(3) MSL, Peak Temp. - The Moisture Sensitivity Level rating according to the JEDEC industry standard classifications, and peak solder temperature.

(4) There may be additional marking, which relates to the logo, the lot trace code information, or the environmental category on the device.

(5) Multiple Device Markings will be inside parentheses. Only one Device Marking contained in parentheses and separated by a "-" will appear on a device. If a line is indented then it is a continuation of the previous line and the two combined represent the entire Device Marking for that device.

(6) Lead finish/Ball material - Orderable Devices may have multiple material finish options. Finish options are separated by a vertical ruled line. Lead finish/Ball material values may wrap to two lines if the finish value exceeds the maximum column width.

**Important Information and Disclaimer:**The information provided on this page represents TI's knowledge and belief as of the date that it is provided. TI bases its knowledge and belief on information provided by third parties, and makes no representation or warranty as to the accuracy of such information. Efforts are underway to better integrate information from third parties. TI has taken and continues to take reasonable steps to provide representative and accurate information but may not have conducted destructive testing or chemical analysis on incoming materials and chemicals. TI and TI suppliers consider certain information to be proprietary, and thus CAS numbers and other limited information may not be available for release.

In no event shall TI's liability arising out of such information exceed the total purchase price of the TI part(s) at issue in this document sold by TI to Customer on an annual basis.

**OTHER QUALIFIED VERSIONS OF ESD2CANFD24 :**

- Automotive : [ESD2CANFD24-Q1](#)

NOTE: Qualified Version Definitions:

- Automotive - Q100 devices qualified for high-reliability automotive applications targeting zero defects

**TAPE AND REEL INFORMATION**

**QUADRANT ASSIGNMENTS FOR PIN 1 ORIENTATION IN TAPE**


\*All dimensions are nominal

Device	Package Type	Package Drawing	Pins	SPQ	Reel Diameter (mm)	Reel Width W1 (mm)	A0 (mm)	B0 (mm)	K0 (mm)	P1 (mm)	W (mm)	Pin1 Quadrant
ESD2CANFD24DBZR	SOT-23	DBZ	3	3000	180.0	8.4	2.9	3.35	1.35	4.0	8.0	Q3



**TAPE AND REEL BOX DIMENSIONS**


\*All dimensions are nominal

Device	Package Type	Package Drawing	Pins	SPQ	Length (mm)	Width (mm)	Height (mm)
ESD2CANFD24DBZR	SOT-23	DBZ	3	3000	210.0	185.0	35.0

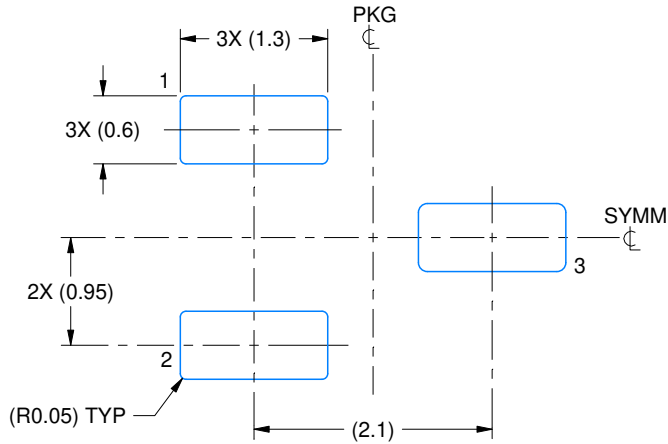


# EXAMPLE BOARD LAYOUT

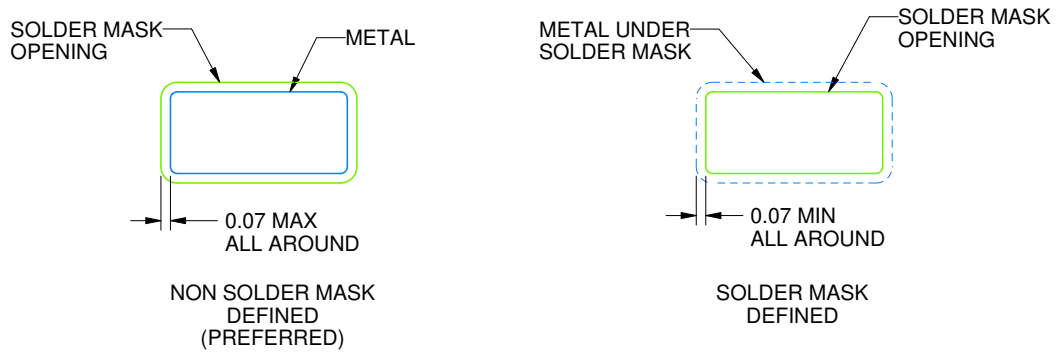
DBZ0003A

SOT-23 - 1.12 mm max height

SMALL OUTLINE TRANSISTOR



LAND PATTERN EXAMPLE  
SCALE:15X



SOLDER MASK DETAILS

4214838/D 03/2023

NOTES: (continued)

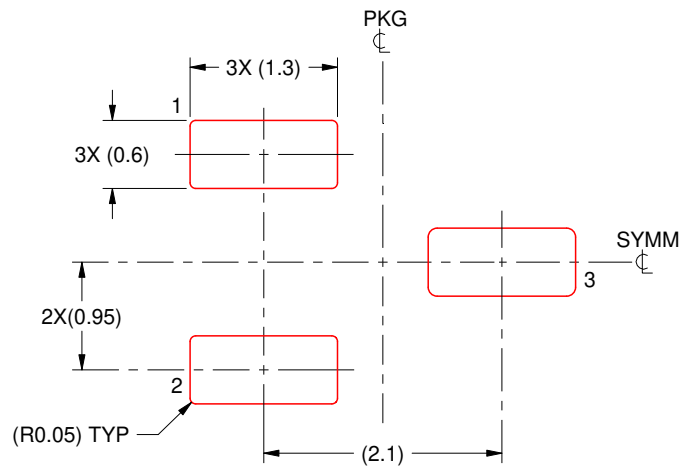
- 4. Publication IPC-7351 may have alternate designs.
- 5. Solder mask tolerances between and around signal pads can vary based on board fabrication site.

# EXAMPLE STENCIL DESIGN

DBZ0003A

SOT-23 - 1.12 mm max height

SMALL OUTLINE TRANSISTOR



SOLDER PASTE EXAMPLE  
BASED ON 0.125 THICK STENCIL  
SCALE:15X

4214838/D 03/2023

NOTES: (continued)

6. Laser cutting apertures with trapezoidal walls and rounded corners may offer better paste release. IPC-7525 may have alternate design recommendations.
7. Board assembly site may have different recommendations for stencil design.

## IMPORTANT NOTICE AND DISCLAIMER

TI PROVIDES TECHNICAL AND RELIABILITY DATA (INCLUDING DATA SHEETS), DESIGN RESOURCES (INCLUDING REFERENCE DESIGNS), APPLICATION OR OTHER DESIGN ADVICE, WEB TOOLS, SAFETY INFORMATION, AND OTHER RESOURCES "AS IS" AND WITH ALL FAULTS, AND DISCLAIMS ALL WARRANTIES, EXPRESS AND IMPLIED, INCLUDING WITHOUT LIMITATION ANY IMPLIED WARRANTIES OF MERCHANTABILITY, FITNESS FOR A PARTICULAR PURPOSE OR NON-INFRINGEMENT OF THIRD PARTY INTELLECTUAL PROPERTY RIGHTS.

These resources are intended for skilled developers designing with TI products. You are solely responsible for (1) selecting the appropriate TI products for your application, (2) designing, validating and testing your application, and (3) ensuring your application meets applicable standards, and any other safety, security, regulatory or other requirements.

These resources are subject to change without notice. TI grants you permission to use these resources only for development of an application that uses the TI products described in the resource. Other reproduction and display of these resources is prohibited. No license is granted to any other TI intellectual property right or to any third party intellectual property right. TI disclaims responsibility for, and you will fully indemnify TI and its representatives against, any claims, damages, costs, losses, and liabilities arising out of your use of these resources.

TI's products are provided subject to [TI's Terms of Sale](#) or other applicable terms available either on [ti.com](https://www.ti.com) or provided in conjunction with such TI products. TI's provision of these resources does not expand or otherwise alter TI's applicable warranties or warranty disclaimers for TI products.

TI objects to and rejects any additional or different terms you may have proposed.

Mailing Address: Texas Instruments, Post Office Box 655303, Dallas, Texas 75265  
Copyright © 2023, Texas Instruments Incorporated