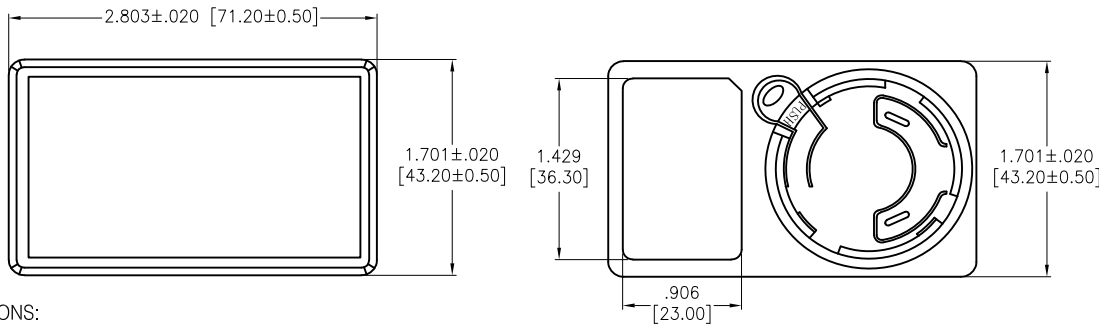
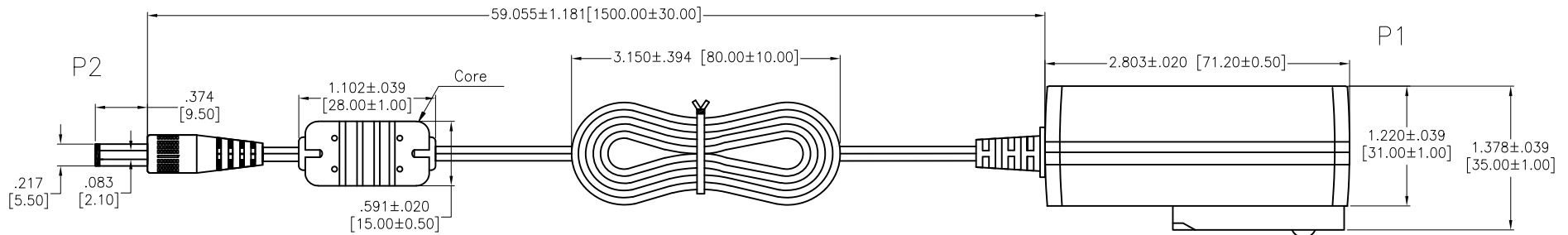


APPROVED: _____
 DATE: _____ TITLE: _____

Rev	AWO #	Description	Date	Appr
-		RELEASED	3/23/21	
A		ADDED TOLERANCE	6/10/21	WX/AC
B		UPDATE LABEL	7/19/21	WX/AC



SPECIFICATIONS:

Connector
 P1: Power Adapter, W/Strain
 P2: DC Plug, W/Strain Relief, AC PIN: Brass Nickel plated, 5.5*2.1*9.5mm
 Overmold Color: Black PVC-45P

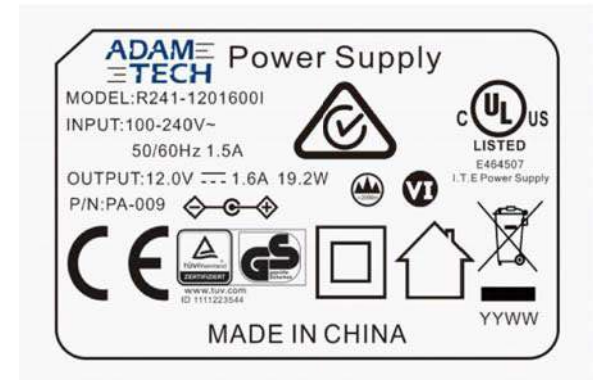
CABLE:
 UL2468: 22AWG*2C 80°C, Jacket Color: Black

Electrical:
 Input:
 Voltage: 100Vac to 240Vac
 Current: 1.5A Max. @ 100Vac input & max load
 Frequency: 50Hz / 60Hz

Output:
 Voltage: 12V
 Current: 1.6A max.
 Load Regulation: ±5%
 Line Regulation: ±3%
 Line Load Regulation-Output Rate: 12V, 1.6A
 Insulation Resistance: 100 Mohms min @ 500VDC
 Dielectric withstanding voltage (Hi-pot): 3,000V AC For 1 Minute
 Leakage Current: 0.25mA max. @ 240V AC/50Hz

Temperature Rating:
 Operating Temperature: 0°C to +45°C
 Storage Temperature: -25°C to +85°C

Environmental:
 Lead free, RoHS compliant.



SEE SHT 2 OF 2 FOR PLUG TYPE OPTIONS

UNLESS OTHERWISE SPECIFIED ALL DIMENSIONS ARE INCHES [MM] TOLERANCES: EXCEPT AS NOTED		909 Rahway Avenue, Union, NJ 07083 Phone: 908-687-5000 Fax: 908-687-5710																	
INCHES		HOLES																	
.X ± .10	∅X ± .10	<table border="1"> <tr> <td colspan="2">APPROVALS</td> <td colspan="2">DATE</td> </tr> <tr> <td>DRAWN</td> <td>WX</td> <td colspan="2">3/23/21</td> </tr> <tr> <td>CHECKED</td> <td>AC</td> <td colspan="2">3/23/21</td> </tr> <tr> <td>APPROVED</td> <td></td> <td colspan="2"></td> </tr> </table>		APPROVALS		DATE		DRAWN	WX	3/23/21		CHECKED	AC	3/23/21		APPROVED			
APPROVALS				DATE															
DRAWN	WX			3/23/21															
CHECKED	AC	3/23/21																	
APPROVED																			
.XX ± .020	∅XX ± .015	TITLE POWER ADAPTER TO DC PLUG, COLOR BLACK 12 VOLT, 1.6AMP, UL2468 22AWG, 5.5X2.1X9.5MM																	
.XXX ± .015	∅XXX ± .010	SIZE X																	
PART NO. PA-009-X		REV. B																	
REF:		SCALE: NTS																	
SHEET 1 OF 2																			

6

5

4

3

2

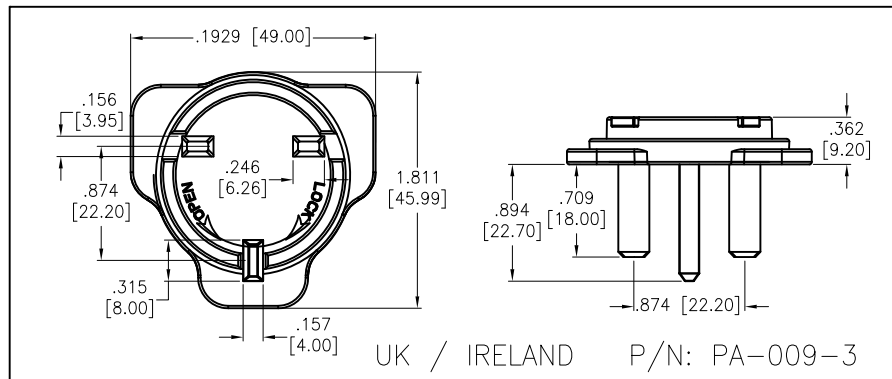
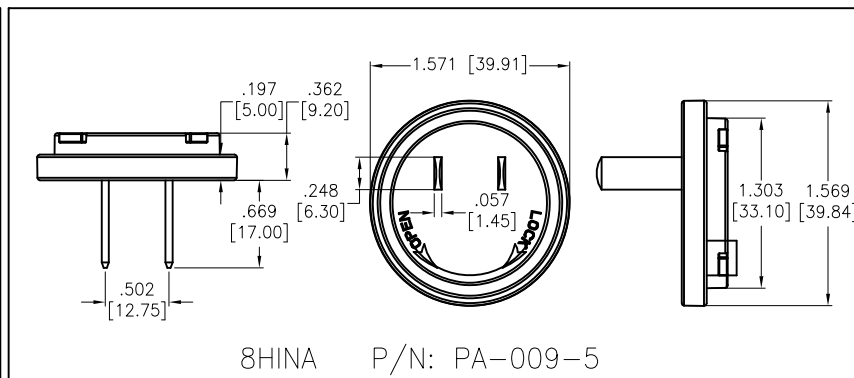
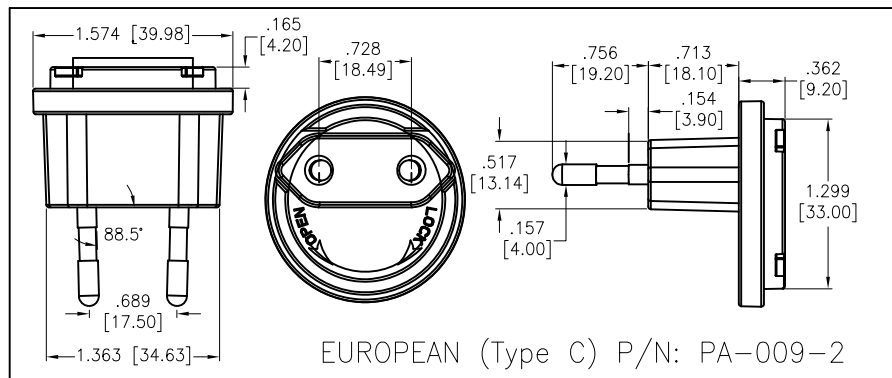
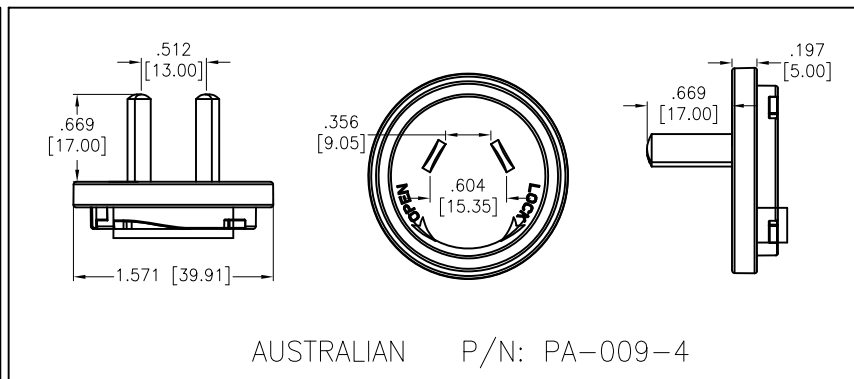
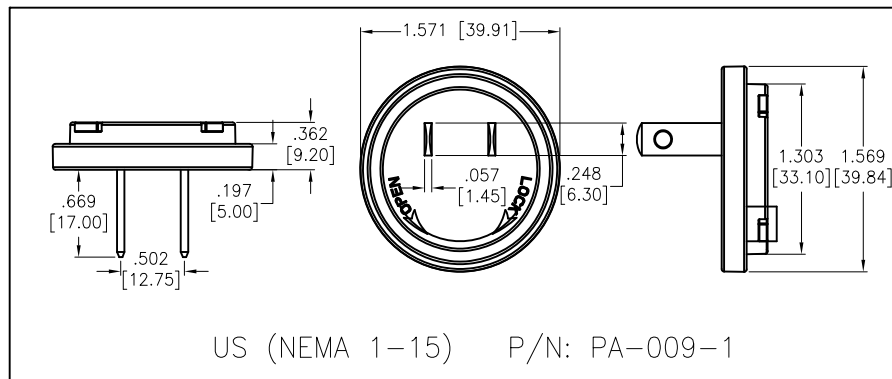
1

APPROVED: _____

DATE: _____ TITLE: _____

Rev	AWO #	Description	Date	Appr
-----	-------	-------------	------	------

SEE SHT 1 OF 2 FOR REVISION



UNLESS OTHERWISE SPECIFIED
 ALL DIMENSIONS ARE INCHES [MM]
 TOLERANCES: EXCEPT AS NOTED
 INCHES HOLES
 .X ± .10 ØX ± .10
 .XX ± .020 ØXX ± .015
 .XXX ± .015 ØXXX ± .010

**ADAM
 TECH**

909 Rahway Avenue,
 Union, NJ 07083
 Phone: 908-687-5000
 Fax: 908-687-5710

APPROVALS		DATE
DRAWN	WX	3/23/21
CHECKED	AC	3/23/21
APPROVED		

TITLE		
POWER ADAPTER TO DC PLUG, COLOR BLACK 12 VOLT, 1.6AMP, UL2468 22AWG, 5.5X2.1X9.5MM		
SIZE	PART NO.	REV.
X	PA-009-X	B
REF:	SCALE: NTS	SHEET 2 OF 2

6

5

4

3

2

1