

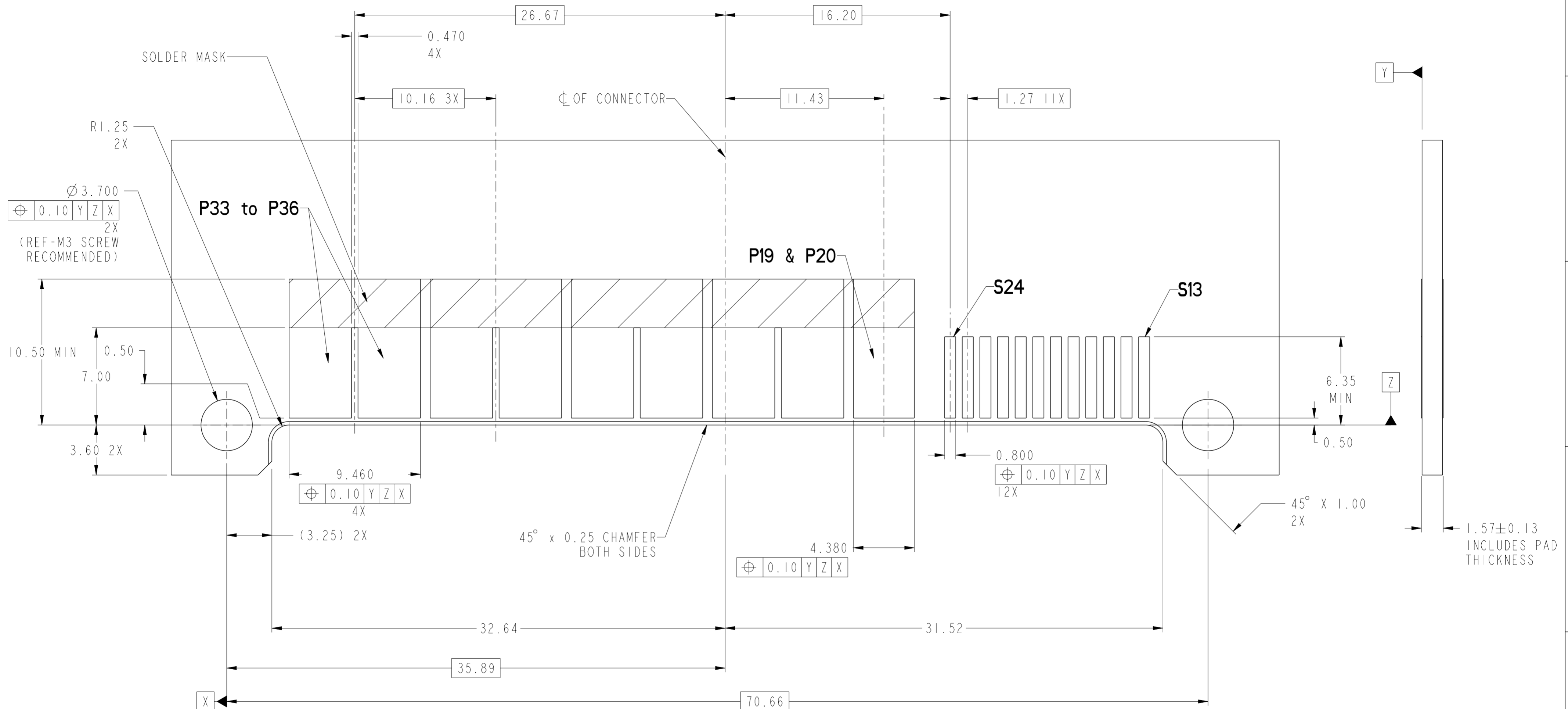
REV	ECN NO.	DR	DATE
A	---	Helen	2011-07-06
B	ELX-DG-004481-1	WL	2011-07-19
C	ELX-DG-008380-1	HZ	2011-12-01

spec ref	-
tolerance std	ASME Y14.5
surface	✓
ASME Y14.5	linear
	angular

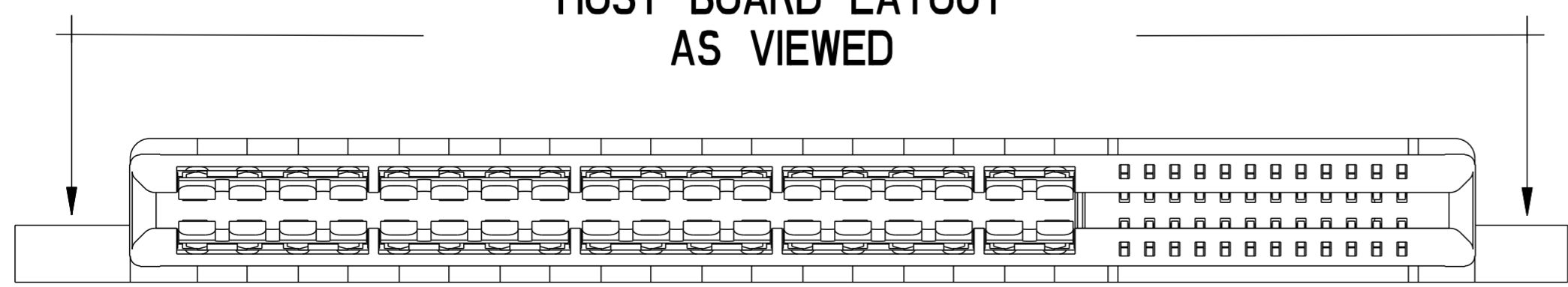
dr	Wei-Long Zhang	2011/06/21
eng	Wei-Long Zhang	2011/12/01
chr	Eleven Hu	2011/12/09
appr	Fai-Ming Zheng	2011/12/09

projection	MM	size	A2	scale	4:1
product family	CARD EDGE	ecn no	ELX-DG-008380-1	rel level	Released
title	HPCE-STRADDLE MT (36P-24S) (RECEPTACLE) SPECIAL CASE	dwg no	10118593	rev	C
cat. no.	-	Product - Customer Drw	sheet 1 of 5		

NEW RECOMENDED HOST BOARD LAYOUT FOR IMPROVED SOLDER REFLOW PROCESS



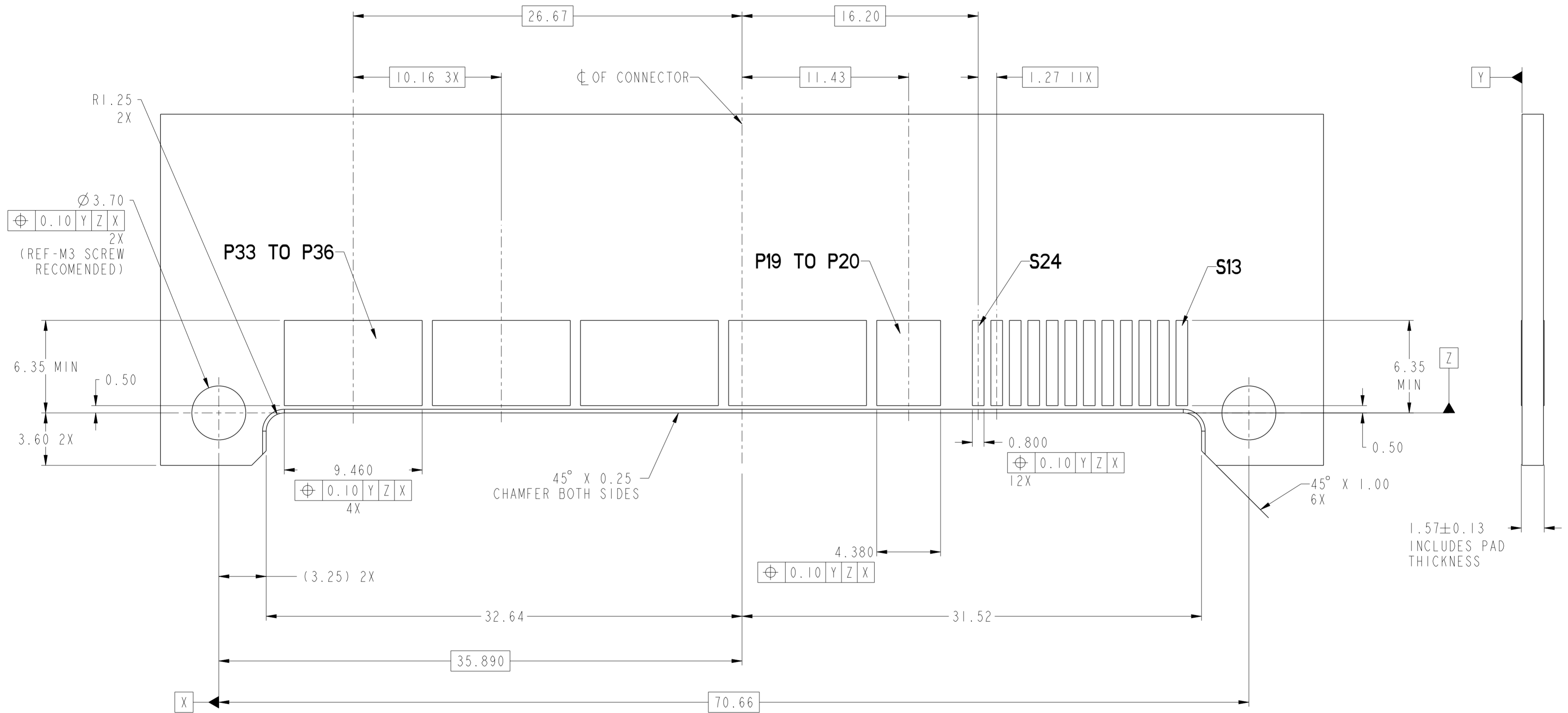
HOST BOARD LAYOUT AS VIEWED



SCALE 7:2

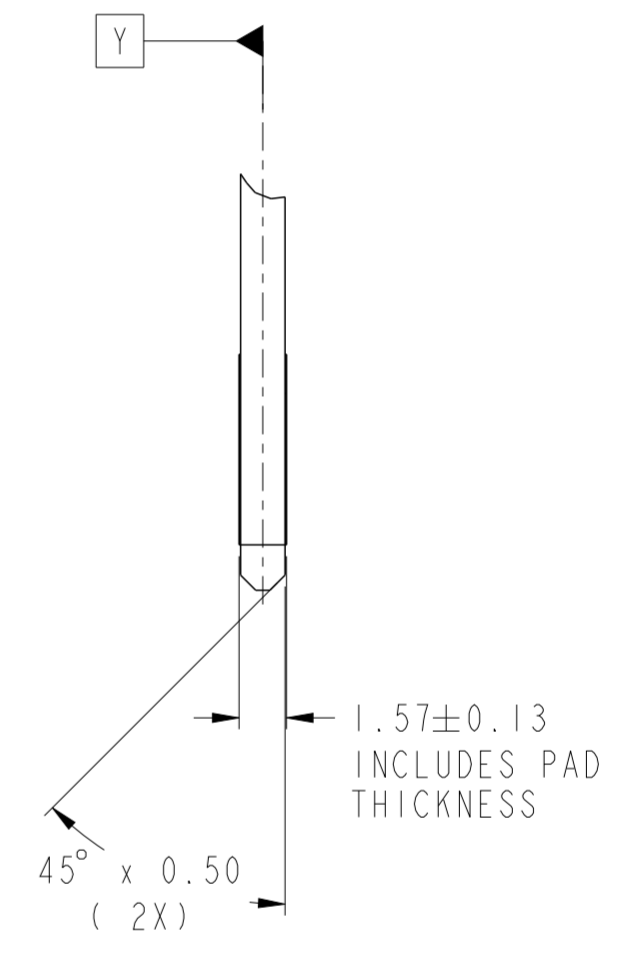
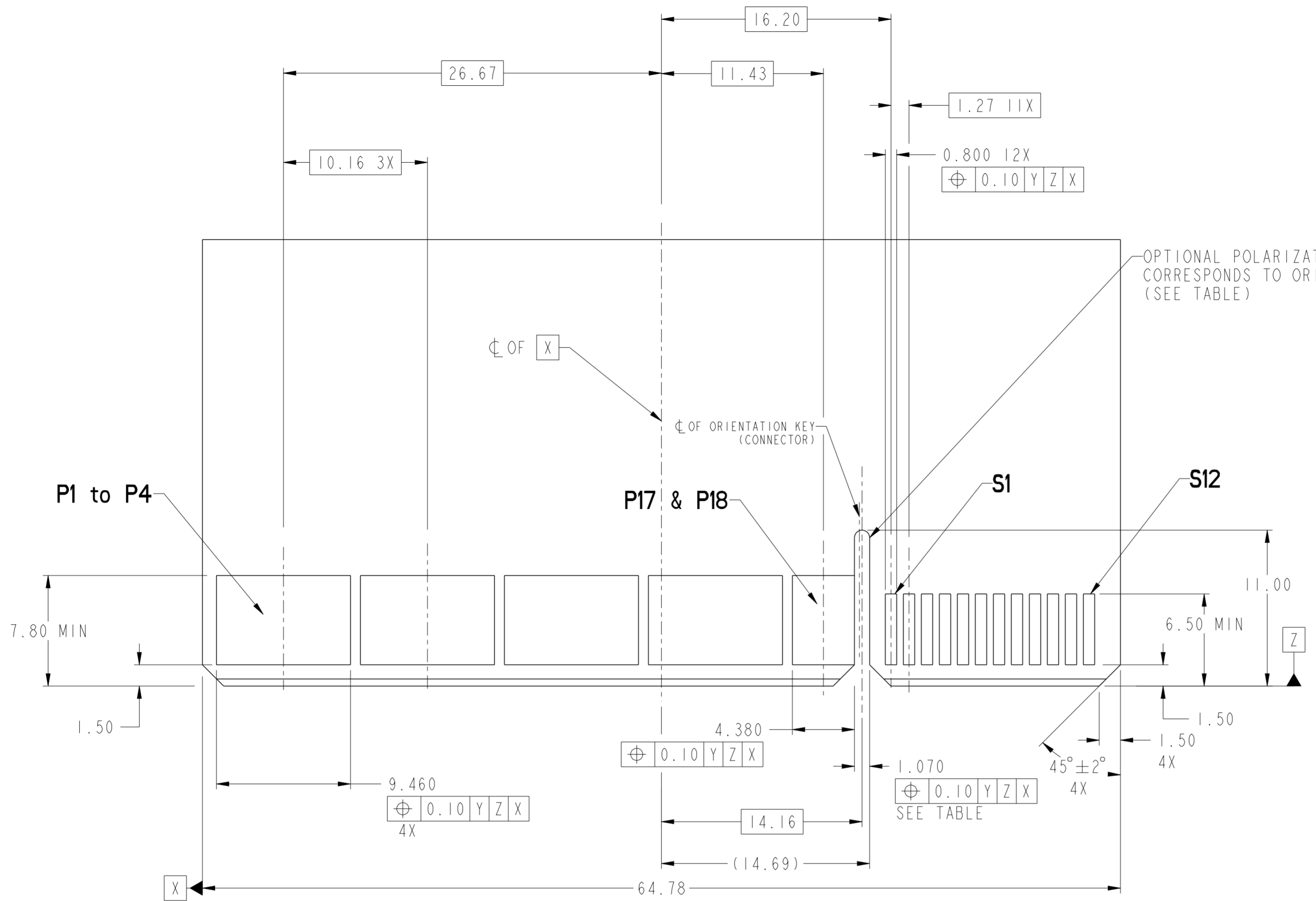
dr	Wei-Long Zhang	2011/06/21	projection	MM	size	A2	scale	4:1
eng	Wei-Long Zhang	2011/12/01		MM	A2	ELX-DG-008380-1	rel level	Released
chr	Eleven Hu	2011/12/09						
appr	Pai-Ming Zheng	2011/12/09	product family	CARD EDGE	rel level	Released		
		title HPCE-STRADDLE MT (36P-24S) (RECEPTACLE) SPECIAL CASE		dwg no 10118593	rev C			
www.fci.com		cat. no.	Product - Customer Drw		sheet 2 of 5			

OLD RECOMENDED HOST BOARD LAYOUT



Copyright FCI.

dr	Wei-Long Zhang	2011/06/21	projection	MM	size	A2	scale	4:1
eng	Wei-Long Zhang	2011/12/01			ecn no	ELX-DG-008380-1	rel level	Released
chr	Eleven Hu	2011/12/09						
appr	Pai-Ming Zheng	2011/12/09	product family	CARD EDGE				
		title HPCE-STRADDLE MT (36P-24S) (RECEPTACLE) SPECIAL CASE		dwg no 10118593	rev C			
www.fci.com		cat. no.	Product - Customer Drw		sheet 3 of 5			



RECOMMENDED MATING BOARD FOOTPRINT

Copyright FCI.
FCI

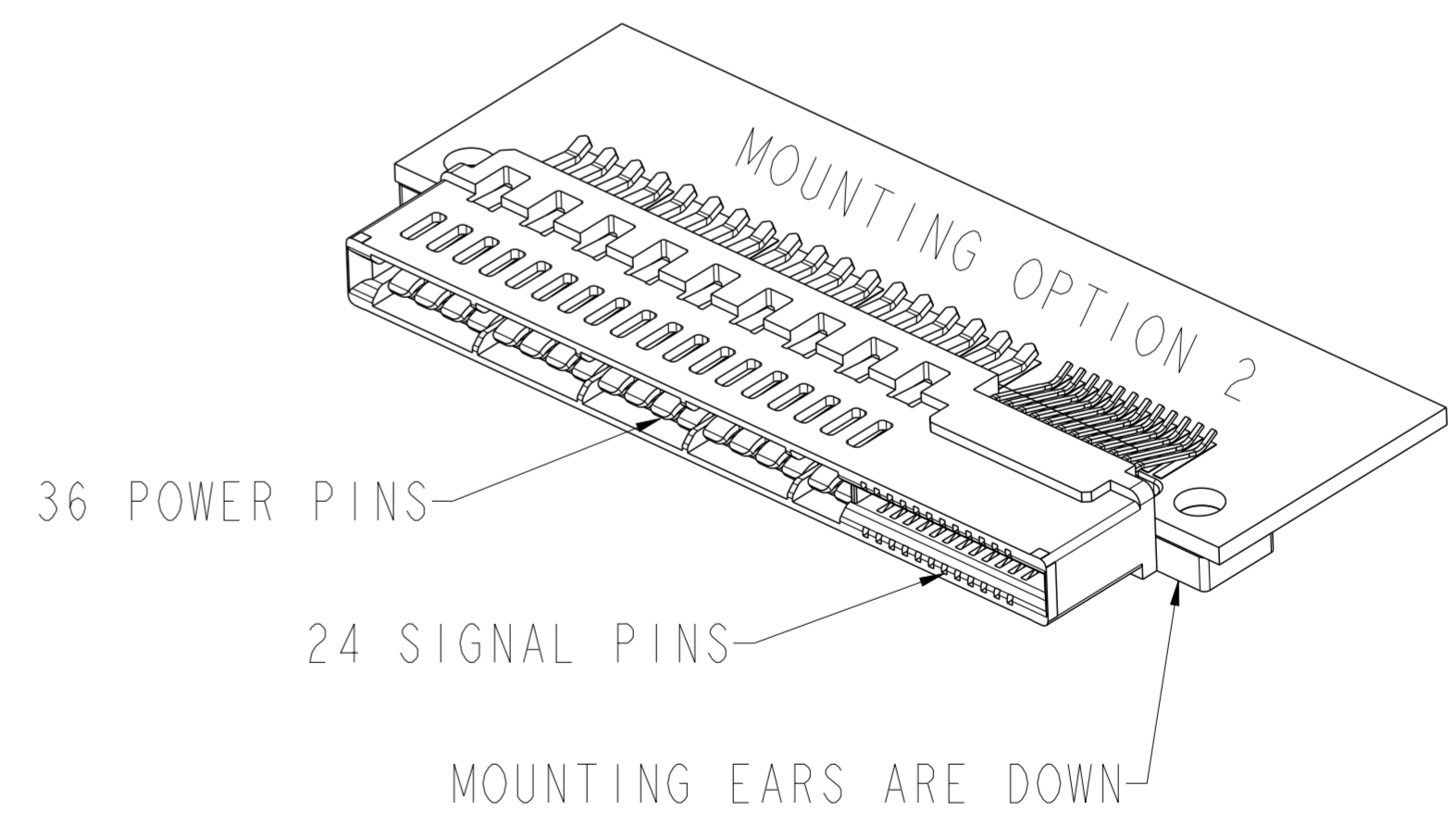
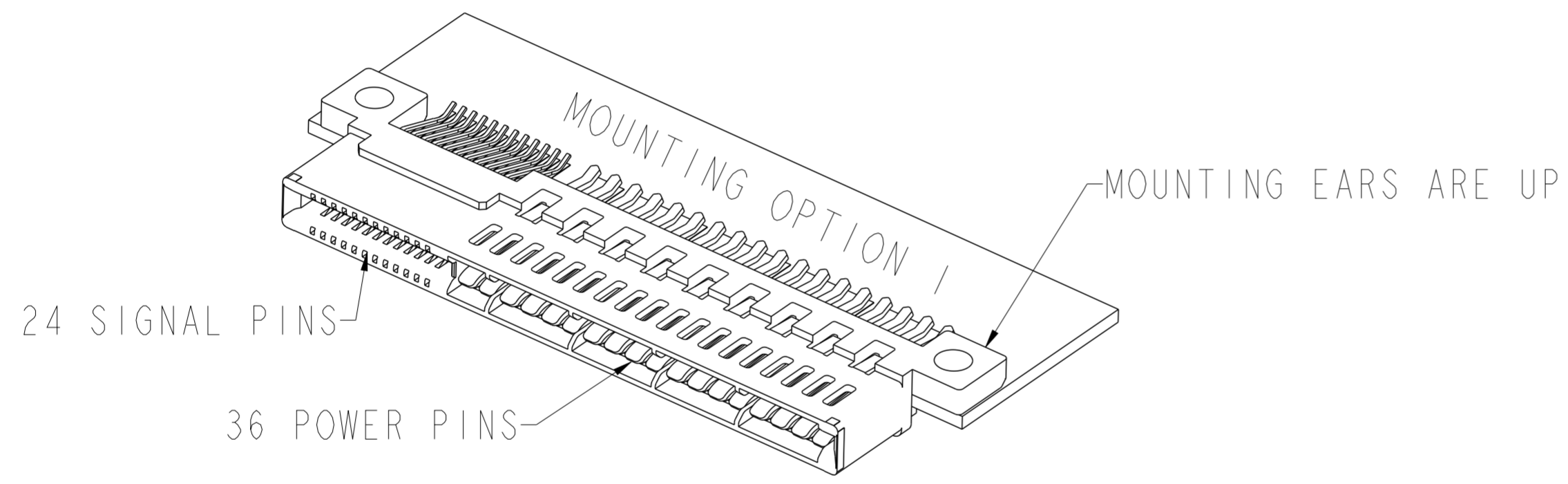
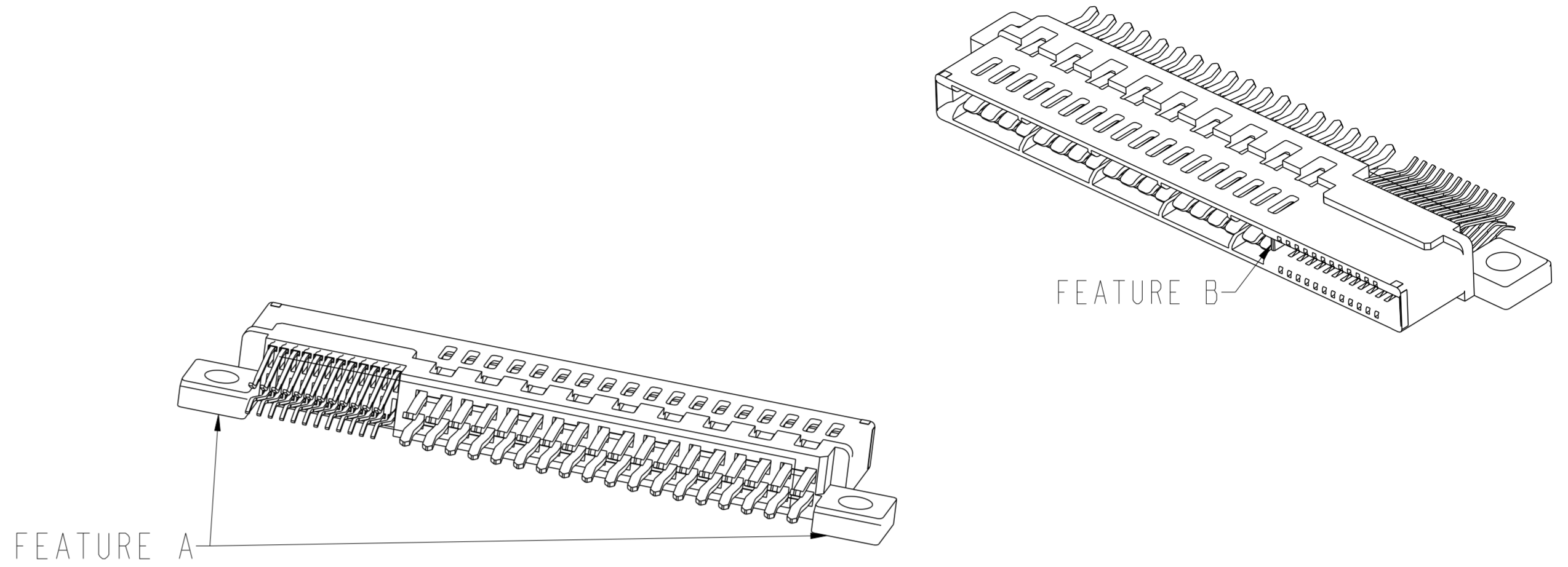
dr	Wei-Long Zhang	2011/06/21	projection	MM	size	A2	scale	4:1
eng	Wei-Long Zhang	2011/12/01		MM	ecn no	ELX-DG-008380-1	rel level	Released
chr	Eleven Hu	2011/12/09						
appr	Pei-Ming Zheng	2011/12/09	product family	CARD EDGE				
		HPCE-STRADDLE MT (36P-24S) (RECEPTACLE) SPECIAL CASE		dwg no 10118593	rev C			
www.fci.com		cat. no.		Product - Customer Drw		sheet 4 of 5		

PDS: Rev :C

STATUS:Released

Printed: Dec 09, 2011

PART NUMBER	FEATURE A MOUNTING EARS	FEATURE B FRONT POLARIZATION KEY
10118593-001LF	YES	YES
10118593-002LF		NO



NOTES:

- CONNECTOR MATERIALS:
 HOUSING: HIGH TEMPERATURE THERMAL PLASTIC, BLACK
 UL 94V-0 COMPLIANT
 CONTACTS: HIGH PERFORMANCE COPPER ALLOY.
- CONTACT FINISH REF. GS-12-604 SECTION 5.2.
- PRODUCT SPECIFICATION: GS-12-604.
- APPLICATION SPECIFICATION: GS-20-128.
- PRODUCT MARKING (FCI - PART NUMBER & DATE CODE) ON HOUSING IN AREA SHOWN.
- PACKAGING MEETS FCI SPECIFICATION GS-14-937.
- HOUSING COMPONENT WILL WITHSTAND EXPOSURE TO 260°C PEAK TEMPERATURE FOR 60 SECONDS IN A CONVECTION, INFRA-RED, OR VAPOR PHASE REFLOW OVEN.
- THE OLD RECOMENDED BOARD IS ASSOCIATED WITH -001 & -002 PARTS. THE NEW HOST BOARD CAN BE USED WITH ALL DASH NUMBERS AND IS FOR IMPROVED SOLDER REFLOW PROCESS.
- A Δ SYMBOL WILL BE NEXT TO ANY DIMENSION, VIEW, OR NOTE WHICH HAS BEEN MODIFIED WITH THE CURRENT DRAWING REVISION.

dr	Wei-Long Zhang	2011/06/21	projection	MM	size	A2	scale	4:1
eng	Wei-Long Zhang	2011/12/01			ecn no	ELX-DG-008380-1	rel level	Released
chr	Eleven Hu	2011/12/09						
appr	Pei-Ming Zheng	2011/12/09	product family	CARD EDGE				
		title HPCE-STRADDLE MT (36P-24S) (RECEPTACLE) SPECIAL CASE		dwg no 10118593				rev C
www.fci.com		cat. no.	-		Product - Customer Drw		sheet 5 of 5	

Copyright FCI. FCI