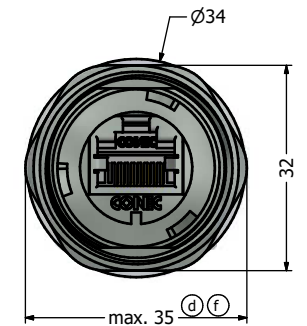
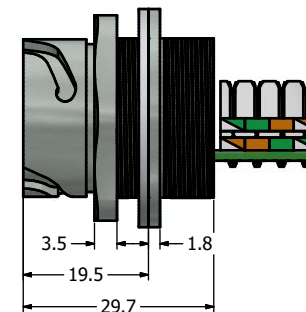
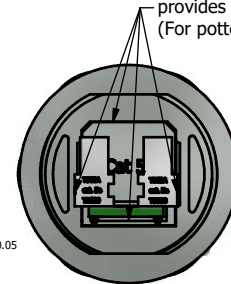


Sealed with Sealing Compound,
provides IP67 even when uncovered
(For potted version only)



Notes:

1. Electrical Specifications:

- Meets EIA/TIA-568-B.2 Cat.5e Specification
- Contact Resistance: 20mOhm max.
- Insulation Resistance: 500MOhm min. @ 100 VDC
- Current Rating: 1.2A max. at 25° C
- Working Voltage: 100 VDC
- DWV: 1000 VDC/60s Contact to Contact, 1500 VDC/60s Contact to Metal Shell
- Operating Temperature: -40° C to +85° C

2. Material and Finish:

- Receptacle Housing & Protective Cover: Zinc Die-cast, Nickel Plated
- Ball Chain Assembly: Copper Alloy and Stainless Steel, Nickel Plated
- Panel Nut: Brass, Finish: Nickel Plated
- Panel Gasket: Silicon, Color: White
- Cover gasket: Silicon, Color: White
- RJ45 IDC Jack Metal Shell: Copper Alloy, Nickel Plated
- RJ45 IDC Jack Plastic Housing: Glass filled PBT UL94 V-0, Color: Black
- RJ45 IDC Jack Contacts: Phosphor Bronze, Finish: 50u" Gold min. over Nickel

3. Connector can be front or rear mounted to a maximum panel thickness of 3.2mm.

4. IP67 rated when fully mated with the appropriate connector

5. Recommended Mounting Panel Nut Torque is 20 to 25 lb-inch

(b) (d)	Description	Part Number
	Nickel Plated Zinc Die-Cast with Shielded Cat5e IDC Jack & Protective Cover	17-101834
	Potted Nickel Plated Zinc Die-Cast with Shielded Cat5e IDC Jack & Protective Cover	17-102194

THIS DRAWING MAY NOT BE COPIED OR REPRODUCED WITHOUT THE WRITTEN PERMISSION OF CONEC CORPORATION OWNERSHIP AND COPYRIGHT OF CONEC CORPORATION DOT NOT ALTER CAD DRAWING BY HAND	Customer:			Tolerance Unless otherwise specified			Scale: NTS	Dim. in mm
	Name	Title	Approval Date	0 PLC ± 0.50	1 PLC ± 0.38		Material: See Notes Title: Receptacle Assembly Kit & Cover with Cat. 5e RJ45 IDC Jack Nickel Plated Zinc Die-Cast version	
	1 x f	A21-0426	26.10.2021	Bub	2 PLC ± 0.25	2010 Date		Name
	e	1 x e	Feb/10/2014	Vincent Ke	3 PLC ± 0.10	Appd.		May 20
	d	4 X d	Mar/02/2011	Vincent ke	ANGLES ± 3°	Norm		
c	1 x c	Jan/28/2011	Vincent Ke		D-old			
b	2 x b	Jan/25/2011	Vincent ke					
a	original							
Rev	Changes	Date	Name			Drawing No.: 17K1A150		DIN A3
						Part No.: SEE PART NUMBER ABOVE		Sheet 1/1

RoHS compliant