

ROTACOD

Absolute encoders with CANopen output

Series

Ax58 CB • Ax58S CB • Ax58 CB

- Standard CANopen encoder
- Single & multi turn versions
- Connection via M12 or PG outlet
- Roundloop function & velocity output
- Resistant against magnetic fields

CANopen



Ax58 CB • Ax58S CB

ENVIRONMENTAL SPECIFICATIONS

Shock:	100 g, 6 ms
Vibrations:	10 g, 5-2000 Hz
Protection:	IP65 (with assembled connection cap)
Operating temperature range:	-25°C +85°C (-13°F +185°F)
Storage temperature range:	-25°C +85°C (-13°F +185°F) (98% R.H.without condensation)

MECHANICAL SPECIFICATIONS

Dimensions:	see drawing
Shaft diameter:	Ø 6, 8, 9.52, 10, 12 mm
Hollow shaft diameter:	Ø 14, 15 mm
Reducing sleeves BR1-xx from Ø 15 mm to:	Ø 6, 8, 9.52, 10, 11, 12 mm
Shaft loading (axial, radial):	40 N max.
Shaft rotational speed:	6000 rpm max.
Bearings life:	400 x 10 ⁶ rev. min. (10 ⁹ rev. min. with shaft loading of 20 N max.)
Electrical connections:	PG outlet or M12 plugs
Weight:	~ 350 g (12,3 oz)

ELECTRICAL SPECIFICATIONS

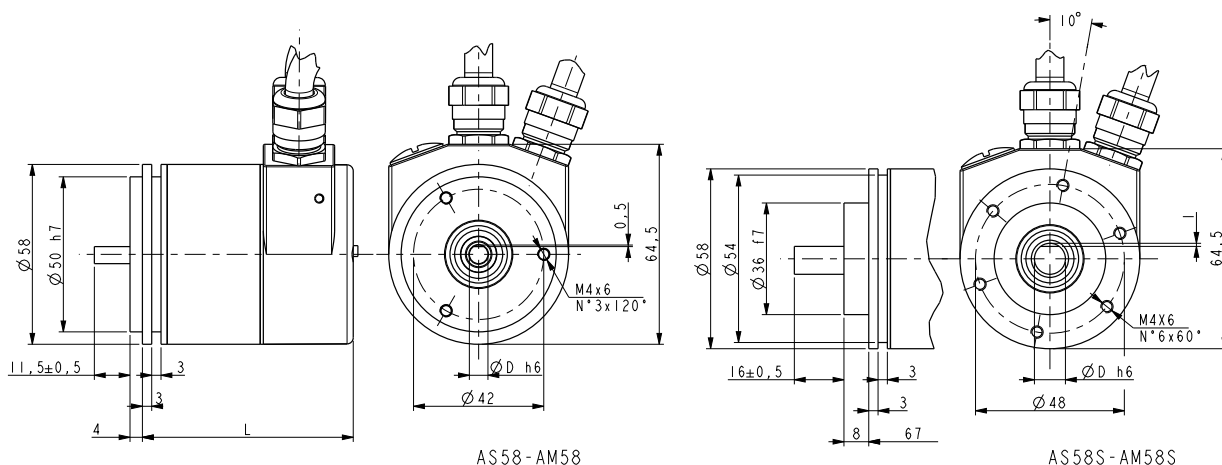
Resolution:	8192 cpr x 4096 turns max.
Accuracy:	± 0,04°
Counting frequency:	100 kHz max.
Power supply:	+10V +30V
Power consumption:	2,6 W max.
Interface:	CANopen DS301, DS406, Class 2 (RS485)
Programmable parameters:	<ul style="list-style-type: none"> • counting direction • scaling factor • preset value • two software limit switches
Baudrate:	programmable by Dip-switches
Device address:	programmable by Dip-switches
Bus connection:	galvanically separated by opto-couplers
Protection:	against inversion of polarity and short-circuit
EMC:	electro-magnetic immunity, according to: EN 61000-4-2 EN 61000-4-4
Optoelectronic life:	100.000 h min.

MATERIALS

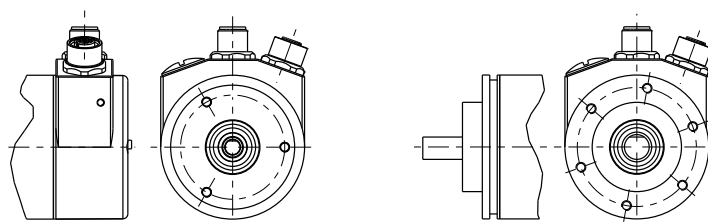
Flange:	anticorrosive, UNI EN AW-6082
Housing:	anticorrosive, UNI EN AW-6082
Bearings:	ABEC 5
Shaft:	stainless steel, non magnetic, UNI EN 4305
Light source:	GaAl diodes

ACCESSORIES

CC-CB:	connection cap with PG outlet
CC-CB-C:	connection cap with M12 plugs
EC-M12MC-LK-CB-xx:	M12 plug cordset with xx m cable
EC-M12FC-LK-CB-xx:	M12 conn. cordset with xx m cable
PAN/PGF:	flexible couplings
BR1:	reducing sleeves
LKM-386:	fixing clamps



SERIES	L	D
AS58	83	6-10h6 8-12g6
AM58	98	
AS58S	82	6-8-10h6 12g6
AM58S	97	
ASCXX	88	14-15H7
AMCXX	98	



ASC58-AMC58

ASC59-AMC59

ASC60-AMC60

Order code - Single turn

AS58	XX	/	CB	-	XX	/Sxxx
AS58S	(a)				(b)	(c)
ASC58						
ASC59						
ASC60						

Order code - Multi turn

AM58	XX/XXXX	CB	-	XX	/Sxxx
AM58S	(a)			(b)	(c)
AMC58					
AMC59					
AMC60					

(a) RESOLUTION

12 = 4096 cpr
13 = 8192 cpr

10 = 10 mm
12 = 12 mm
14 = 14 mm (ASCxx)
15 = 15 mm (ASCxx)

(b) SHAFT DIAMETER

6 = 6 mm
8 = 8 mm
P9 = 9.52 mm, 3/8"

(c) CUSTOM VERSION

(a) RESOLUTION

12/4096 = 4096 cpr x 4096 turns
13/4096 = 8192 cpr x 4096 turns

10 = 10 mm
12 = 12 mm
14 = 14 mm (AMCxx)
15 = 15 mm (AMCxx)

(b) SHAFT DIAMETER

6 = 6 mm
8 = 8 mm
P9 = 9.52 mm, 3/8"

(c) CUSTOM VERSION

CONNECTION CAP
(to be ordered separately)

CC-CB: Connection cap with PG outlet
CC-CB-C: Connection cap with M12 connectors

Cordsets
(standard lengths, other on request)

EC-M12MC-LK-CB-5: M12 plug cordset with 5 m cable
EC-M12FC-LK-CB-5: M12 connector cordset with 5 m cable
EC-M12MC-LK-CB-10: M12 plug cordset with 10 m cable
EC-M12FC-LK-CB-10: M12 connector cordset with 10 m cable