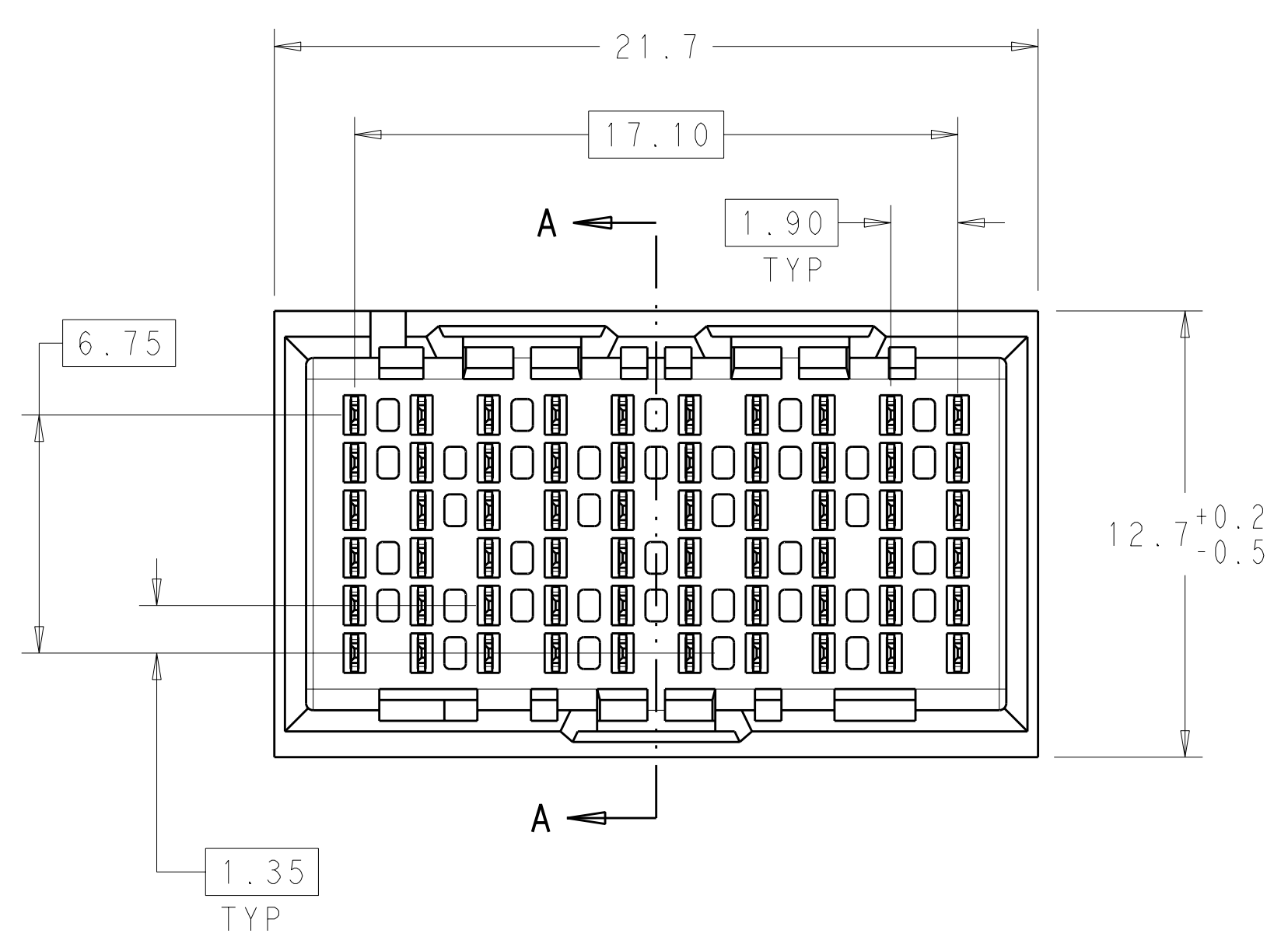
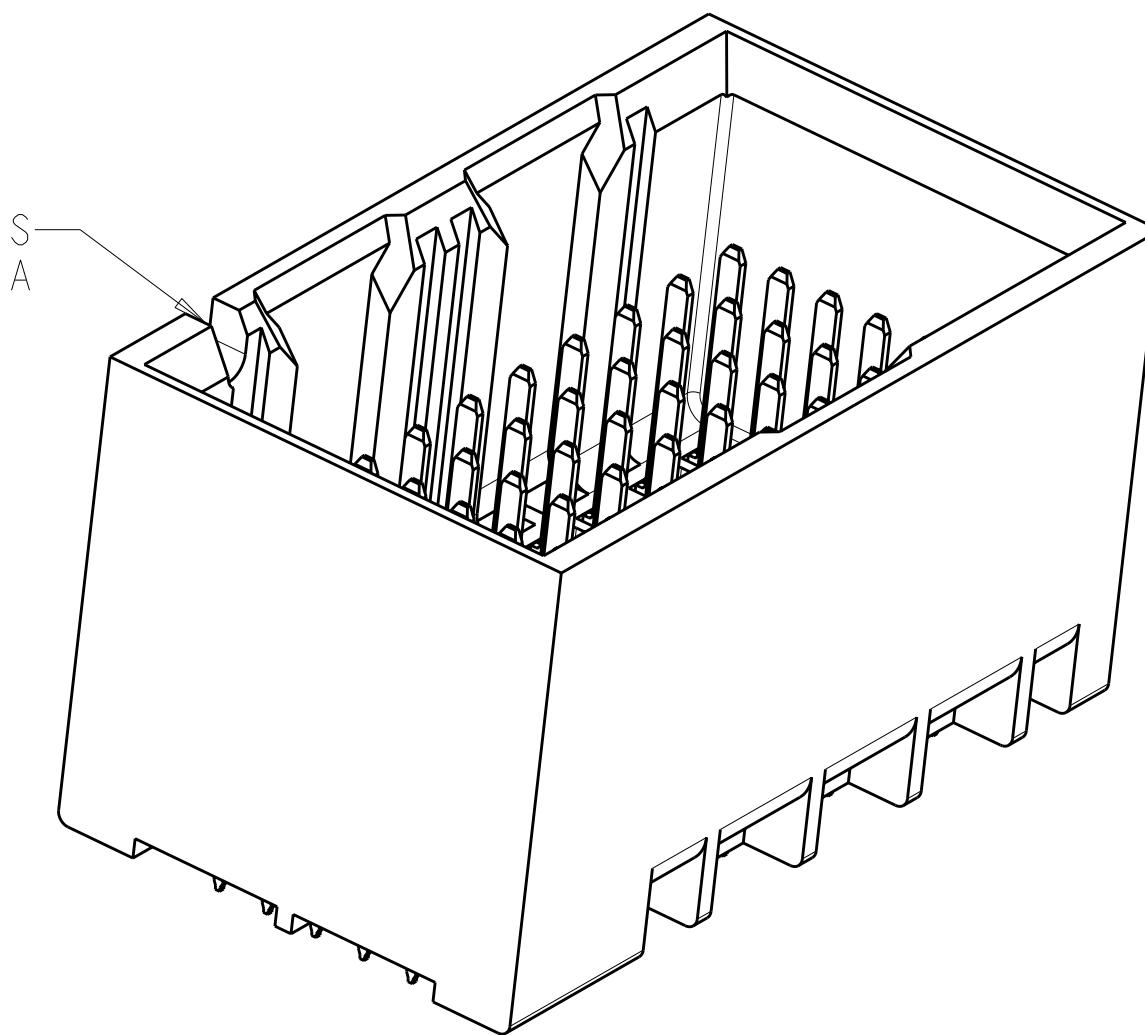


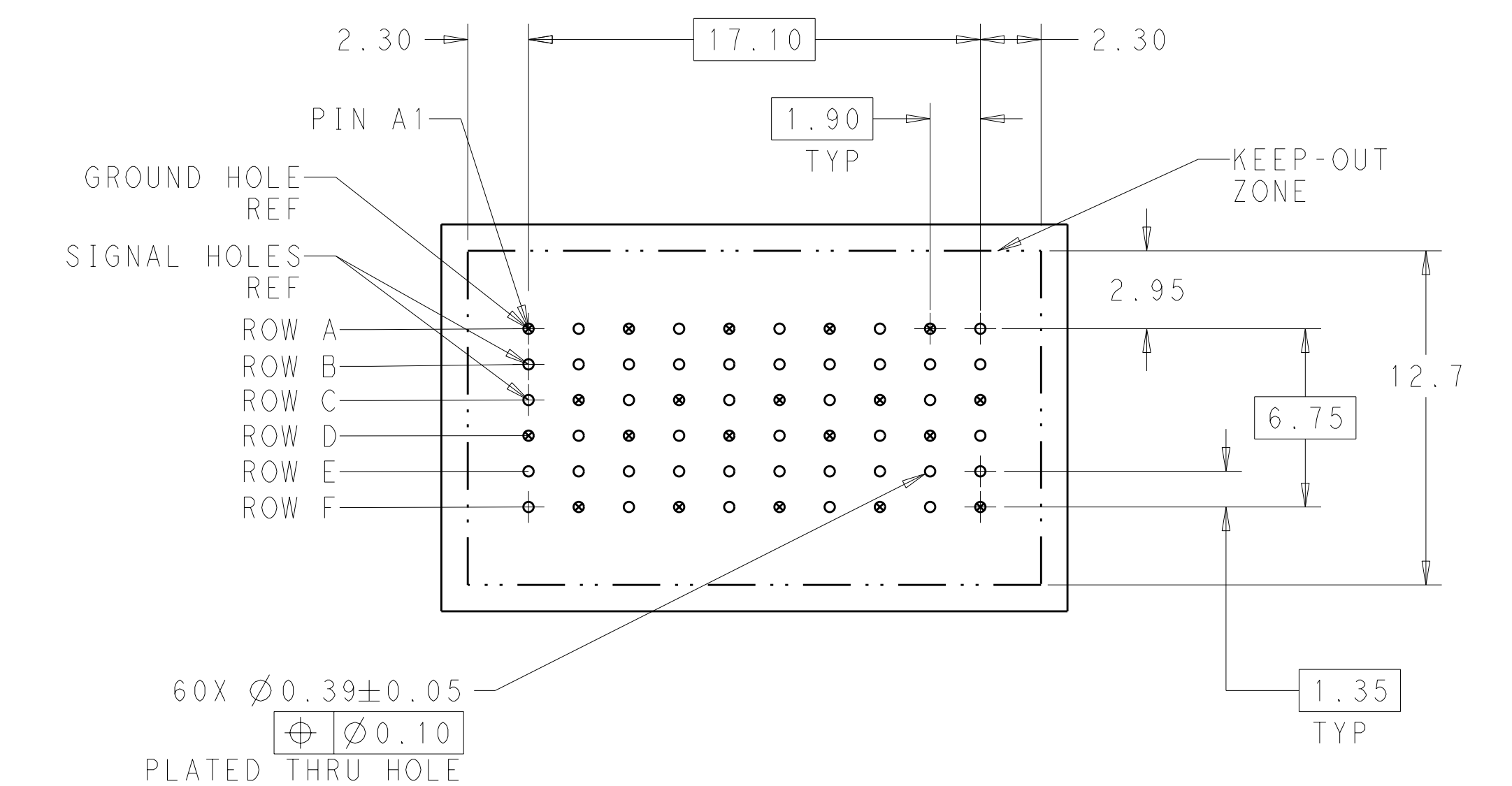
LOC	DIST	REV	DATE	DWN	APVD
AD	00	B	05JAN12	KH	DY
		REVISIONS			
		DESCRIPTION	DATE	DWN	APVD
		REVISED PER ECO-11-025276	05JAN12	KH	DY



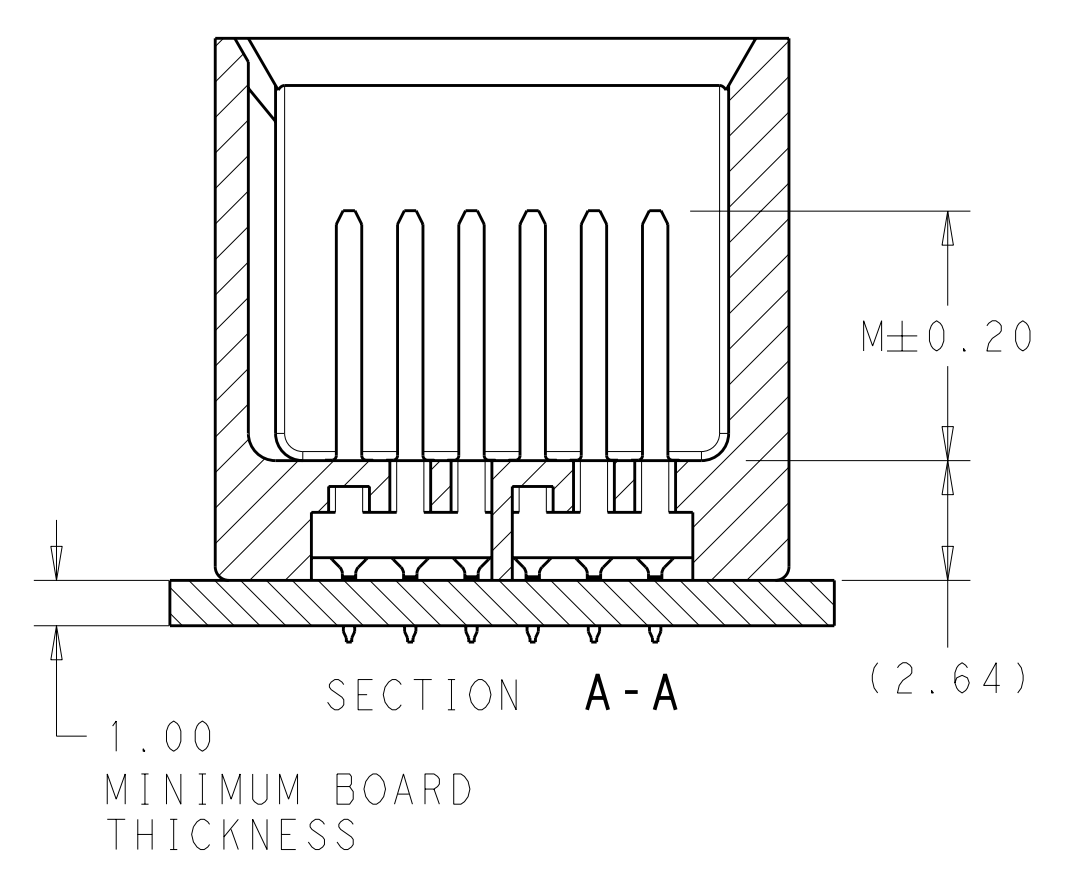
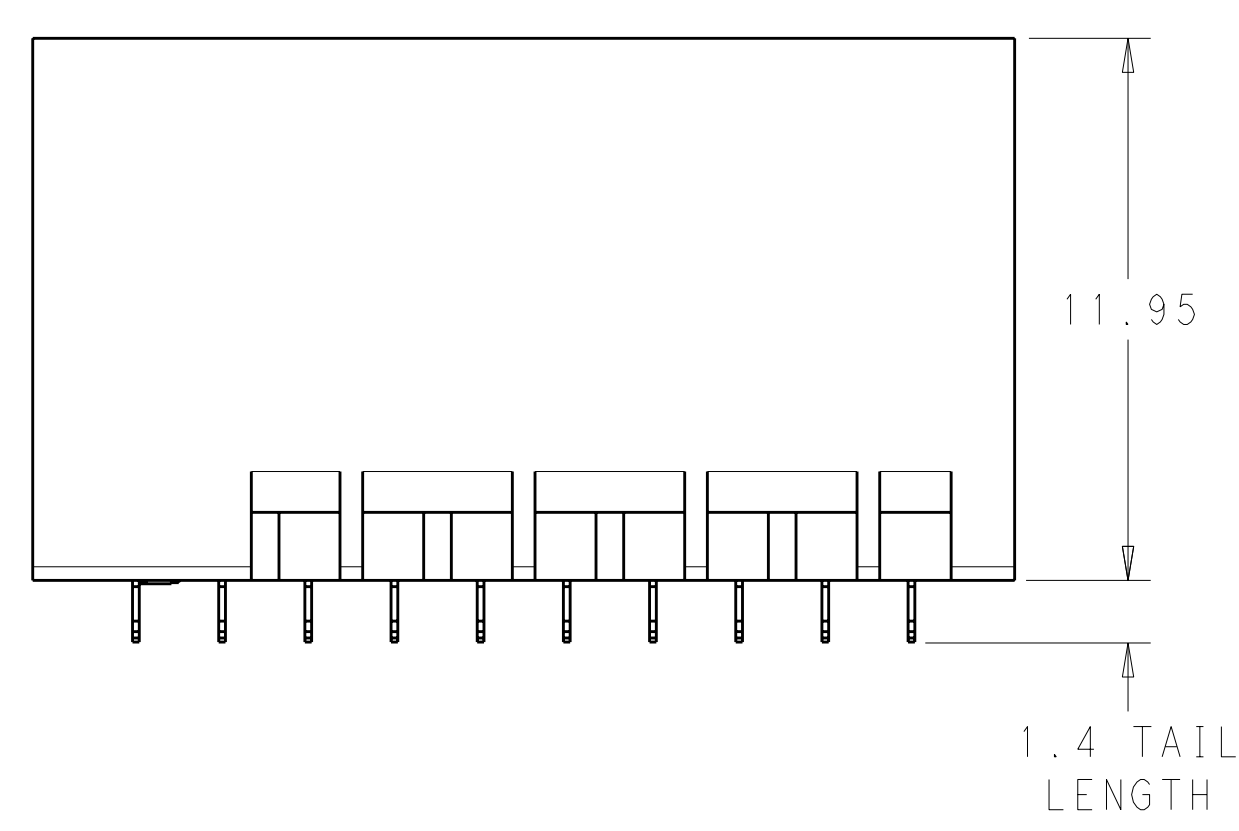
NOTCH DESIGNATES ROW A



- 1 MATERIAL:  
HOUSING: LCP, GLASS FILLED, UL94V-0.  
TERMINALS: HIGH PERFORMANCE COPPER ALLOY.
- 2 FINISH:  
30μ" MIN GOLD IN CONTACT AREA. SELECTIVE TIN  
ON PCB TAILS, NICKEL OVERALL.
- 3 FINISH:  
30μ" MIN GOLD IN CONTACT AREA. SELECTIVE TIN-LEAD  
ON PCB TAILS, NICKEL OVERALL.



UNGUIDED  
BACKPLANE HOLE PATTERN  
(CONNECTOR SIDE)




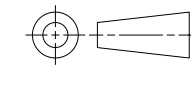
THIS DRAWING IS A CONTROLLED DOCUMENT.		DWN J. K. SHOBER 15DEC2010	TE Connectivity
DIMENSIONS: mm		CHK J. EBY 15DEC2010	
TOLERANCES UNLESS OTHERWISE SPECIFIED: 9 PLC ± 1 PLC ±0.25 3 PLC ±0.13 4 PLC ± ANGLES ± FINISH SEE TABLE		APVD J. EBY 15DEC2010	NAME IMPACT, 2 PAIR, 10 COLUMN, HEADER UNGUIDED, DUAL END WALL SIGNAL MODULE, 0.39 PTH
MATERIAL		PRODUCT SPEC	SIZE CAGE CODE DRAWING NO. RESTRICTED TO
		APPLICATION SPEC	A100779C=2057432
		WEIGHT	CUSTOMER DRAWING
		SCALE 6:1	SHEET 1 OF 2 REV B

THIS DRAWING IS UNPUBLISHED. RELEASED FOR PUBLICATION 20  
 © COPYRIGHT 20 . . . ALL RIGHTS RESERVED.

LOC	DIST	REVISIONS				
AD	00	P	LTB	DATE	DWN	APVD
		-	-	SEE SHEET 1	-	-

FINISH	DIM M	PART NUMBER
$\triangle_3$	5.5	2057432-6
$\triangle_3$	4.9	2057432-5
$\triangle_3$	4.5	2057432-4
$\triangle_2$	5.5	2057432-3
$\triangle_2$	4.9	2057432-2
$\triangle_2$	4.5	2057432-1

REFER TO WWW.TE.COM  
FOR PRODUCT AVAILABILITY

THIS DRAWING IS A CONTROLLED DOCUMENT.		DWN J. K. SHOBER 15DEC2010	 TE Connectivity
DIMENSIONS: mm		CHK J. EARY 15DEC2010	
		APVD J. EARY 15DEC2010	NAME IMPACT, 2 PAIR, 10 COLUMN, HEADER UNGUIDED, DUAL END WALL SIGNAL MODULE, 0.39 PTH
TOLERANCES UNLESS OTHERWISE SPECIFIED: 9 PLC ± 7 PLC ±0.25 5 PLC ±0.13 4 PLC ± ANGLES ± FINISH SEE TABLE		PRODUCT SPEC -	RESTRICTED TO
MATERIAL -		APPLICATION SPEC -	SIZE CAGE CODE DRAWING NO A100779C=2057432
CUSTOMER DRAWING		WEIGHT -	SCALE 5:1 SHEET 2 OF 2 REV B