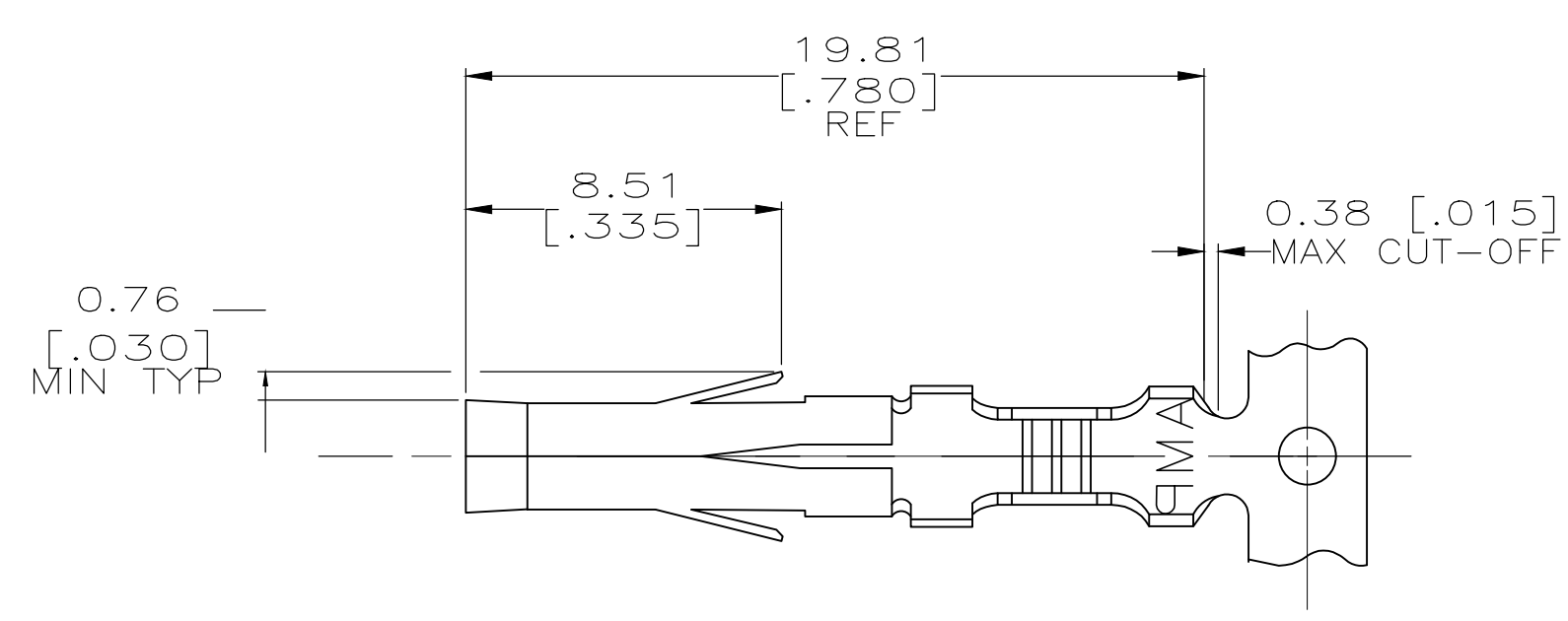
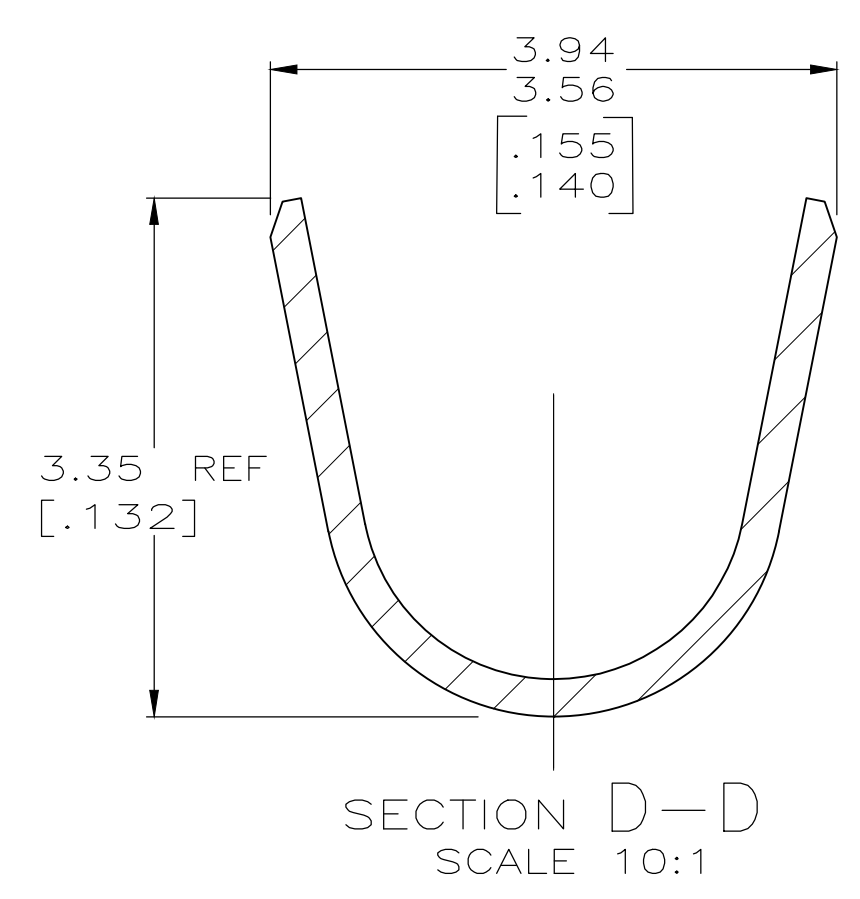
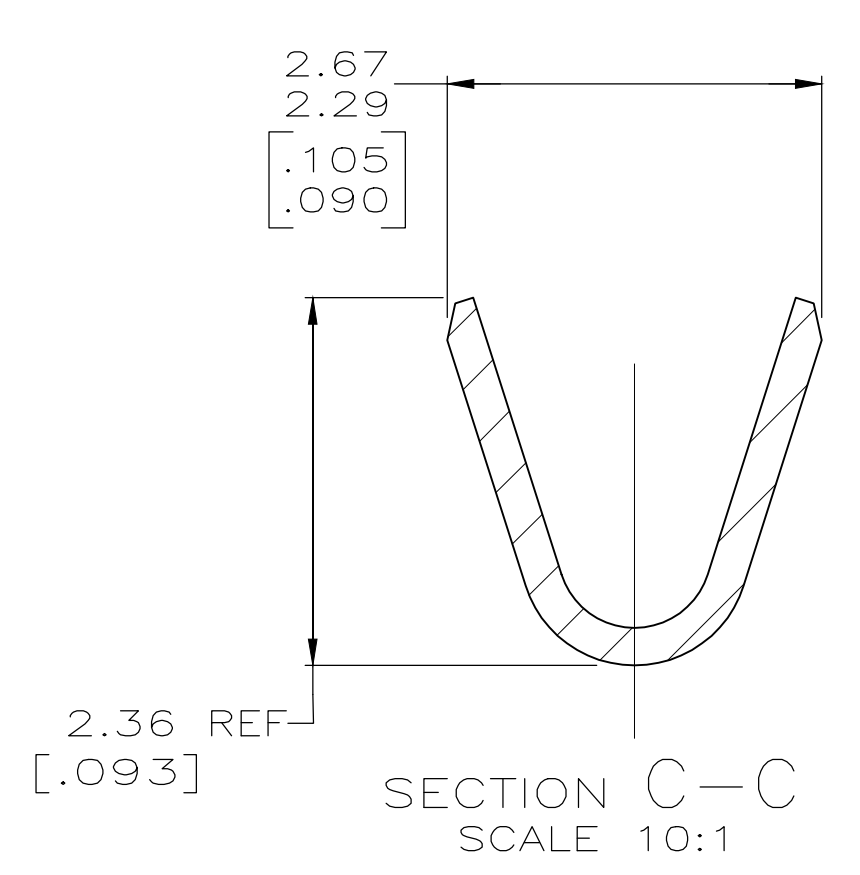
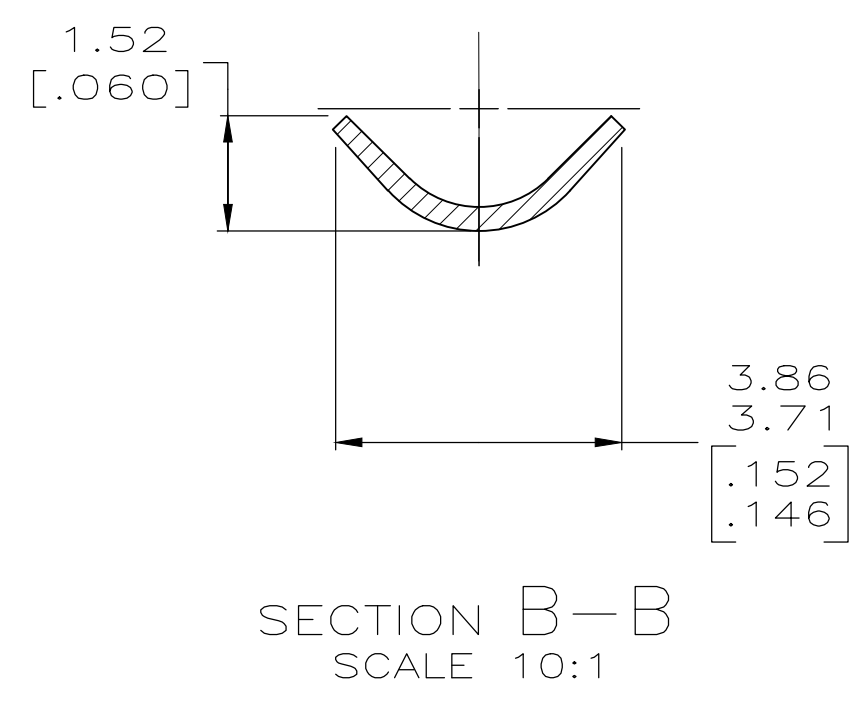
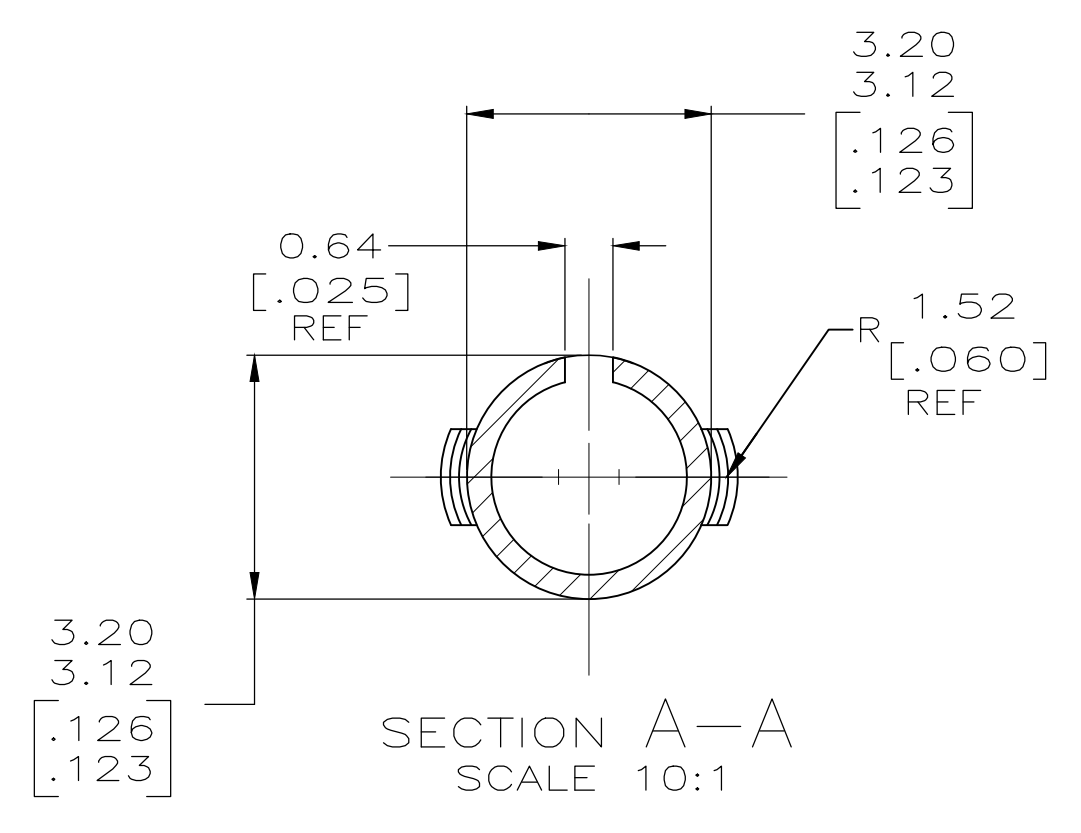
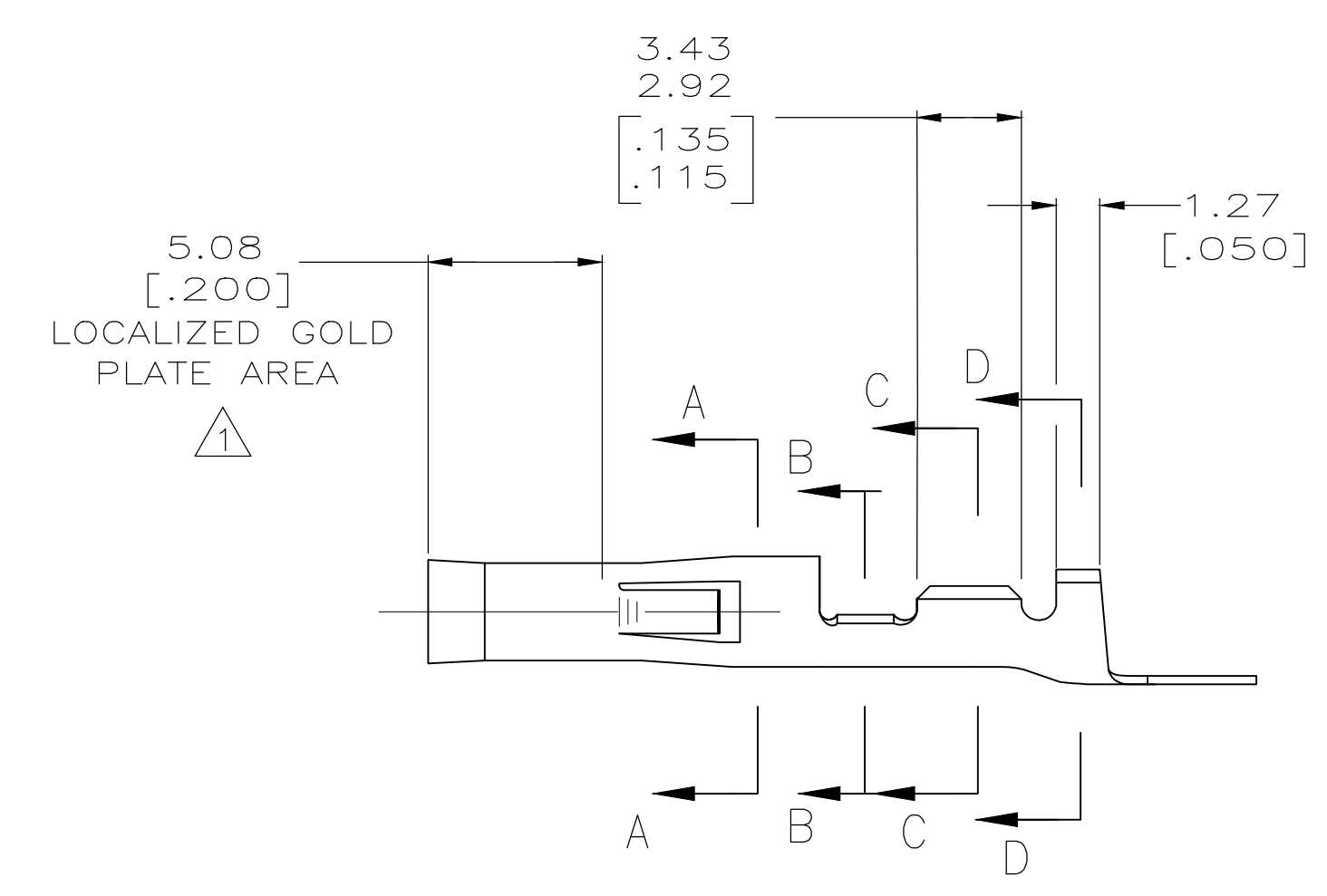
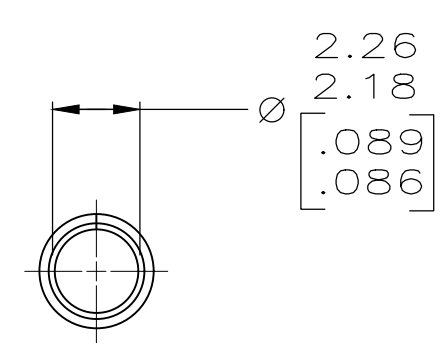


LOC		DIST		REVISIONS			
P	LTR	DESCRIPTION	DATE	DMN	APVD		
AP3	REVISED PER	REVISED PER	ECR-18-015418	13DEC2018	WH	DZ	



- ① 0.000762 [.000030] MIN GOLD IN LOCALIZED GOLD PLATE AREA OVER 0.00127 [.000050] MIN NICKEL.
- 2 WIRE RANGE: 0.3 - 0.84mm² (24-18 AWG).
- 3 INSULATION RANGE: 2.79 [.110] MAX. DIA.
- 4 DIMENSIONS IN BRACKETS ARE IN INCHES.
- ⑤ 0.00127 [.000050] MIN NICKEL



METRIC

⑤	0.25 [.010] PH BRZ	350417-8
GOLD STRIPE	0.25 [.010] BRASS	350417-5
①	0.25 [.010] BRASS	350417-3
PRE-TIN	0.25 [.010] BRASS	350417-1
FINISH	MATERIAL	PART NO

DIMENSIONS:		TOLERANCES UNLESS OTHERWISE SPECIFIED:		DIN		NAME	
mm	[INCHES]	0. PLC	± -	K. WHITAKER	22NOV2005	STE TE Connectivity	
		1. PLC	± -	D. COLEY	22NOV2005	.093 SOCKET	
		2. PLC	± -	D. COLEY	22NOV2005	COMMERCIAL PIN AND SOCKET	
		3. PLC	± 0.13 [.005]			APPLICATION SPEC	
		4. PLC	± -			114-49000	
		ANGLES	± 0°30'			RESTRICTED TO	
MATERIAL	SEE TABLE	FINISH	SEE TABLE	WEIGHT	-	SIZE	CAGE CODE
						A1	00779
						DRAWING NO	
						350417	
						CUSTOMER DRAWING	
						SCALE	N/A
						SHEET	1 of 1
						REV	AP3