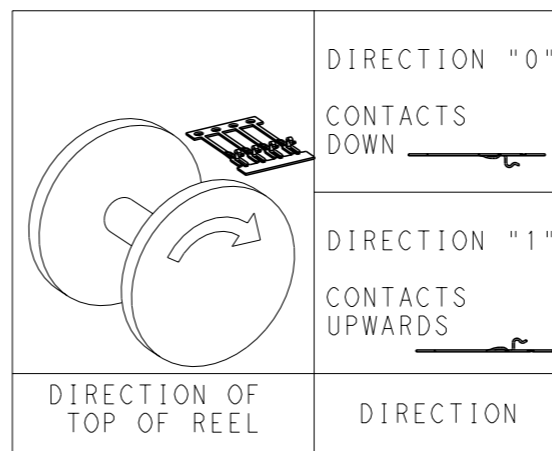
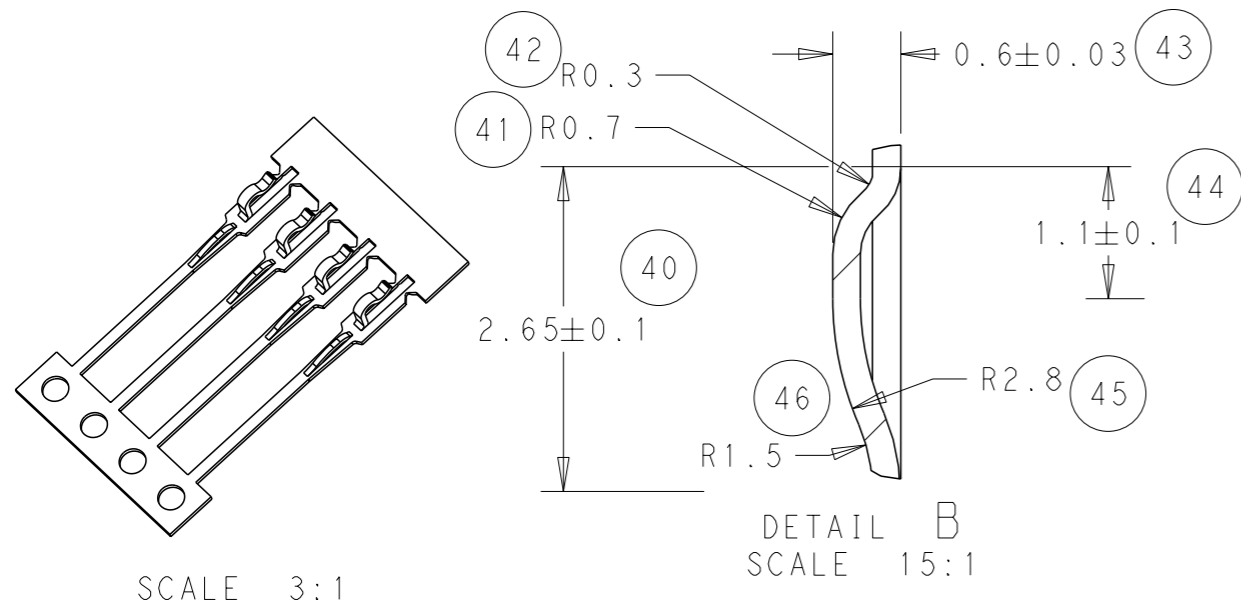
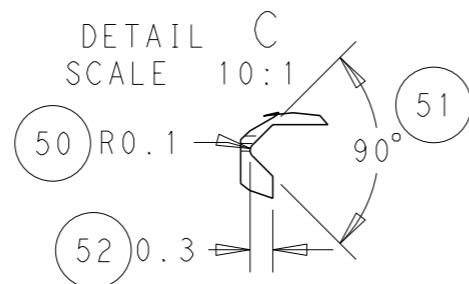
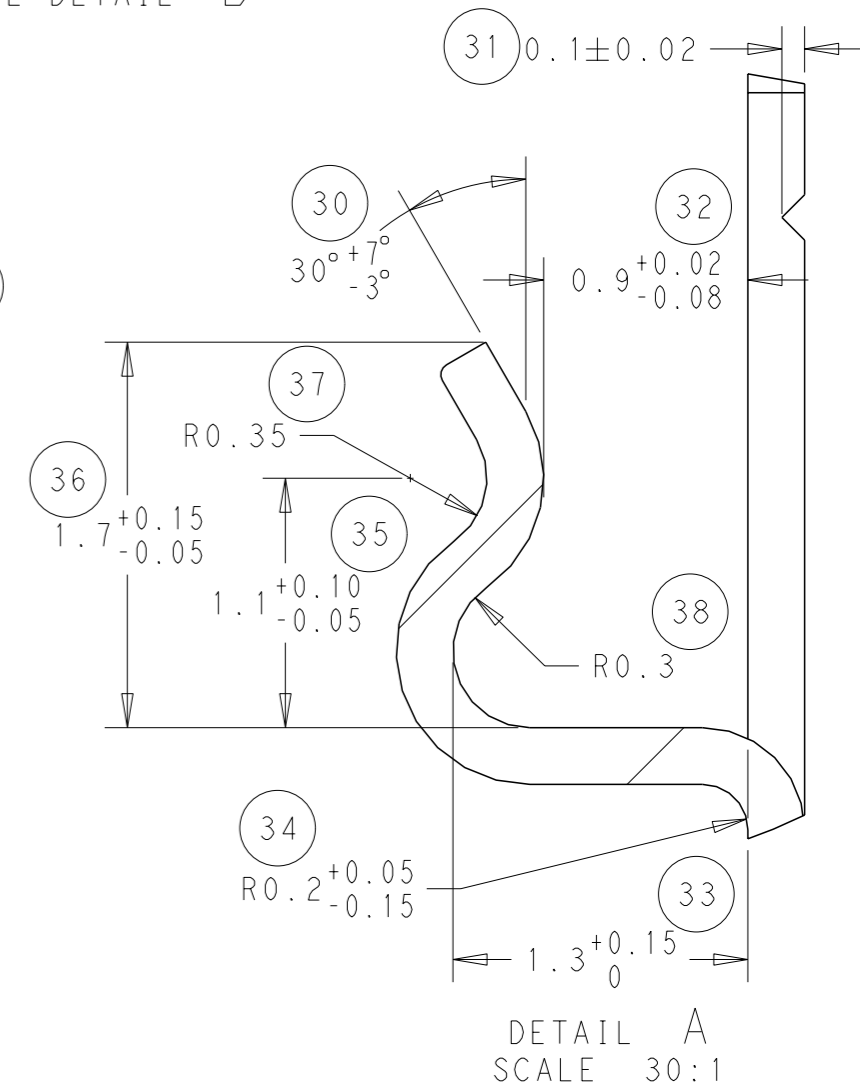
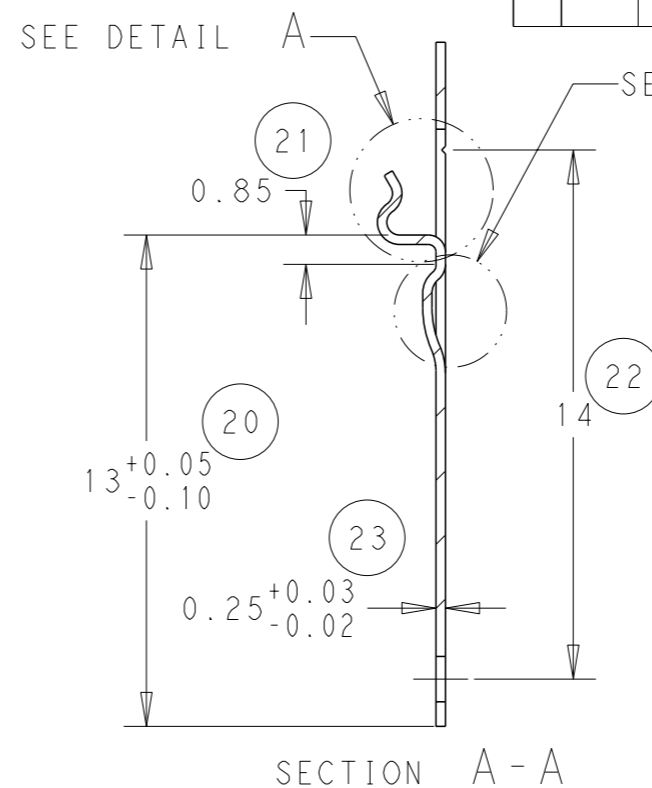
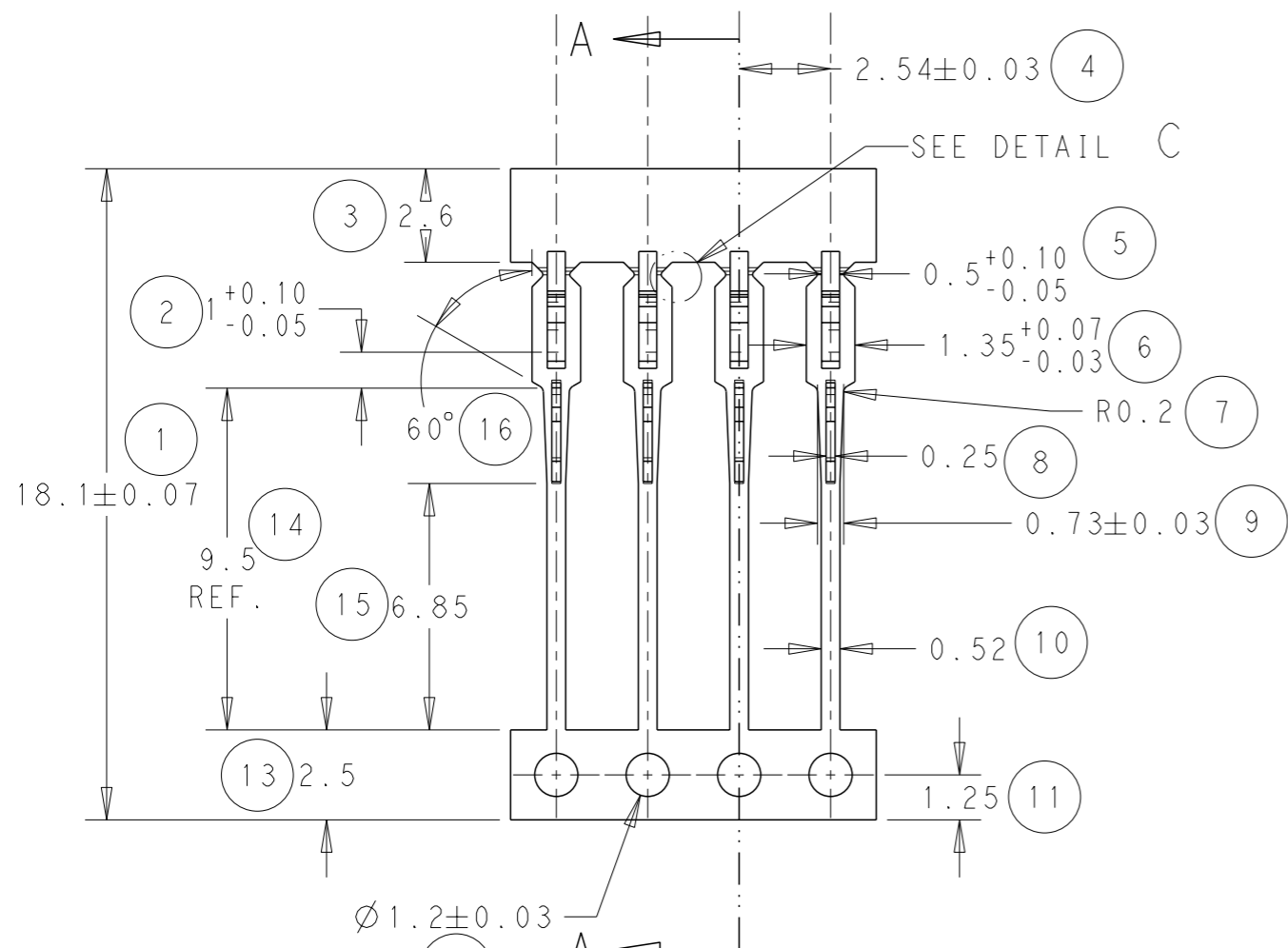


LOC	DIST	REVISIONS				
P	LTR	DESCRIPTION	DATE	DWN	APVD	
B	-	C	ECR-11-015626	04/08/11	JB	MG
		D	ECR-11-018263	05/09/11	JB	MG



NOTE
BOWING: AFTER UPPER TIE BAR REMOVAL-1.5mm MAX.FOR 500mm
PITCH: AFTER UPPER TIE BAR REMOVAL- 2.54±0.127

0	Ni: 112-25-3 (1.27-3 MICRONS) Sn: 112-65-1 (3-5 MICRONS)	1544301-2
REELING	FINISH	PART NUMBER

THIS DRAWING IS A CONTROLLED DOCUMENT.

DIMENSIONS: mm	TOLERANCES UNLESS OTHERWISE SPECIFIED:
0 PLC ±-	1 PLC ±-
2 PLC ±0.05	3 PLC ±-
4 PLC ±-	ANGLES ±0.5
MATERIAL SEE ABOVE.	FINISH -

DWN J.BRIGHT 04/08/11
CHK M.GREENER 04/08/11
APVD D.PENNINGTON 04/08/11
PRODUCT SPEC
APPLICATION SPEC
WEIGHT -
CUSTOMER DRAWING

TE Connectivity		NAME	
SIL CONTACT		RESTRICTED TO	
SIZE A3	CAGE CODE 00779	DRAWING NO C-1544301	SCALE NTS
SHEET 1 OF 1		REV D	