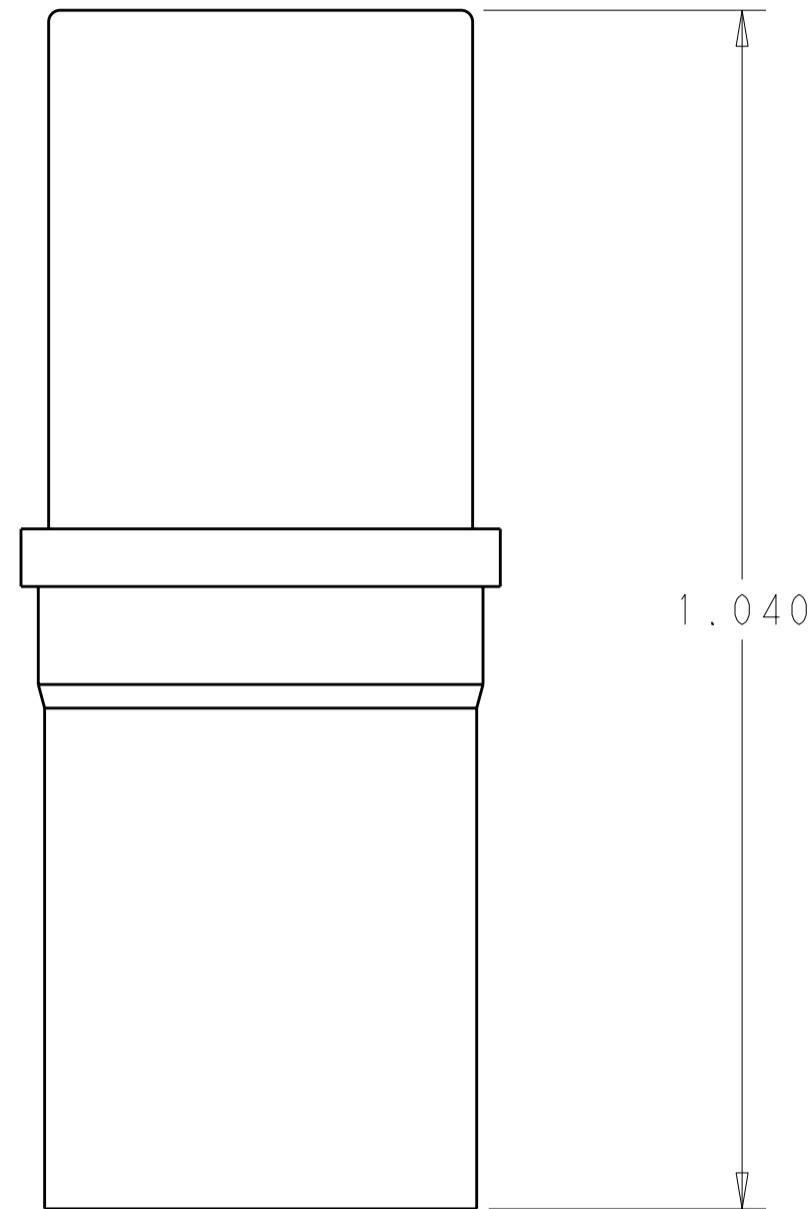


THIS DRAWING IS UNPUBLISHED. RELEASED FOR PUBLICATION 20  
 © COPYRIGHT 20 BY - ALL RIGHTS RESERVED.

REVISIONS					
P	LTR	DESCRIPTION	DATE	DWN	APVD
A		INITIAL RELEASE	02MAR2012	BM	DO



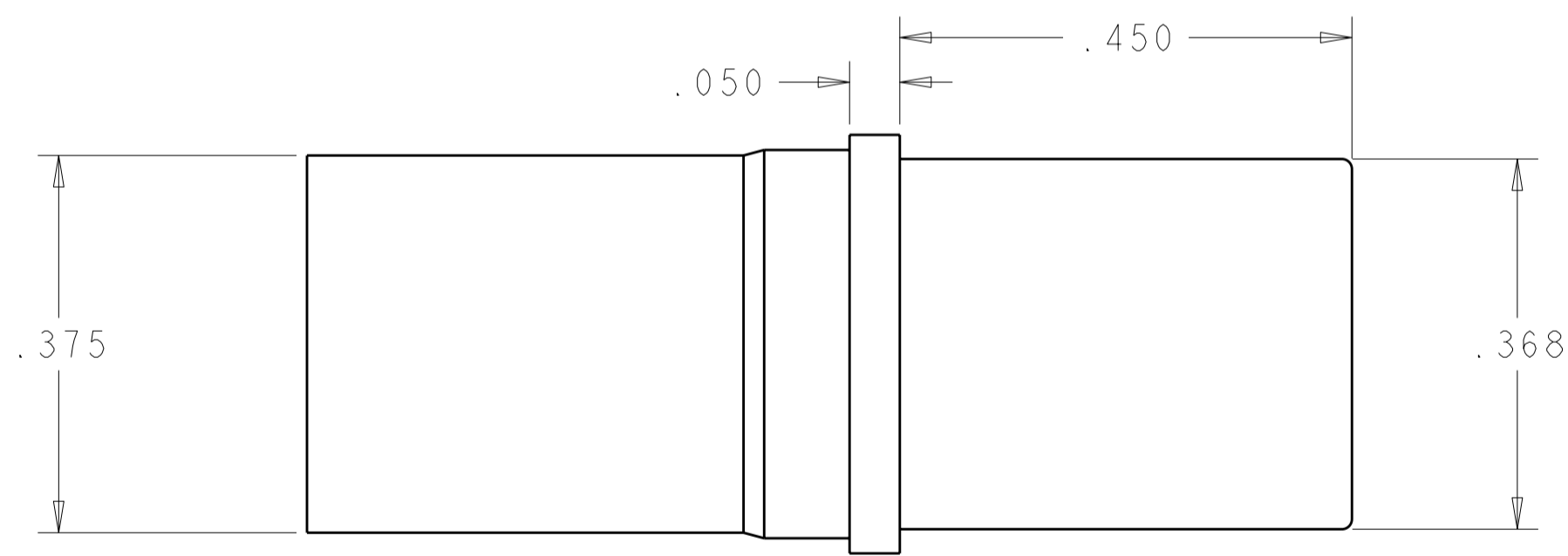
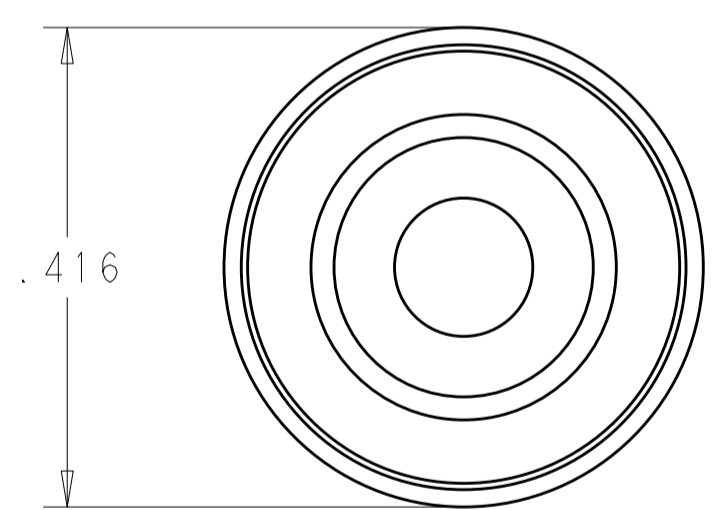
- 1. PART NUMBER CHANGES AND/OR DESIGN CHANGES AFFECTING ITEM INTERCHANGEABILITY REQUIRE PRIOR TYCO ELECTRONICS APPROVAL AND AUTHORIZATION BY REVISION TO THIS DRAWING.
- 2. ITEMS PROVIDED TO THIS SPECIFICATION TO BE PERMANENTLY IDENTIFIED PER THE FOLLOWING IDENTIFIER:

YEAR 1 WEEK 1

TYCO ELECTRONICS P/N      DATE CODE (e.g. 0225)

XXXXXXX-X                      XXXX

- 3. MATERIAL: COPPER ALLOY.
- 4. FINISH: SILVER PLATED, .000100 MIN THICK OVER NICKEL, .000050 MIN THICK.



2085999-1  
PART NUMBER

THIS DRAWING IS A CONTROLLED DOCUMENT.		DWN B. MATTHEWS 02MAR2012	<b>STE</b> TE Connectivity	
DIMENSIONS: INCHES		CHK D. ORRIS 02MAR2012		
TOLERANCES UNLESS OTHERWISE SPECIFIED: 0 PLC ± 1 PLC ± 2 PLC ±.02 3 PLC ±.010 4 PLC ± ANGLES ±.5° FINISH		APVD D. ORRIS 02MAR2012	NAME CONTACT, SOCKET, SIZE 1/4 INCH WITH #6 AWG CRIMP BARREL, SINGLE CROWN	
		PRODUCT SPEC -	-	
MATERIAL		APPLICATION SPEC -	SIZE A200779	DRAWING NO C-2085999
3 4		WEIGHT -	RESTRICTED TO -	
CUSTOMER DRAWING			SCALE 6:1	SHEET 1 OF 1 REV A