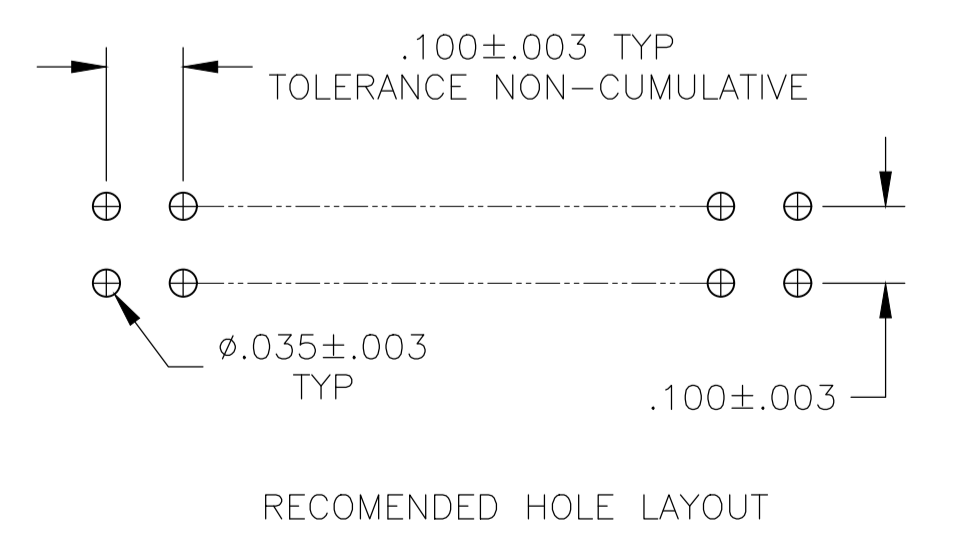
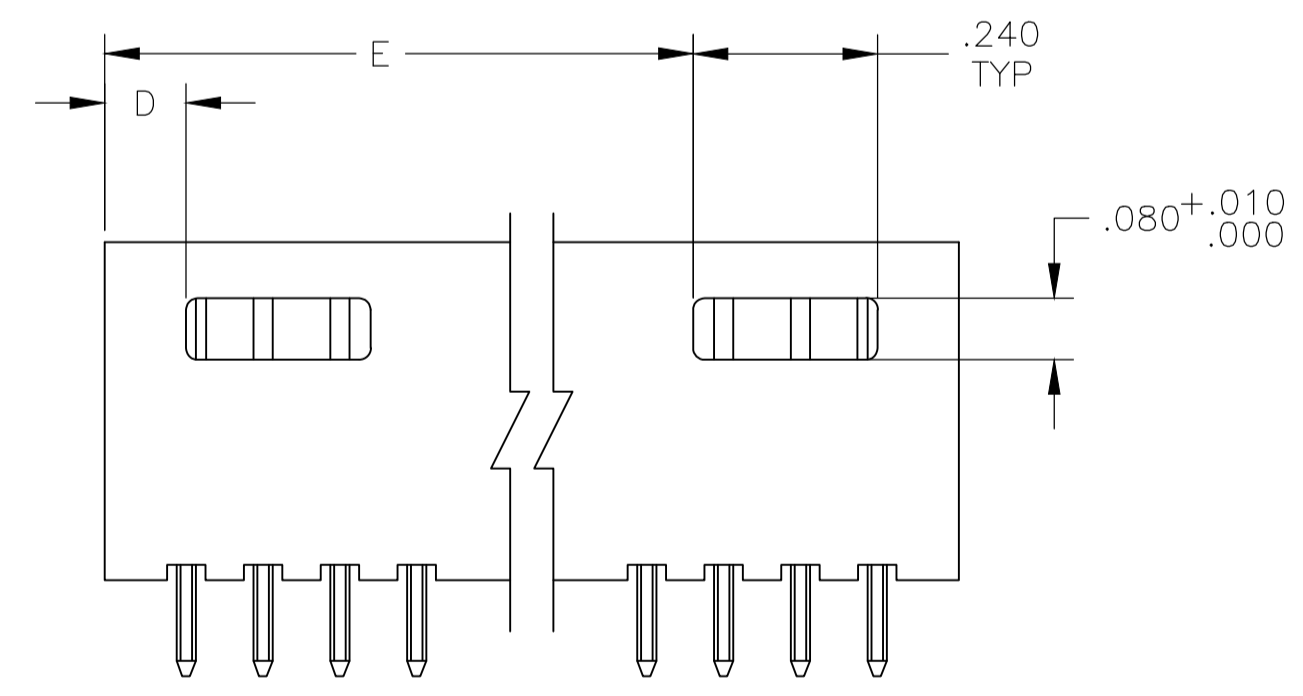
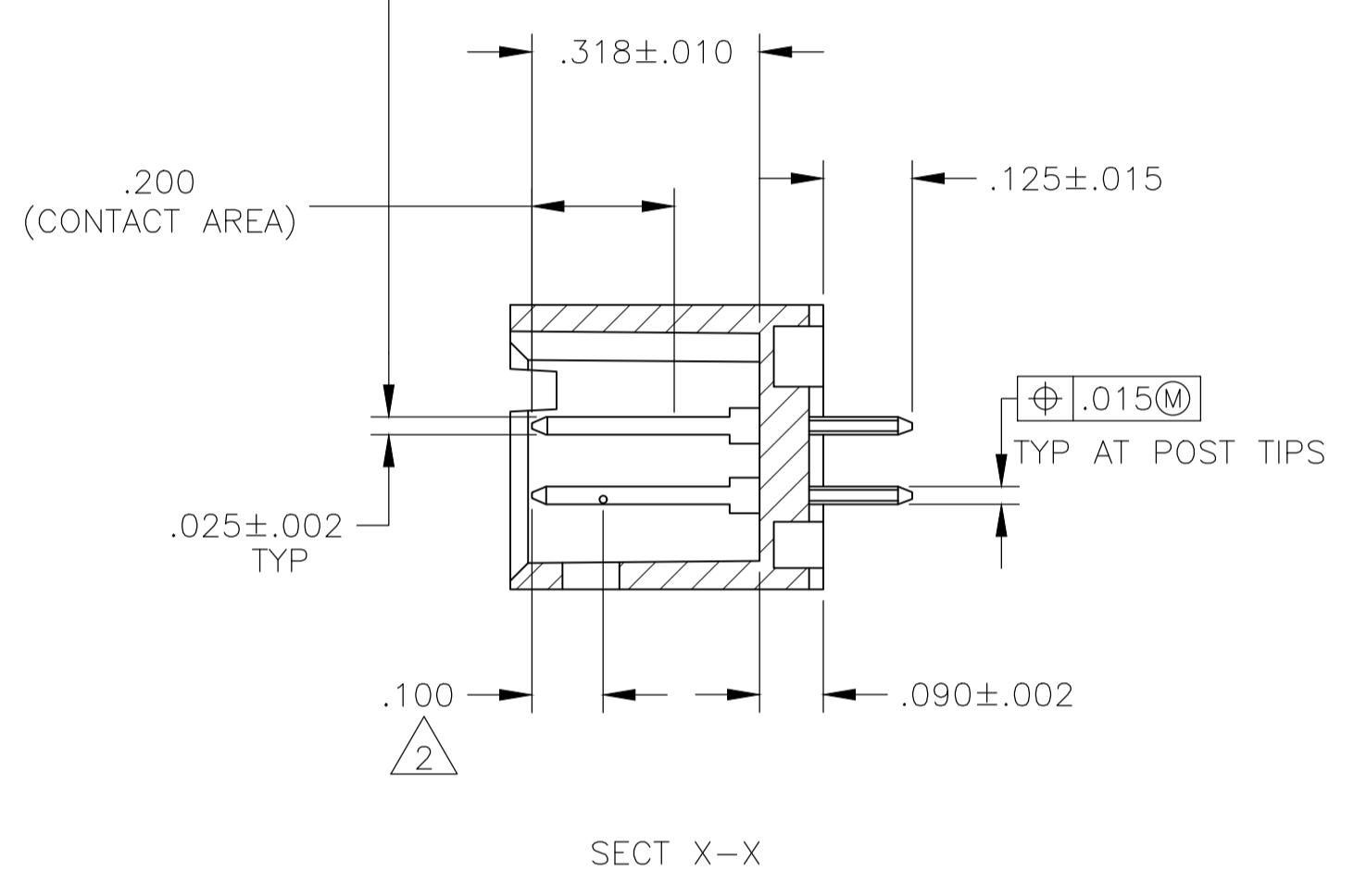
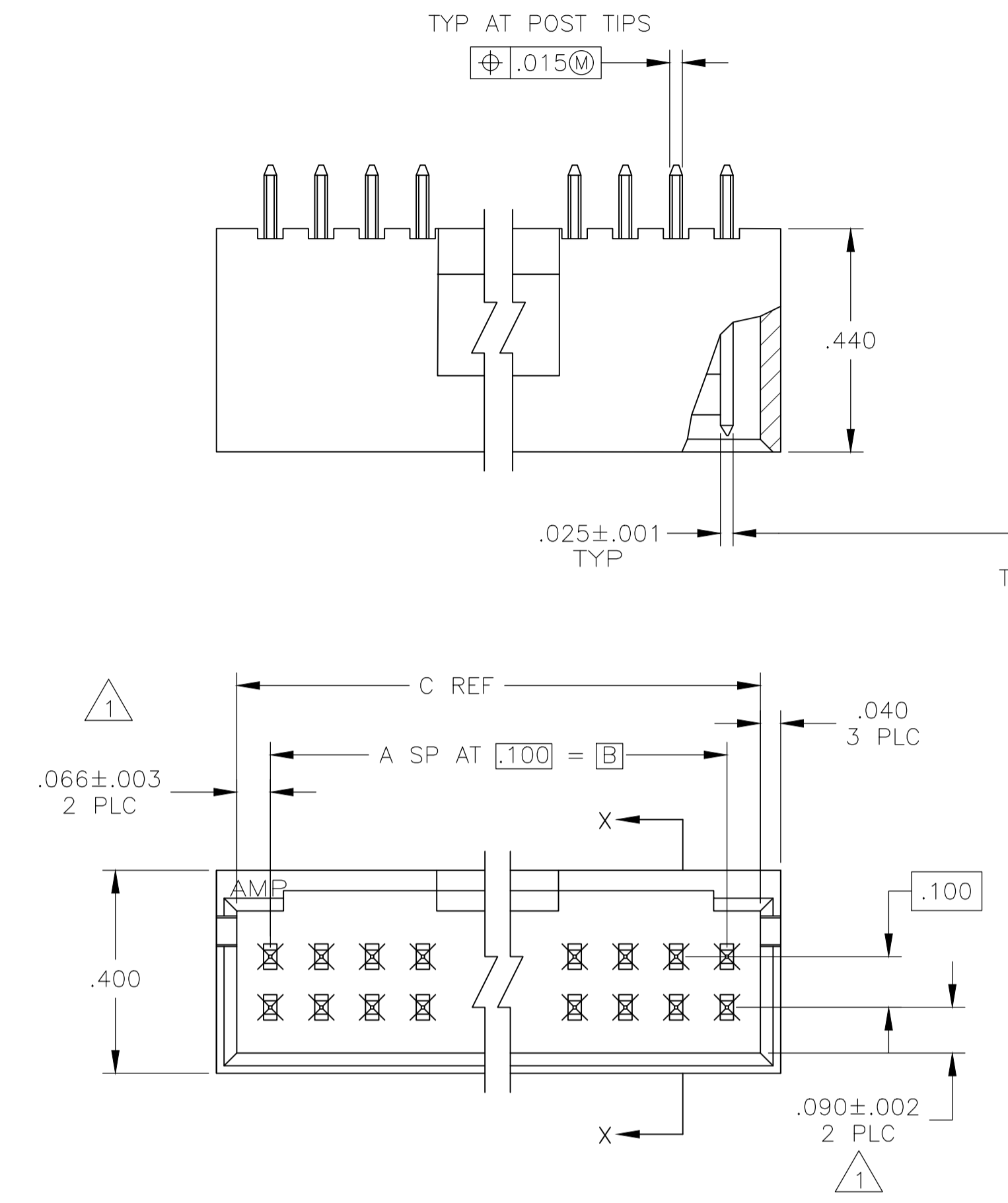


REVISIONS					
P	LTR	DESCRIPTION	DATE	DMN	APVD
L3		PART STATUS UPDATED IN PART LIST TABLE	09FEB2018	SD	PS

- 1 THE NOTED DIMENSIONS APPLY AT THE INTERSECTION OF THE POST AND HOUSING
- 2 POINT OF MEASUREMENT FOR PLATING THICKNESS
- 3 FINISH: POSTS: .000015 GOLD IN CONTACT AREA, .000100-.000200 MATTE TIN-LEAD ON SOLDER TAIL, ALL OVER .000050 NICKEL
- 4 FINISH: POSTS: .000015 GOLD IN CONTACT AREA, .000100-.000200 MATTE TIN ON SOLDER TAIL, ALL OVER .000050 NICKEL
- 5 MATERIALS: HOUSING- FLAME RETARDANT THERMOPLASTIC, COLOR-BLACK
POSTS- PHOS BRONZE
- 6 OBSOLETE PARTS: OBSOLETE CIS STREAMLINING PER D.RENAUD/D.SINISI



REV	DESCRIPTION	DATE	DMN	APVD
8	8-102618-5			
8	8-102618-4			
8	8-102618-3			
8	8-102618-2			
8	8-102618-1			
8	8-102618-0			
7	7-102618-9			
7	7-102618-8			
7	7-102618-7			
7	7-102618-6			
7	7-102618-5			
7	7-102618-4			
7	7-102618-3			
7	7-102618-2			
7	7-102618-1			
7	7-102618-0			
6	6-102618-9			
6	6-102618-8			
6	6-102618-7			
6	6-102618-6			
6	6-102618-5			
6	6-102618-4			
6	6-102618-3			
6	6-102618-2			
6	6-102618-1			
6	6-102618-0			
5	5-102618-9			
5	5-102618-8			
5	5-102618-7			
5	5-102618-6			
5	5-102618-5			
5	5-102618-4			
5	5-102618-3			
5	5-102618-2			
5	5-102618-1			
5	5-102618-0			
3	3-102618-5			
3	3-102618-4			
3	3-102618-3			
3	3-102618-2			
3	3-102618-1			
3	3-102618-0			
2	2-102618-9			
2	2-102618-8			
2	2-102618-7			
2	2-102618-6			
2	2-102618-5			
2	2-102618-4			
2	2-102618-3			
2	2-102618-2			
2	2-102618-1			
2	2-102618-0			
1	1-102618-8			
1	1-102618-7			
1	1-102618-6			
1	1-102618-5			
1	1-102618-4			
1	1-102618-3			
1	1-102618-2			
1	1-102618-1			
1	1-102618-0			
—	—102618-9			
—	102618-8			
—	102618-7			
—	102618-6			
—	102618-5			
—	102618-4			
—	102618-3			
—	102618-2			
—	102618-1			

SUP BY 5-102618-9

THIS DRAWING IS A CONTROLLED DOCUMENT.

DIMENSIONS: INCHES	TOLERANCES UNLESS OTHERWISE SPECIFIED:	DIN H MOLL 4-9-87	LA MAYER 4-9-87
0 PLC ± .005	1 PLC ± .005	APVD R FEJDT 4-9-87	NAME
2 PLC ± .005	3 PLC ± .005	APPLICATION SPEC	ASSEMBLY, HEADER, MOD II, .025 SQ POST, DBL ROW, .100 X .100 C/L WITH DETENTS
4 PLC ± .005	ANGLES ± .005	SIZE	A1
MATERIAL	FINISH SEE TABLE	WEIGHT	00779
		CUSTOMER DRAWING	SCALE 4:1 SHEET 1 OF 1 REV L3

STE TE Connectivity