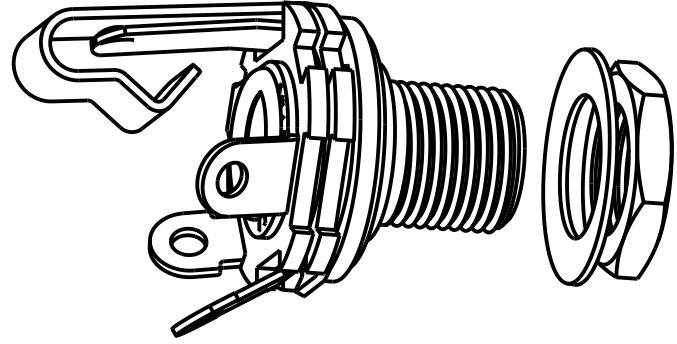


MOUNTING HOLE



CUSTOMER DRAWING

NOTES:

1. HARDWARE SHIPPED UNASSEMBLED. K178 WASHER AND K180 HEX NUT.

2. MATERIALS:
 BUSHING - BRASS, NICKEL PLATED
 INSULATING WASHERS - PHENOLIC
 SLEEVE TERMINAL - BRASS, HOT TIN COATED
 TIP & SHUNT SPRINGS - COPPER ALLOY, SILVER PLATED
 METAL WASHERS - STEEL, NICKEL PLATED
 HEX NUT - BRASS, NICKEL PLATED

3. THIS PRODUCT IS RoHS COMPLIANT.

★ STAR SYMBOL DENOTES CRITICAL DIMENSION

THIS DRAWING DESCRIBES A DESIGN CONSIDERED PROPRIETARY IN NATURE, DEVELOPED AND MANUFACTURED BY SWITCHCRAFT INC. AND IS RELEASED ON A CONFIDENTIAL BASIS FOR IDENTIFICATION PURPOSES ONLY.

UNLESS OTHERWISE SPECIFIED

- 1. ALL DIMENSIONS IN INCHES
- TWO PLACE DECIMALS ±0.01
- THREE PLACE DECIMALS ±0.005
- ANGLES ±1°
- ALL DIA. CONCENTRIC WITHIN 0.005 T.I.R.

2. FEATURES ON THE SAME CENTERLINE MUST BE ALIGNED WITHIN ±0.002

3. REMOVE ALL BURRS

SIZE	WIDTH	MULT	LBS/M	TEMPER
FINISH			MATERIAL	
SPEC No.			SPEC No.	
FIRST USED ON		SCALE		
		2:1		
DATE DRAWN	BY	CHKD	APVD	
5-30-20	TJK	TJK 5-30-20	TJK 5-30-20	
NAME			PART No.	REV
2 CONDUCTOR 1/4" LITTEL JAX, RoHS			L12A	C

Switchcraft®

SHEET 1 OF 1

C	REDRAWN - 26696	1-20-11	TJK	TJK
REV	ECO NUMBER	DATE	BY	APVD
REVISIONS				

DO NOT SCALE DRAWING

