

Type LPR-04B-I

In-Line Indicating Fuse Holder

Reg. Auto Blade Fuses

Waterproof



www.optifuse.com

(619) 593-5050

Ratings:

Fuse Type: Reg. Auto Blade - APR, ANR

Electrical Rating: see Wire Gauge table

Body: PVC

Contacts: Tin plated Brass

IP Rating: IP67

With LED warning light when fuse is opened.

Standard Wire Gauges: #12 ~ #18 AWG

Standard Wire Colors: Red

Standard Body colors: Black

Standard Wire Length: 4 inches

Standard Wire Gauges		
Wire Gauge	Rating	Wire Color
#12	30A 24VDC	Red
#14	20A 24VDC	Red
#16	15A 24VDC	Red
#18	10A 24VDC	Red

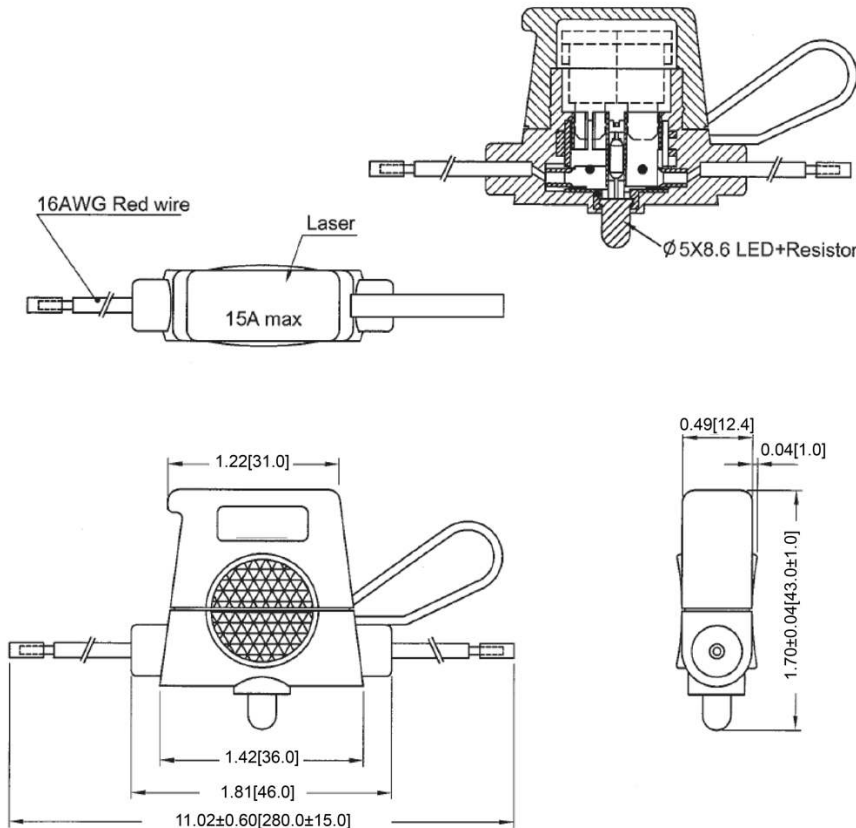
Part number format

LPR-04B-I-##R

where ## = Wire gauge

Available in various wire gauges and lengths, and wire colors.
Contact factory for those not listed above.

Mechanical Dimensions: Inches [mm]



<p>Warning:</p>	<ul style="list-style-type: none"> -Operation beyond the specified maximum ratings or improper use may result in damage and possible electrical arcing and/or flame. -Avoid contact of device with chemical solvent. Prolonged contact may damage the device performance. -Not designed for prolonged liquid exposure or submersible applications.
------------------------	---