

820B R YY - 2 1 3 R 00 1

SERIES
9.50 [0.374]

R = RIGHT ANGLE

OF POSITIONS
(Ex. 02)
SEE CHART A

2 = FEMALE

1 = GOLD FLASH

RoHS COMPLIANT

NICKEL/CHROME PLATED SHELL

VERTICAL (PANEL MOUNT)

CHARACTERISSTICS

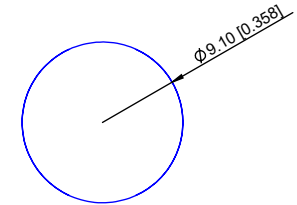
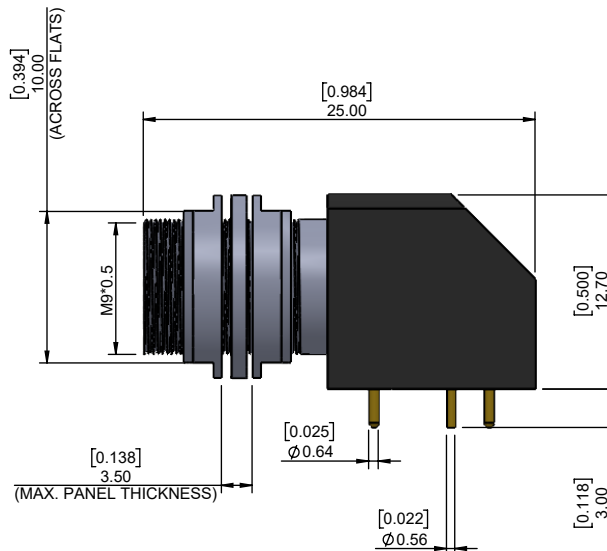
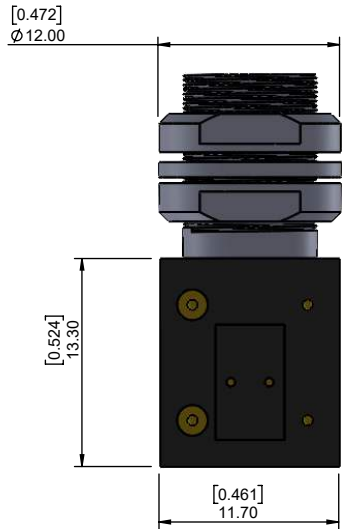
MATERIALS

SHELL : BRASS
SHELL PLATING : NICKEL
NUT : BRASS
NUT PLATING : NICKEL
LATCH SLEEVE : BRASS
LATCH SLEEVE PLATING : NICKEL
CONTACTS : COPPER ALLOY
CONTACT PLATING : 7µ" GOLD PLATED OVER 196µ" NICKEL MIN.
INSULATOR : PPS (HIGH TEMPERATURE)

MECHANICAL

DURABILITY: 5000 CYCLES
OPERATING TEMP. RANGE: -40° C ~ +200° C
PROCESS TEMPERATURE : 260°C FOR 5 SECONDS
MAX. TORQUE VALUE : 2.5 Nm [22.1 IN/lbs]
SHIELDING: 75dB @ 10MHz
40dB @ 1GHz

IP RATING: 50



PANEL CUTOUT
TOLERANCE = +0.10, -0.0
[+0.004, -0.00]

CHART A

● = KEY LOCATION

VIEW FROM MATING FACE

2 POSITION 6 AMP MAX. PIN Ø = 0.90 [0.035]	3 POSITION 6 AMP MAX. PIN Ø = 0.90 [0.035]	4 POSITION 6 AMP MAX. PIN Ø = 0.70 [0.028]	5 POSITION 6 AMP MAX. PIN Ø = 0.70 [0.028]	6 POSITION 2.5 AMP MAX. PIN Ø = 0.50 [0.020]	7 POSITION 2.5 AMP MAX. PIN Ø = 0.50 [0.020]
CONTACT RESISTANCE = 6 mΩ TEST VOLTAGE = 1000V WORKING VOLTAGE = 330V	CONTACT RESISTANCE = 6 mΩ TEST VOLTAGE = 1200V WORKING VOLTAGE = 400V	CONTACT RESISTANCE = 7.5 mΩ TEST VOLTAGE = 850V WORKING VOLTAGE = 280V	CONTACT RESISTANCE = 7.5 mΩ TEST VOLTAGE = 850V WORKING VOLTAGE = 280V	CONTACT RESISTANCE = 10 mΩ TEST VOLTAGE = 850V WORKING VOLTAGE = 280V	CONTACT RESISTANCE = 10 mΩ TEST VOLTAGE = 800V WORKING VOLTAGE = 260V

****NOTE****
SEE PAGE 2 FOR
BOARD LAYOUTS

RoHS COMPLIANT



THESE DRAWINGS AND SPECIFICATIONS ARE THE PROPERTY OF NorComp AND SHALL NOT BE REPRODUCED, COPIED OR USED AS THE BASIS FOR THE MANUFACTURE OR SALE OF APPARATUS WITHOUT WRITTEN PERMISSION.

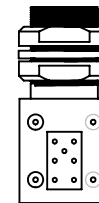
NorComp

DRAWN: M. SIGMON	DATE: 02-12-16	SCALE: N.T.S.	SHEET 1 OF 2	REV: 3
			DWG NO. 820BRY-213R001	

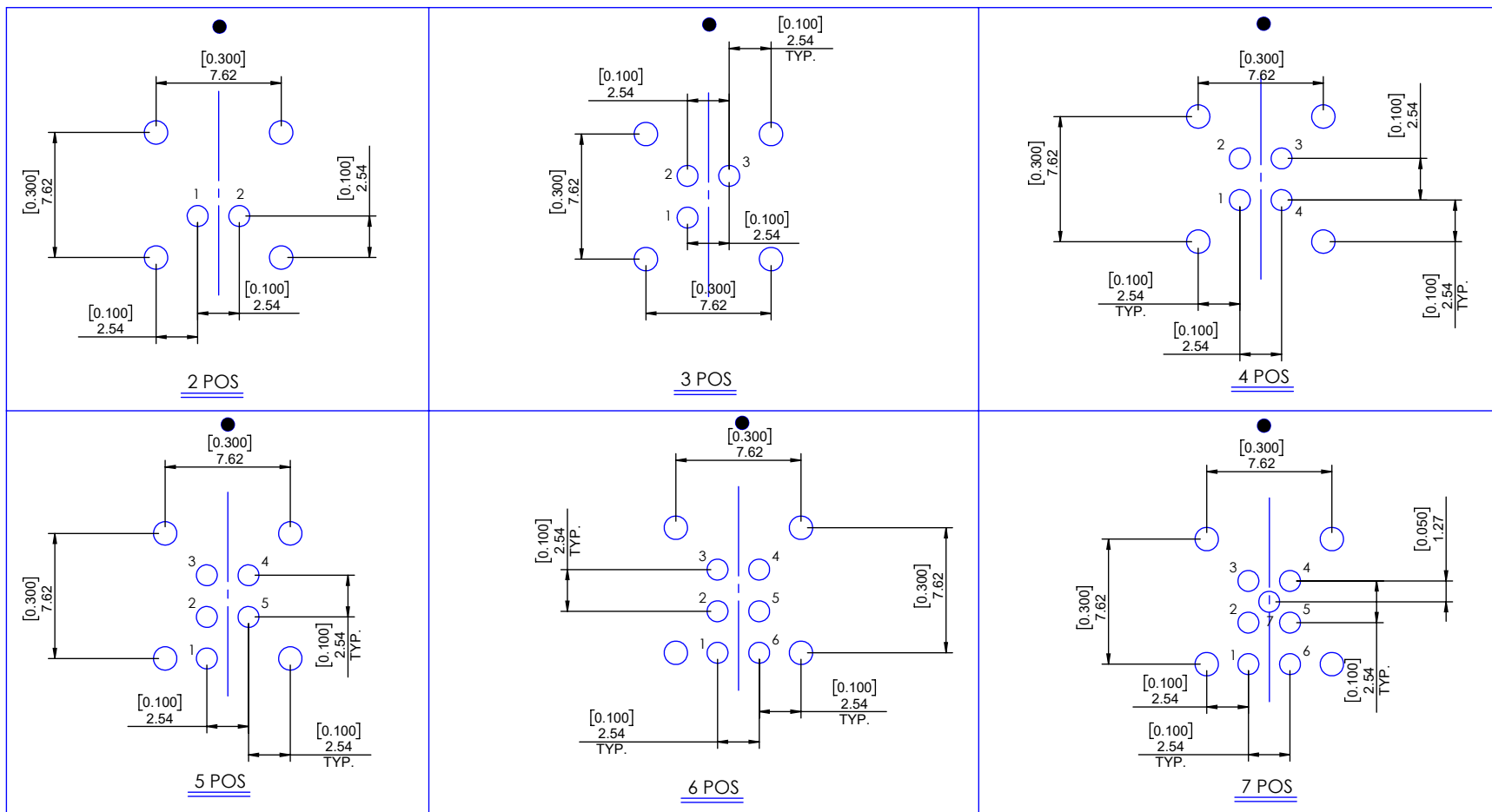
BOARD LAYOUTS

● = KEY LOCATION

ALL HOLE SIZES: 0.80 [0.031]



VIEW SHOWN FOR CONNECTOR ORIENTATION



RoHS COMPLIANT



THESE DRAWINGS AND SPECIFICATIONS ARE THE PROPERTY OF NorComp AND SHALL NOT BE REPRODUCED, COPIED OR USED AS THE BASIS FOR THE MANUFACTURE OR SALE OF APPARATUS WITHOUT WRITTEN PERMISSION.

NorComp

DRAWN: M. SIGMON

DATE: 02-12-16

SCALE: N.T.S.

SHEET 2 OF 2

REV: 3

DWG NO. 820BRY-213R001