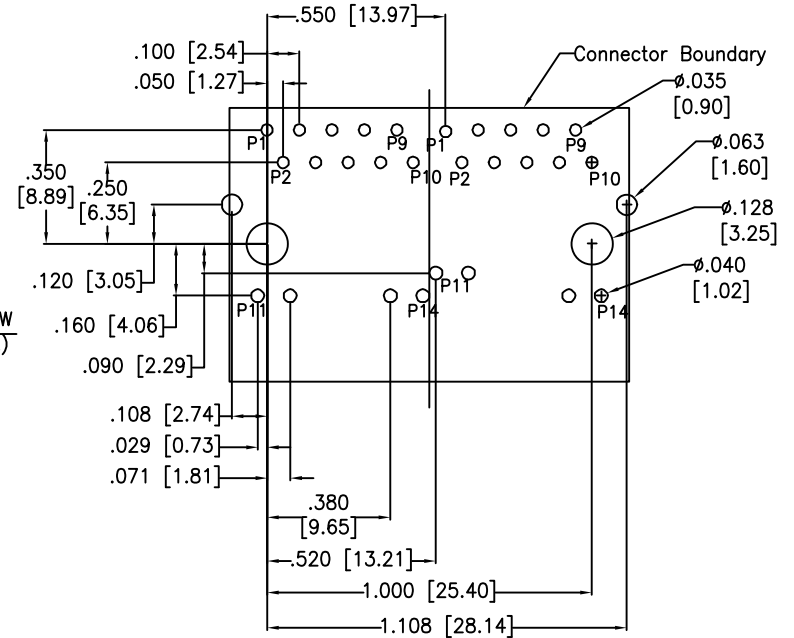
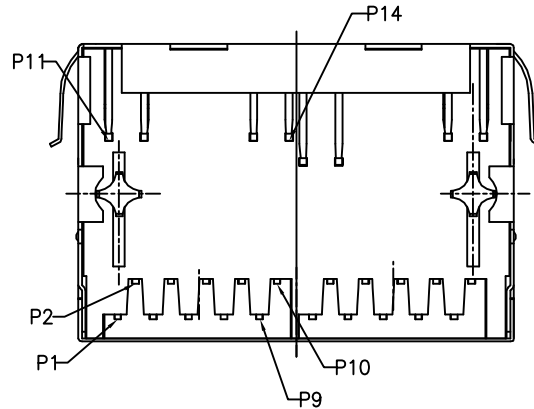
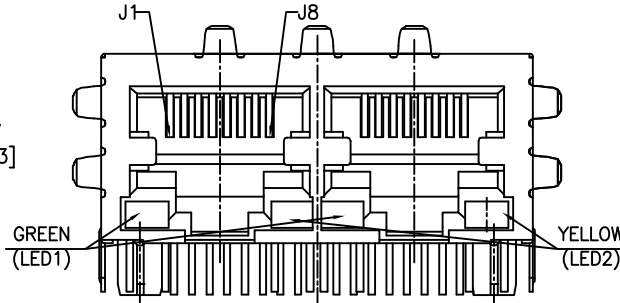
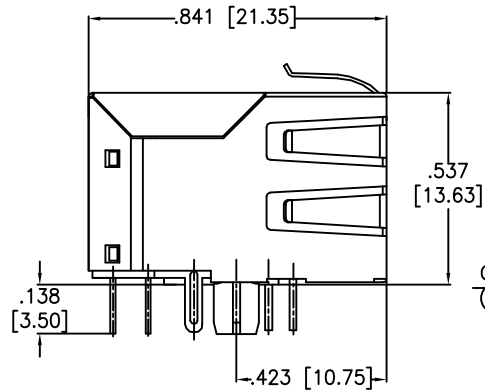


APPROVED: _____
 DATE: _____ TITLE: _____

Rev	AWO #	Description	Date	Appr
-		RELEASED	10/6/15	
A		UPDATED DRAWING	7/5/16	HR/AY
B		UPDATED DRAWING	11/13/18	HR/AY



RECOMMENDED PCB LAYOUT

SPECIFICATIONS:

Material:
 Insulator: Thermoplastic, rated UL 94V-0
 Insulator color: Black
 Contacts: Phosphor Bronze
 Shield: Brass, Nickel plated
 Plating:
 Round contact
 Gold over Nickel underplate overall
 Flat contact
 Gold over Nickel underplate on contact area,
 Tin over Nickel underplate on solder tails
 Electrical:
 Voltage rating: 150 VAC max
 Contact Resistance: 20 mohms max
 Insulation resistance: 500 Mohms min
 Dielectric withstanding voltage: 2,250 VDC for 1 minute
 Temperature Rating:
 Operating temperature: -0°C to +70°C
 Environmental:
 Lead free, RoHS compliant.



UNLESS OTHERWISE SPECIFIED
 ALL DIMENSIONS ARE INCHES [MM]
 TOLERANCES: EXCEPT AS NOTED
 INCHES HOLES

.X ± .10	∅X ± .10
.XX ± .020	∅XX ± .015
.XXX ± .015	∅XXX ± .010

APPROVALS		DATE
DRAWN	AY	10/6/15
CHECKED	SC	10/6/15
APPROVED		

ADAM TECH
 INTERCONNECTS

909 Rahway Avenue,
 Union, NJ 07083
 Phone: 908-687-5000
 Fax: 908-687-5710

TITLE MODULAR JACK GANGED, 2 PORT, 8P8C, W/ LED1 GREEN, LED2 YELLOW, NO REAR SHIELD PIN		
SIZE X	PART NO. MTJG-2-88TX1-FSD-PG-LH-NRSP-M47C	REV. B
REF: S00005C	SCALE: NTS	SHEET 1 OF 2

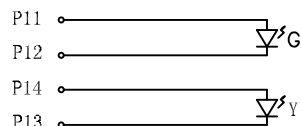
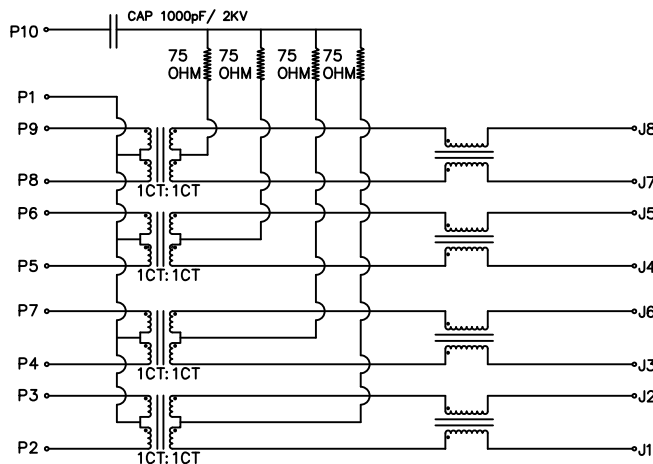
APPROVED: _____

DATE: _____ TITLE: _____

Rev	AWO #	Description	Date	Appr
-----	-------	-------------	------	------

SEE SHT 1 OF 2 FOR REVISION

Circuit Schematic:



Pin	Green		Yellow
P11	+	P13	-
P12	-	P14	+

Electronical Specifications:

- Turn Ratio @100KHz: (P2~P3):(J1~J2) = 1:1±5%
(P4~P7):(J3~J6) = 1:1±5%
(P5~P6):(J4~J5) = 1:1±5%
(P8~P9):(J7~J8) = 1:1±5%
- Primary Inductance: 350uH MIN @100KHZ,0.1V 8mA DC BIAS
- DC Resistance: 1.2 OHMS MAX
- Insertion Loss: 1-100MHz -1.0dB MAX
100-125MHz -1.2dB MAX
- Return Loss: 1-40MHz -16dB MIN
40-60MHz -12dB MIN
60-80MHz -10dB MIN
80-100MHz -8dB MIN
- CROSS TALK: 1-100MHz -30dB MIN
- COMMON TO COMMON MODE ATTENUATION: 1-100MHz -30dB MIN
- Isolation: PHY Side to Line Side: 2250VDC

UNLESS OTHERWISE SPECIFIED ALL DIMENSIONS ARE INCHES [MM] TOLERANCES: EXCEPT AS NOTED INCHES HOLES	
.X ±.10	Ø.X ±.10
.XX ±.020	Ø.XX ±.015
.XXX ±.015	Ø.XXX ±.010
APPROVALS	
DRAWN	AY
CHECKED	SC
APPROVED	
DATE	
10/6/15	
10/6/15	

ADAM TECH
INTERCONNECTS

909 Rahway Avenue,
Union, NJ 07083
Phone: 908-687-5000
Fax: 908-687-5710

TITLE
MODULAR JACK GANGED, 2 PORT, 8P8C, W/ LED1 GREEN, LED2 YELLOW, NO REAR SHIELD PIN

SIZE	PART NO.	REV.
X	MTJG-2-88TX1-FSD-PG-LH-NRSP-M47C	B
REF: S00005C	SCALE: NTS	SHEET 2 OF 2