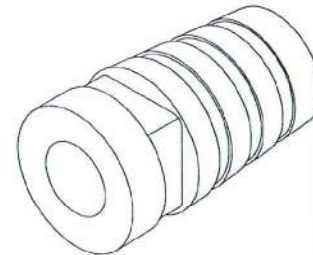
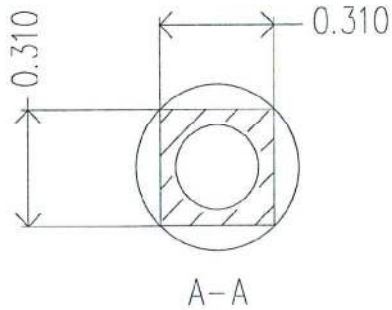
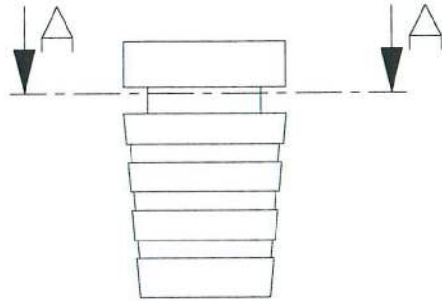
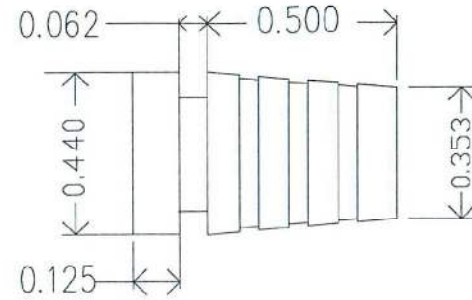
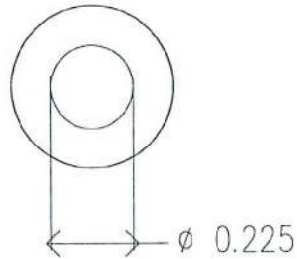


ZONE		REV.	REVISIONS DESCRIPTION	DATE	APPROVED



MOLD MATERIAL: ISC P/N: 5000214, PVC, M1472, Blk, RoHS

ISC ENGINEERING
CONTROLLED COPY
 Rich Fierro 09/06/2016

Dimensions are subject to change.
 PROPRIETARY AND CONFIDENTIAL

THE INFORMATION CONTAINED IN THIS DRAWING IS THE SOLE PROPERTY OF ISC ENGINEERING. ANY REPRODUCTION IN PART OR AS A WHOLE WITHOUT THE WRITTEN PERMISSION OF ISC ENGINEERING IS PROHIBITED.

		DIMENSIONS ARE IN INCHES		NAME	DATE	ISC Engineering 4351 Schaefer Ave, Chino, CA 91710 Ph: 909-596-3315 Fax: 909-596-3335 www.iscengineering.com www.overmoldtooling.com
		TOLERANCES:		DRAWN	R FIERRO	
		FRACTIONAL ±		CHECKED		
		ANGULAR: MACH ± BEND ±		ENG APPR.		
		TWO PLACE DECIMAL ±		MFG APPR.		
		THREE PLACE DECIMAL ±		Q.A.		
		MATERIAL ---		COMMENTS:		
		FINISH ---				1461040-225-B-310X310-440-0
NEXT ASSY	USED ON			SIZE	DWG. NO.	REV.
		APPLICATION DO NOT SCALE DRAWING		A	1467067	
				SCALE: 2:1	WEIGHT:	SHEET 1 OF 1