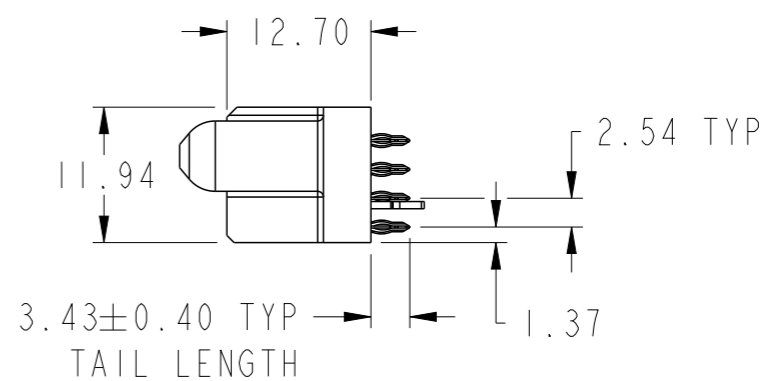
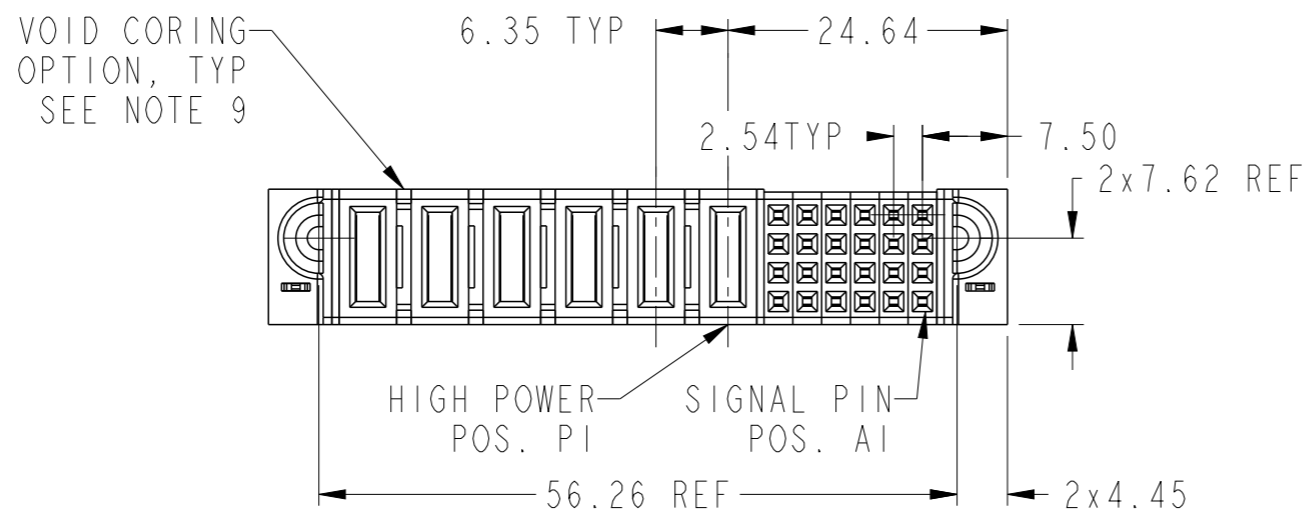
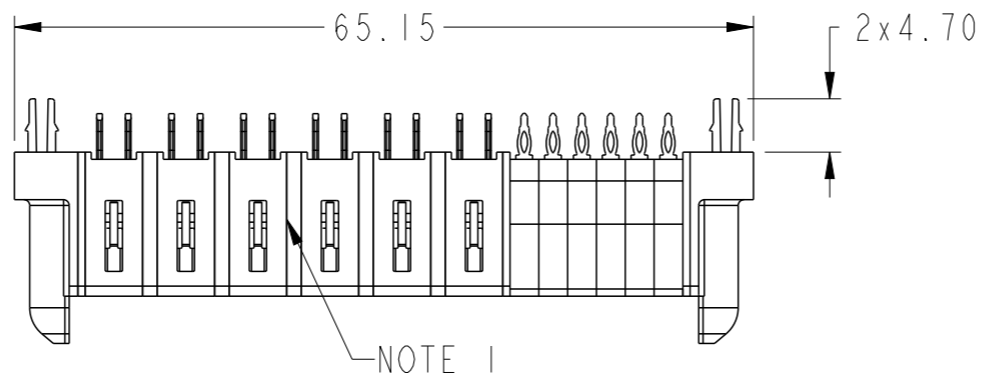
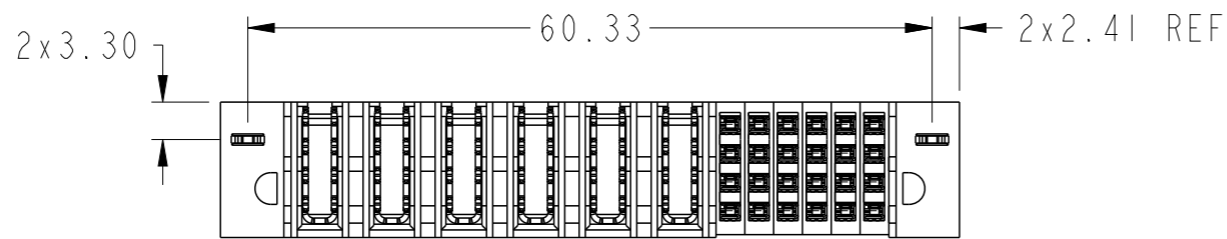


PRODUCT NUMBER SEE SHEET 2



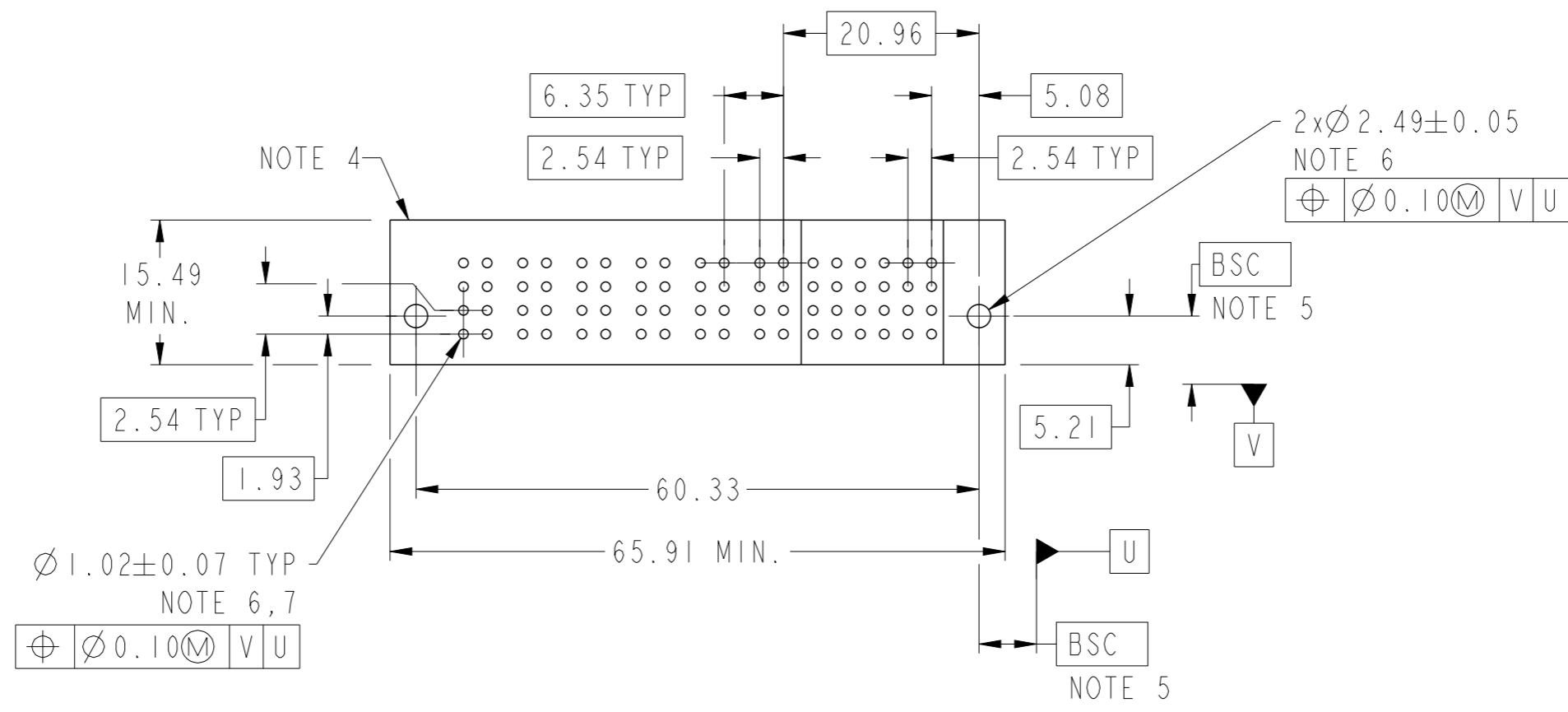
spec ref		dr	Zhen-Hua Liu	2015/07/23	projection 	MM ←→	size	A3	scale	3:2		
tolerance std ASME Y14.5		eng	Zhen-Hua Liu	2015/08/05			ecn no	-				
TOLERANCES UNLESS OTHERWISE SPECIFIED		chr	Fancy Zhang	2015/08/04			rel level	Released				
surface	linear	0.X	±0.50	www.fci.com	product family	PowerBlade+	cat. no.	24S + 6HP	dwg no	10106131-6006004	rev	A
		0.XX	±0.25									
		0.XXX	±0.10									
ASME Y14.5	angular	0°	±2°				Product - Customer Drw		sheet 1 of 3			



Copyright FCI.

PRODUCT NO.	ROWS	HIGH POWER						SIGNAL						E1	E2		
		P6	P5	P4	P3	P2	P1	6	5	4	3	2	1				
10106131-6006004LF	DCBA	HA	HG	HG	HG	HG	HG	HG	F	F	F	F	F	F	F	F	HA

CODE	DESCRIPTION
F	STD SIGNAL CONTACT
HA	METAL HOLD DOWN
HG	STD HIGH POWER CONTACT (3.43)



Copyright FCI.

dr	Zhen-Hua Liu	2015/07/23	projection	MM	size	A3	scale	3:2
eng	Zhen-Hua Liu	2015/08/05			ecn no			
chr	Fancy Zhang	2015/08/04			-			
appr	Pei-Ming Zheng	2015/08/05	product family	PowerBlade+	rel level			
			title 24S + 6HP VT PF RECEPTACLE		dwg no 10106131-6006004		rev A	
www.fci.com			cat. no.		Product - Customer Drw			sheet 2 of 3

A

B

C

D

A

B

C

D

NOTES:

- 1) "FCI", PART NUMBER AND DATE CODE TO BE MARKED ON THIS SURFACE.
THE MARK CAN BE OMITTED IF THERE IS NOT ENOUGH SPACE ON THIS SURFACE.
- 2) MATERIALS:
-HOUSING - GLASS FILLED WITH HIGH TEMP THERMOPLASTIC, UL94V-0.
-SIGNAL CONTACT - COPPER ALLOY.
-POWER CONTACT - HIGH CONDUCTIVITY COPPER ALLOY.
- 3) PLATING SPECIFICATION : 10116351
- 4) DENOTES CONNECTOR KEEP OUT ZONE.
- 5) DATUM AND BASIC DIMENIONS WERE ESTABLISHED BY CUSTOMER.
- 6) ALL HOLE DIAMETERS ARE FINISHED HOLE SIZES.
- 7) 1.15 ± 0.025MM DRILLED HOLE PLATED WITH 0.00762MM MIN Sn
OVER 0.0254-0.0762MM Cu PLATING TO ACHIEVE A 1.02 ± 0.07MM HOLE.
- 8) PRODUCT SPECIFICATION : GS-12-658.
APPLICATION SPECIFICATION : GS-20-141.
PRODUCT PACKAGE SPECIFICATION : GS-14-1502.
- 9) THE VOID CORING IN BETWEEN POWER MODULES, SIGNAL
MODULES AND END MODULES ARE OPTIONAL AND THE SHAPE
MAY BE DIFFERENT FOR OPTIMIZE THE MOLDING PROCESS. THE
VOID CORING WILL NOT EFFECT TO PRODUCT FUNCTION.



Copyright FCI.

dr	Zhen-Hua Liu	2015/07/23	projection 	MM 	size	A3	scale	1:1
eng	Zhen-Hua Liu	2015/08/05			ecn no	-		
chr	Fancy Zhang	2015/08/04			product family	PowerBlade+	rel level	Released
appr	Pei-Ming Zheng	2015/08/05			title 24S + 6HP VT PF RECEPTACLE	dwg no 10106131-6006004	rev A	
www.fci.com			cat. no.	Product - Customer Drw		sheet 3 of 3		