

# H-PIN H057

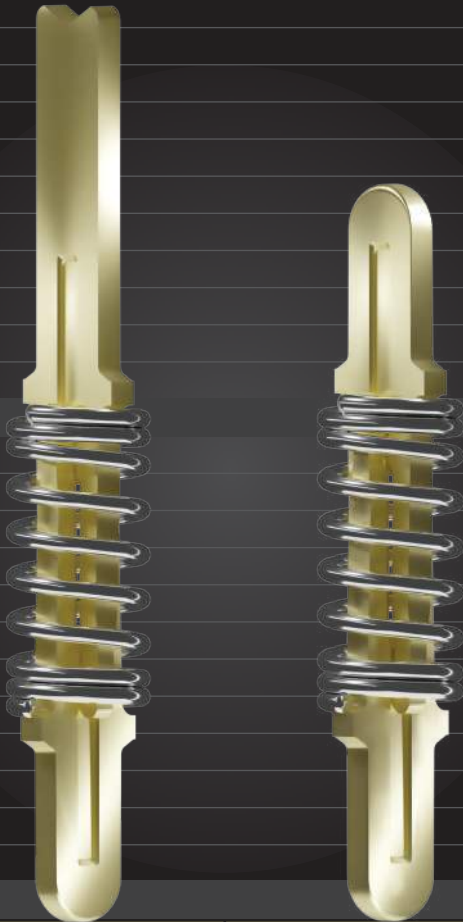


The H-Pin H057 Series has an outside diameter of 0.57 mm and supports applications 0.7 mm pitch and above.

4mm

2mm

0mm



H057DL1A

H057LL1A

## MECHANICAL PROPERTIES

PITCH:	0.70mm (min)
WORKING TRAVEL:	0.50mm
CONTACT FORCE:	30.0gf
FULL LENGTH:	3.00mm
COMPRESSED LENGTH:	2.49mm
OPERATING TEMPERATURE:	+180°C
MECHANICAL LIFE:	>125,000 cycles

## ELECTRICAL PROPERTIES

CONTACT RESISTANCE:	<30mΩ
CURRENT RATING (FREE AIR):	3.0 amp
SELF INDUCTANCE:	0.95nH
BANDWIDTH @ -1DB:	18.1GHz

## MATERIALS

STAMPED CONTACT:	BeCu , Au Plate
SPRING:	SS, Au Plate

## DOWNLOADS

PDF DATA SHEET



PDF SALES DRAWING/DESIGN GUIDE



PDF SIGNAL PERFORMANCE



PDF DC PERFORMANCE



# H-PIN

## H057 X X X X

### H-PIN SERIES

H057 – 0.80mm

### TOP CONTACTOR

U – Standard BGA

L – Standard LGA

D – Extended Tip BGA

### OPTIONS

A – Au Plating

### SPRING TYPE

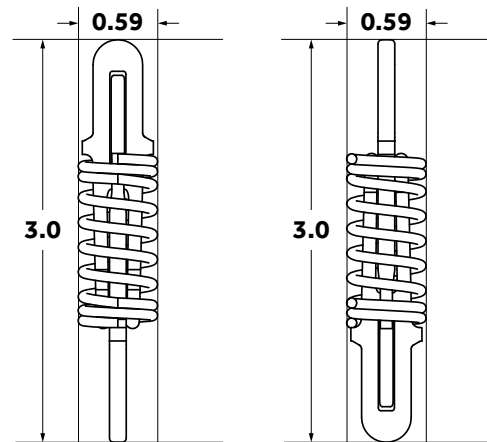
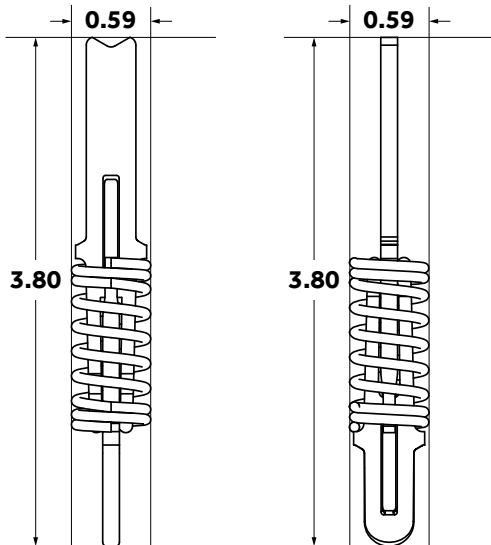
(full Deflection)

1 – 30.9gf

2 – 26.7gf

### BOTTOM CONTACTOR

L – Standard LGA



H057DL1A

H057DL2A

H057LL1A

H057LL2A