

THIS DRAWING IS UNPUBLISHED. RELEASED FOR PUBLICATION 20

© COPYRIGHT 20 BY TYCO ELECTRONICS CORPORATION. ALL RIGHTS RESERVED.

CAD Pro-E DO NOT REVISE EXCEPT BY CAD

LOC AP DIST -

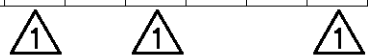
REVISIONS

P	LTR	DESCRIPTION	DATE	DWN	APVD
C		REVISED BY ECLE10 0356/04	11NOV2004	JOF	PLF
C1		REVISED BY EC LE10-0009/05	17FEB2005	MAS	PLF
C2		REVISED PER ECO-09-026444	27NOV09	KK	AEG

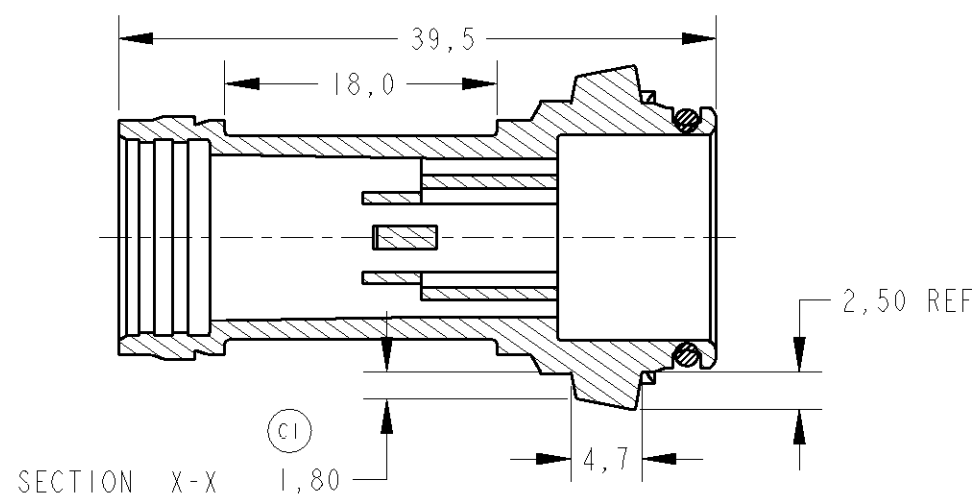
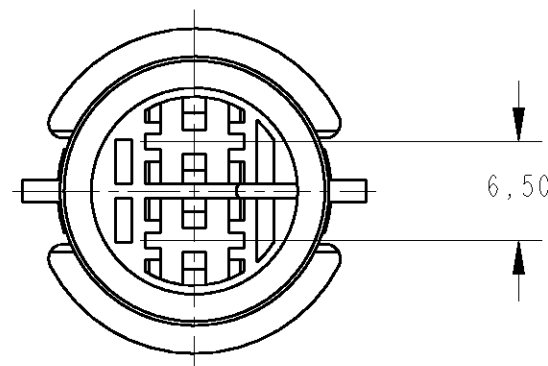
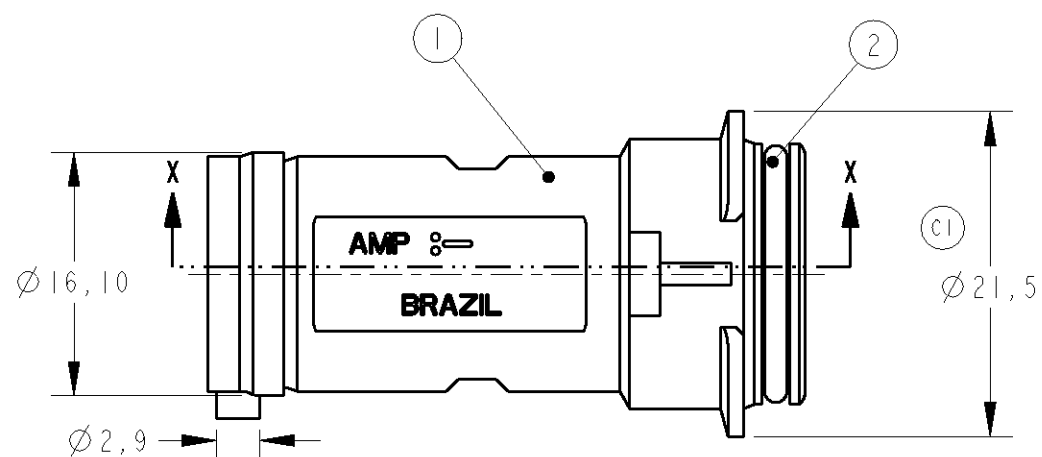
881209

REQUIRED PER ASSY

PN	VW	-8	-7	-6	-5	-4	-3	-2	-1	ITEM	DESCRIPTION	MATERIAL	FINISH
813 971 956		--	--	--	--	--	--	--	1	1	2 WAY TAB HOUSING	POLIAMIDA 6.6	PRETO
813 971 956-A		--	--	--	--	--	--	1	--	1	2 WAY TAB HOUSING	POLIAMIDA 6.6	MARROM
813 971 956-B		--	--	--	--	1	--	--	--	1	2 WAY TAB HOUSING	POLIAMIDA 6.6	VERMELHO
813 971 956-C		--	--	--	1	--	--	--	--	1	2 WAY TAB HOUSING	POLIAMIDA 6.6	AMARELO
813 971 956-D		--	--	--	1	--	--	--	--	1	2 WAY TAB HOUSING	POLIAMIDA 6.6	AZUL
813 971 956-E		--	--	1	--	--	--	--	--	1	2 WAY TAB HOUSING	POLIAMIDA 6.6	BRANCO
813 971 956-F		--	1	--	--	--	--	--	--	1	2 WAY TAB HOUSING	POLIAMIDA 6.6	VERDE
813 971 956-G		1	--	--	--	--	--	--	--	1	2 WAY TAB HOUSING	POLIAMIDA 6.6	CINZA
---		1	1	1	1	1	1	1	1	2	O'RING	NEOPRENE / NITRILICA	PRETO



1 OBSOLETE PARTS: OBSOLETE CIS STREAMLINING PER D.RENAUD/D.SINISI



<small>THIS DRAWING IS A CONTROLLED DOCUMENT FOR TYCO ELECTRONICS CORPORATION IT IS SUBJECT TO CHANGE AND THE CONTROLLING ENGINEERING ORGANIZATION SHOULD BE CONTACTED FOR THE LATEST REVISION.</small>		DWN J.OLVADIAS 09NOV2004 CHK PL FARIA 11NOV2004 APVD M.OLIVEIRA 11NOV2004		<b>tyco</b> TYCO ELECTRONICS do Brasil LTDA. <b>Electronics</b> Sao Paulo, Brasil	
DIMENSIONS: mm 		TOLERANCES UNLESS OTHERWISE SPECIFIED: 0 PLC ±0,3 1 PLC ±0,3 2 PLC ±0,2 3 PLC ± 4 PLC ± ANGLES ±30'		NAME 2 WAY TAB HSG. ASS'Y PRODUCT SPEC - APPLICATION SPEC - WEIGHT - / -	
MATERIAL SEE TABLE		FINISH SEE TABLE		SIZE A3 CAGE CODE 00779 DRAWING NO C-881209 RESTRICTED TO -	
CUSTOMER DRAWING				SCALE 3:1 SHEET 1 OF 1 REV C2	