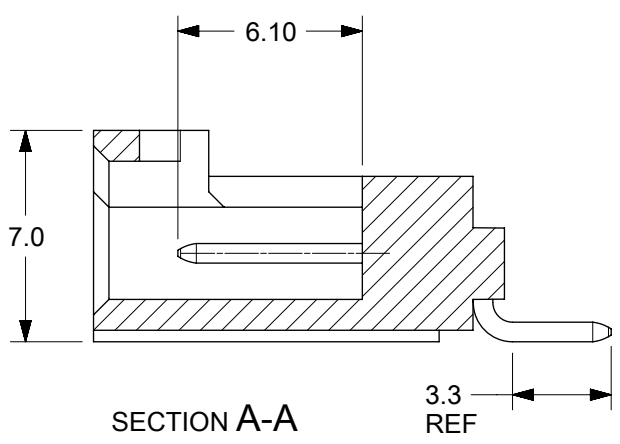
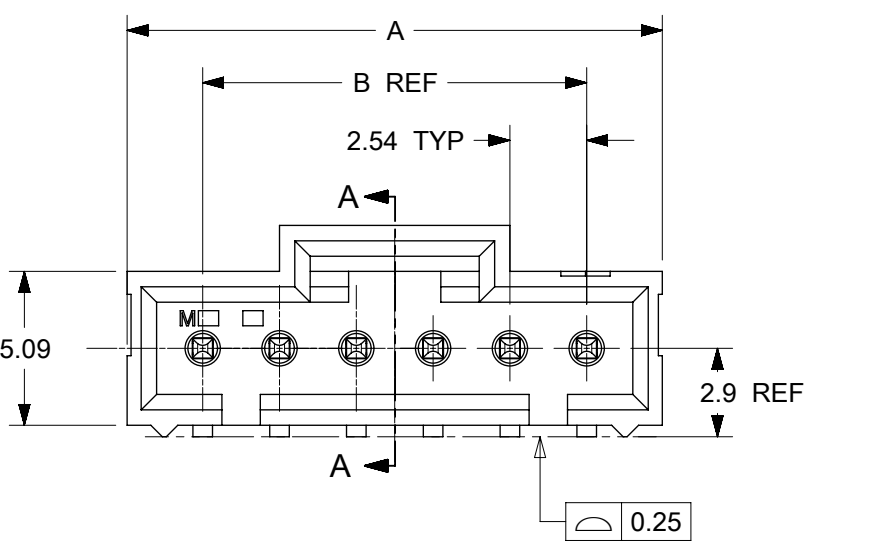
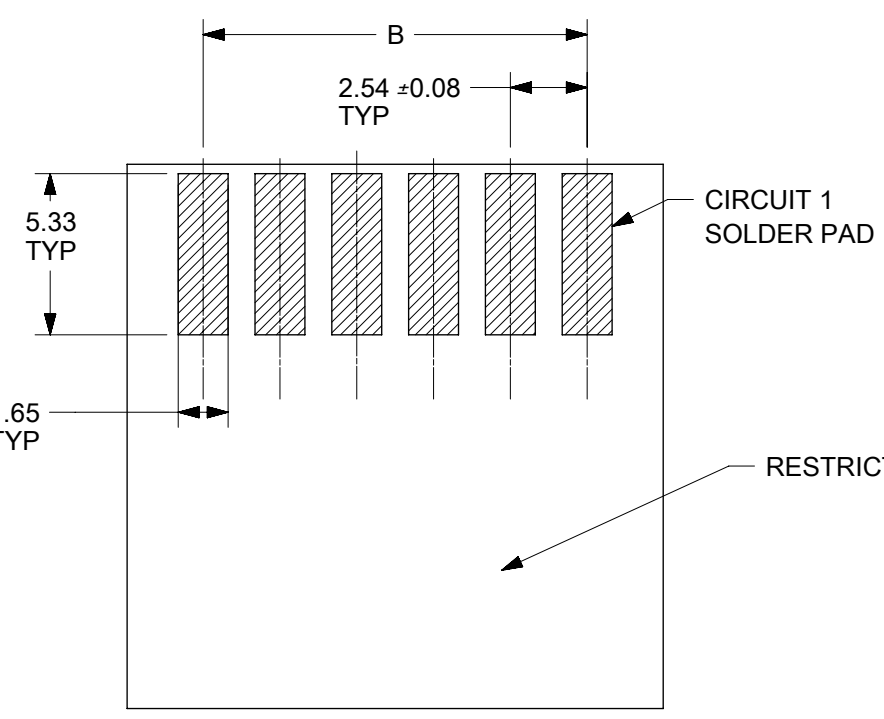


2 CIRCUIT PART



SECTION A-A



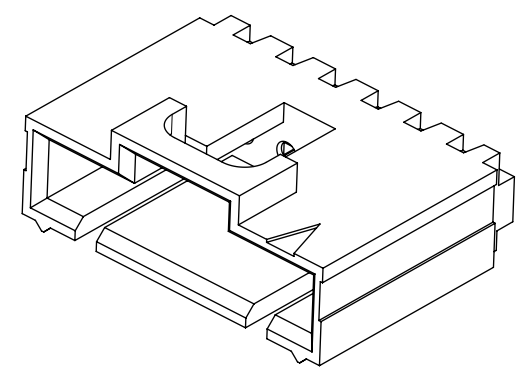
CIRCUIT 1 SOLDER PAD

RESTRICTED AREA

PCB LAYOUT: COMPONENT SIDE
RECOMMENDED PCB THICKNESS: NA

NOTES:

- HOUSING MATERIAL: LCP, UL94V-0, BLACK
TERMINAL MATERIAL: BRASS
- FINISH:
MATTE TIN = OVERALL MATTE TIN: 2.54 MICROMETERS MIN OVER NICKEL.
0.38 GOLD = SELECT GOLD IN CONTACT AREA: 0.38 MICROMETER MIN
SELECT MATTE TIN IN PC TAIL: 2.0 MICROMETERS MIN
WITH OVERALL NICKEL UNDERPLATE
0.75 GOLD = SELECT GOLD IN CONTACT AREA: 0.75 MICROMETER MIN
SELECT MATTE TIN IN PC TAIL: 2.0 MICROMETERS MIN
WITH OVERALL NICKEL UNDERPLATE
- PRODUCT SPECIFICATION: 1719710000-PS AND PS-70400
- PACKAGING SPECIFICATION: TUBES PER 1719760000-PK
- HEADER MATES WITH: OPTION "G" 70400 AND 70430 SERIES
SL CONNECTORS
- COSMETIC SPECIFICATION: PS-45499-002 CLASS B
- SOLDERABILITY PER SMES-152 LEAD FREE ALLOY



6 CKT PART SHOWN SEE
SEE 2 FOR OTHER OPTIONS

CKTS	A	B
2	7.54	2.54
3	10.08	5.08
4	12.62	7.62
5	15.16	10.16
6	17.70	12.70
7	20.24	15.24
8	22.78	17.78
9	25.32	20.32
10	27.86	22.86
11	30.40	25.40
12	32.94	27.94
13	35.48	30.48
14	38.02	33.02
15	40.56	35.56
16	43.10	38.10
17	45.64	40.64
18	48.18	43.18
19	50.72	45.72
20	53.26	48.26
21	55.80	50.80
22	58.34	53.34
23	60.88	55.88
24	63.42	58.42
25	65.96	60.96

SYMBOLS										THIS DRAWING CONTAINS INFORMATION THAT IS PROPRIETARY TO MOLEX ELECTRONIC TECHNOLOGIES, LLC AND SHOULD NOT BE USED WITHOUT WRITTEN PERMISSION									
= 0		mm		SCALE		5:1		CURRENT REV DESC: REV PER QUAL											
= 0		GENERAL TOLERANCES (UNLESS SPECIFIED)		ANGULAR TOL		± 0.5°		EC NO: 174682											
= 0		4 PLACES ±		3 PLACES ±		2 PLACES ± 0.25		DRWN: KSAMIEC 2018/04/04											
= 0		1 PLACE ± 0.38		0 PLACES ± 0.0		DRAFT WHERE APPLICABLE MUST REMAIN WITHIN DIMENSIONS		CHK'D: MKIPPER 2018/04/09											
= 0		THIRD ANGLE PROJECTION		DRAWING		SERIES		APPR: FSMITH 2018/04/11											
= 0		B-SIZE		171976		MATERIAL NUMBER		CUSTOMER		SHEET NUMBER		INITIAL REVISION:							
= 0		SEE CHART		GENERAL MARKET		1 OF 2		1719760000-SD		PSD 000 B1		DRWN: KSAMIEC 2016/09/01							
= 0		171976		SERIES		MATERIAL NUMBER		CUSTOMER		SHEET NUMBER		APPR: FSMITH 2016/10/20							



SL RTAN HEADER ASSY SMT NO PEGS

PRODUCT CUSTOMER DRAWING

	10	9	8	7	6	5	4	3	2	1	
F		MATTE TIN	0.38 GOLD	0.75 GOLD							
	CIRCUIT SIZE	MATERIAL NUMBER	MATERIAL NUMBER	MATERIAL NUMBER							
	2	171976-0002	171976-0102	171976-0202							
E	3	171976-0003	171976-0103	171976-0203							
	4	171976-0004	171976-0104	171976-0204							
	5	171976-0005	171976-0105	171976-0205							
	6	171976-0006	171976-0106	171976-0206							
	7	171976-0007	171976-0107	171976-0207							
	8	171976-0008	171976-0108	171976-0208							
	9	171976-0009	171976-0109	171976-0209							
	10	171976-0010	171976-0110	171976-0210							
	11	171976-0011	171976-0111	171976-0211							
	12	171976-0012	171976-0112	171976-0212							
	D	13	171976-0013	171976-0113	171976-0213						
		14	171976-0014	171976-0114	171976-0214						
15		171976-0015	171976-0115	171976-0215							
16		171976-0016	171976-0116	171976-0216							
17		171976-0017	171976-0117	171976-0217							
18		171976-0018	171976-0118	171976-0218							
19		171976-0019	171976-0119	171976-0219							
20		171976-0020	171976-0120	171976-0220							
C	21	171976-0021	171976-0121	171976-0221							
	22	171976-0022	171976-0122	171976-0222							
	23	171976-0023	171976-0123	171976-0223							
	24	171976-0024	171976-0124	171976-0224							
	25	171976-0025	171976-0125	171976-0225							

SYMBOLS	THIS DRAWING CONTAINS INFORMATION THAT IS PROPRIETARY TO MOLEX ELECTRONIC TECHNOLOGIES, LLC AND SHOULD NOT BE USED WITHOUT WRITTEN PERMISSION											
	DIMENSION UNITS		SCALE		CURRENT REV DESC: REV PER QUAL						molex	
	mm		1:1									
	= 0		GENERAL TOLERANCES (UNLESS SPECIFIED)		EC NO: 174682						SL RTAN HEADER ASSY SMT NO PEGS	
	= 0		ANGULAR TOL ± 0.5°		DRWN: KSAMIEC 2018/04/04							
	= 0		4 PLACES ±		CHK'D: MKIPPER 2018/04/09							
	= 0		3 PLACES ±		APPR: FSMITH 2018/04/11						PRODUCT CUSTOMER DRAWING	
	= 0		2 PLACES ± 0.25		INITIAL REVISION:						DOCUMENT NUMBER	
	= 0		1 PLACE ± 0.38		DRWN: KSAMIEC 2016/09/01						1719760000-SD	
	= 0		0 PLACES ± 0.0		APPR: FSMITH 2016/10/20						PSD 000 B1	
= 0		DRAFT WHERE APPLICABLE MUST REMAIN WITHIN DIMENSIONS		THIRD ANGLE PROJECTION		DRAWING		SERIES		SHEET NUMBER		
= 0						B-SIZE		171976		2 OF 2		

DOCUMENT STATUS	P1	RELEASE DATE	2018/04/11	17:48:21
-----------------	----	--------------	------------	----------