

- 注記 :  
NOTES :
- ① 材料及び仕上げ(めっき仕様) : TABLE 1, TABLE2 参照  
MATERIAL AND FINISHES (PLATING SPECIFICATION) : SEE TABLE 1, TABLE2.
  - ② 製品仕様書、コネクタ取扱説明書、適合嵌合相手、適合リテーナーはSHEET 5を  
ご参照下さい。  
PLEASE REFER TO SHEET 5 FOR PRODUCT SPECIFICATION,  
APPLICATION SPECIFICATION, MATE WITH AND APPLICABLE RETAINER.
  - ③ 端子テール部 及び ネイルの平坦度 : 0.1 MAXIMUM  
TAIL AND NAIL COPLANARITY TO BE 0.1 MAXIMUM
  - ④ 偶数極に適合  
APPLY TO EVEN CIRCUIT
  - ⑤ 発注番号 : SHEET 5 参照  
ORDER NUMBER : PLEASE REFER TO SHEET 5

505568\*\*7\*

極数  
CIRCUIT SIZE

| 番号<br>NO. | ハウジングカラー<br>HOUSING COLOR     |
|-----------|-------------------------------|
| 0         | ナチュラル(ベージュ)<br>NATURAL(BEIGE) |
| 1         | 黒<br>BLACK                    |
| 2         | 赤<br>RED                      |
| 3         | 黄<br>YELLOW                   |
| 4         | 青<br>BLUE                     |
| 6         | 緑<br>GREEN                    |
| 8         | 橙<br>ORANGE                   |

|       |       |       |                    |
|-------|-------|-------|--------------------|
| 22.2  | 18.75 | 23.25 | 16                 |
| 20.95 | 17.5  | 22    | 15                 |
| 19.7  | 16.25 | 20.75 | 14                 |
| 18.45 | 15    | 19.5  | 13                 |
| 17.2  | 13.75 | 18.25 | 12                 |
| 15.95 | 12.5  | 17    | 11                 |
| 14.7  | 11.25 | 15.75 | 10                 |
| 13.45 | 10    | 14.5  | 9                  |
| 12.2  | 8.75  | 13.25 | 8                  |
| 10.95 | 7.5   | 12    | 7                  |
| 9.7   | 6.25  | 10.75 | 6                  |
| 8.45  | 5     | 9.5   | 5                  |
| 7.2   | 3.75  | 8.25  | 4                  |
| 5.95  | 2.5   | 7     | 3                  |
| 4.7   | 1.25  | 5.75  | 2                  |
| C     | B     | A     | 極数<br>CIRCUIT SIZE |

奇数キャビティ : キャビティ番号及び金型番号  
偶数キャビティ : トレードマーク  
ODD CAVITY:CAVITY AND MOLD NO.  
EVEN CAVITY:TRADE MARK

奇数キャビティ : トレードマーク  
偶数キャビティ : キャビティ番号及び金型番号  
ODD CAVITY:TRADE MARK  
EVEN CAVITY:CAVITY AND MOLD NO.

① TABLE 1

| 番号<br>NO. | 部品<br>PART           | 材質<br>MATERIAL   |
|-----------|----------------------|--|
| ①         | ハウジング<br>HOUSING     | ポリアミド(PA), ガラス充填, UL94 V-0, 色 : SHEET 5参照<br>POLYAMIDE (PA), GLASS FILLED, UL94 V-0, COLOR : SEE SHEET 5                             |
| ②         | ターミナル<br>TERMINAL    | 黄銅<br>BRASS  |
|           |                      | 錫ビスマスめっき : 1.0 MICROMETER MINIMUM<br>TIN-BISMUTH PLATING<br>ニッケルめっき(下地全面) : 1.0 MICROMETER MINIMUM<br>NICKEL (UNDER-PLATING OVERALL) |
| ③         | ネイル<br>NAIL          | 黄銅<br>BRASS  |
|           |                      | 錫めっき : 1.0 MICROMETER MINIMUM<br>MATTE TIN PLATING<br>ニッケルめっき(下地全面) : 1.0 MICROMETER MINIMUM<br>NICKEL (UNDER-PLATING OVERALL)       |
| ④         | カバーテープ<br>COVER TAPE | ポリイミド<br>POLYIMIDE   |

THIS DRAWING CONTAINS INFORMATION THAT IS PROPRIETARY TO MOLEX ELECTRONIC TECHNOLOGIES, LLC AND SHOULD NOT BE USED WITHOUT WRITTEN PERMISSION

| DIMENSION UNITS                                      | SCALE   | CURRENT REV DESC.            |
|--|---------|------------------------------|
| mm   | NTS     |                              |
| GENERAL TOLERANCES (UNLESS SPECIFIED)                |         |                              |
| ANGULAR TOL  | ± 3.0 ° |                              |
| 4 PLACES   | ± 0.2   | EC NO: 736271                |
| 3 PLACES   | ± 0.2   | DRWN: SOKUMURA01 2022/12/27  |
| 2 PLACES   | ± 0.2   | CHK'D: SAKIYAMA 2023/02/16   |
| 1 PLACE  | ± 0.2   | APPR: AIDA 2023/02/16        |
| 0 PLACES   | ± 0.2   | INITIAL REVISION:            |
|  |         | DRWN: RWATANABE01 2017/08/28 |
|  |         | APPR: TKANEKO 2017/09/26     |
| DRAFT WHERE APPLICABLE MUST REMAIN WITHIN DIMENSIONS |         | THIRD ANGLE PROJECTION       |
| DRAWING  |         | SERIES                       |
| A3-SIZE  | 505568  | MATERIAL NUMBER              |
| CUSTOMER   |         | SHEET NUMBER                 |
| GENERAL  |         | 1 OF 5                       |

**molex**

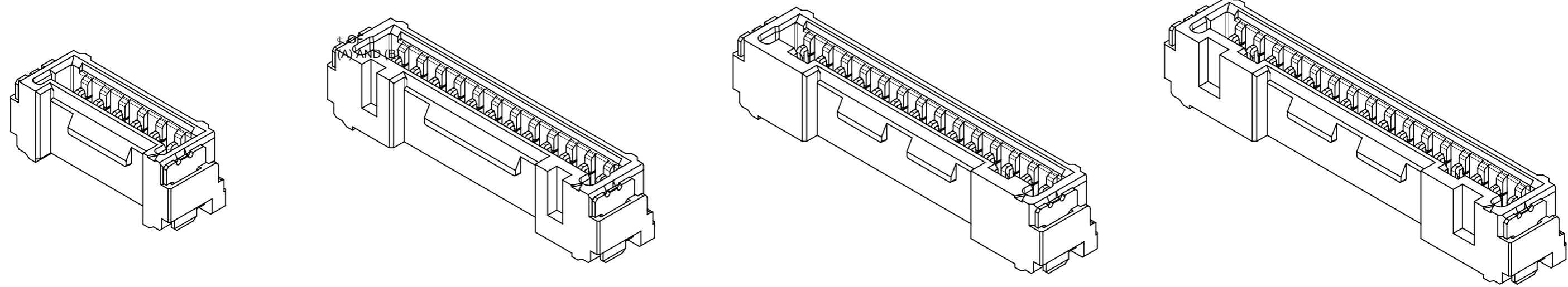
MICRO-LOCK PLUS 1.25 W/B  
SINGLE ROW VERTICAL SMT PLUG ASSEMBLY  
TIN-BISMUTH PLATING

PRODUCT CUSTOMER DRAWING

DOCUMENT NUMBER: 5055680000-SD  
DOC TYPE: PSD  
DOC PART: 000  
REVISION: D

SEE SHEET 5

製品形状  
PRODUCT SHAPE



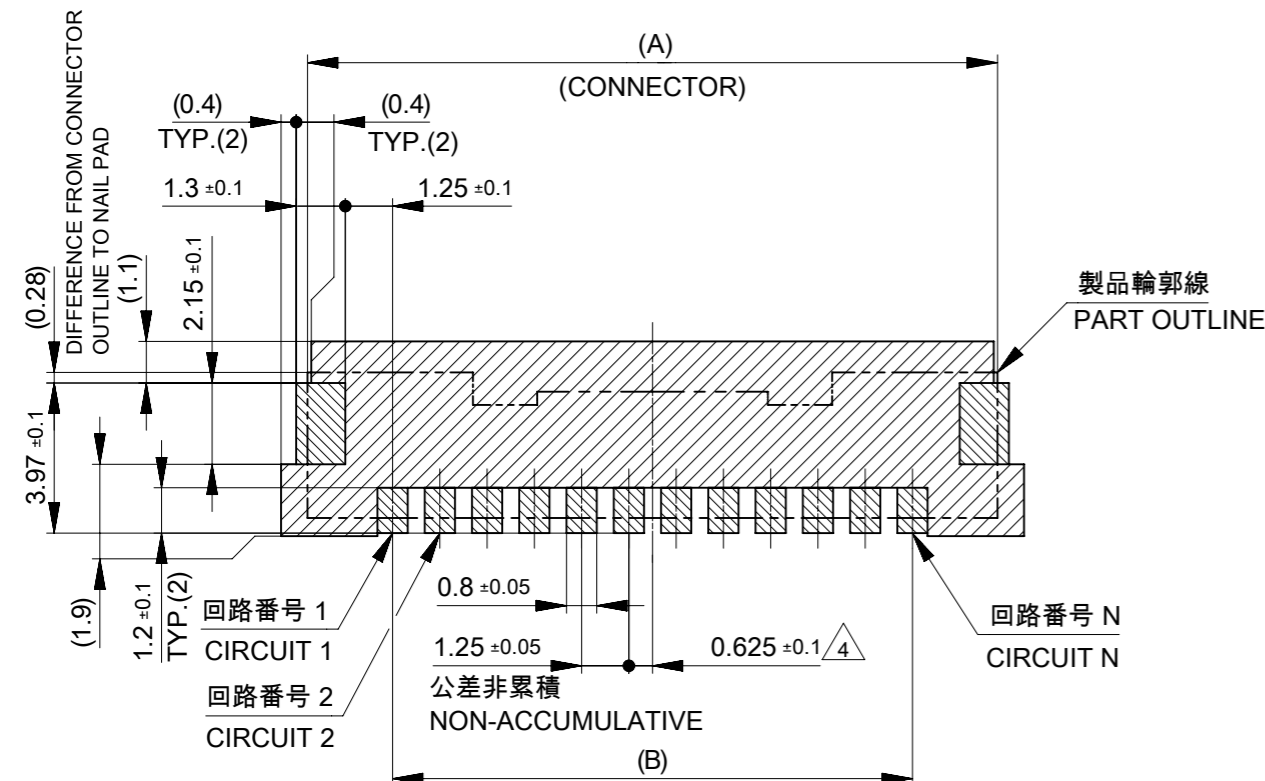
2-11極  
2-11 CIRCUIT

12-13極  
12-13 CIRCUIT

14極  
14 CIRCUIT

15-16 極  
15-16 CIRCUIT

基板パターンレイアウト  
PCB PATTERN LAYOUT

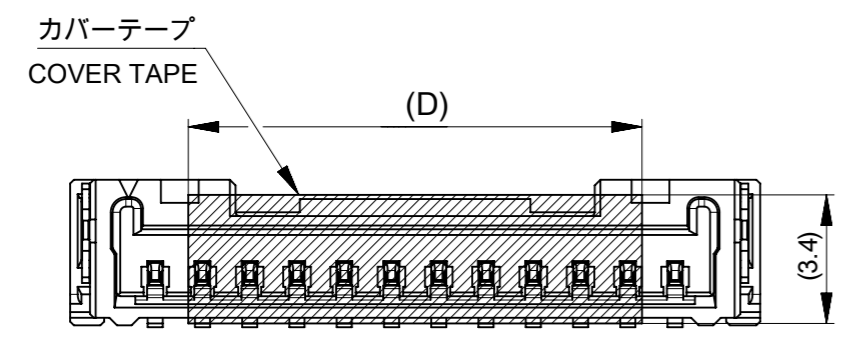


基板パターンレイアウト (参考)  
(参考: 基板厚 1.6mm, メタルマスク厚さ 0.15mm, マスク開口率 100%)  
RECOMMEND PCB LAYOUT : COMPONENT SIDE  
(REFERENCE : PCB THICKNESS 1.6mm, STENCIL THICKNESS 0.15mm, APERTURE RATIO 100%)

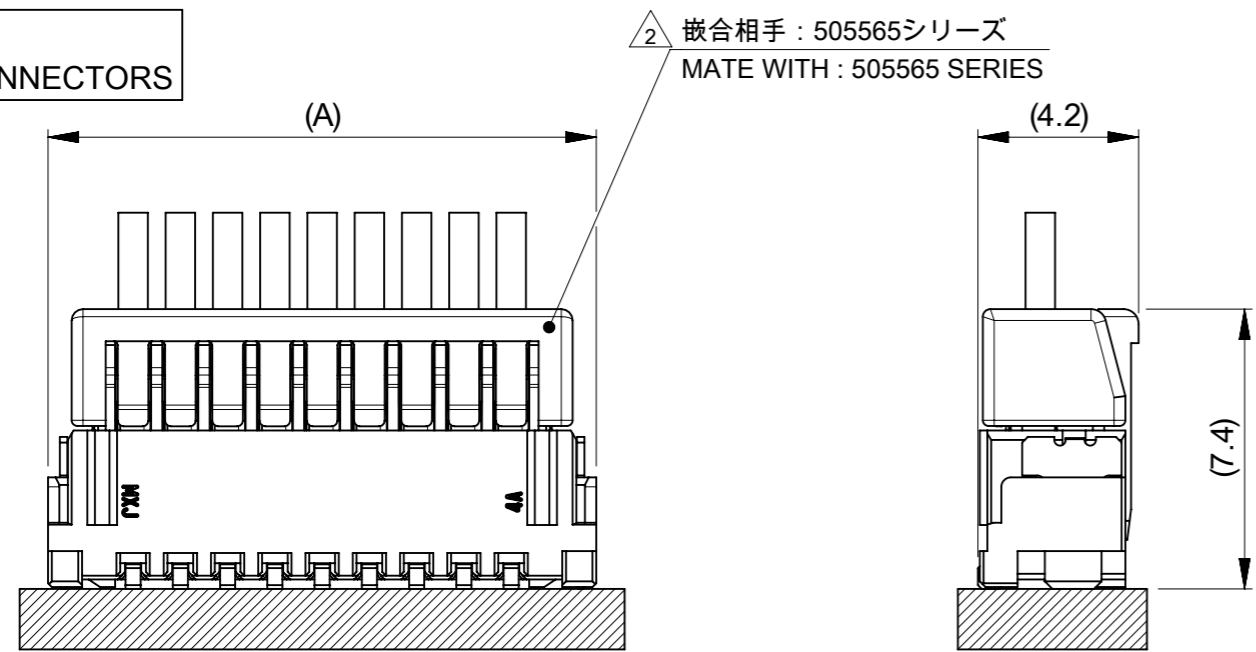
パターン非推奨エリア  
パターンを引き回す際は、製品機能に影響がないことをご確認ください。  
PATTERN IS NOT RECOMMENDED ON THE HATCHING AREA  
PLEASE CHECK NOT TO HAVE PROBLEM FOR PRODUCT FUNCTION  
WHEN SETTING PATTERN ON THE HATCHING AREA.

|   |  |                        |  |  |  |                 |  |                 |  |            |  |            |  |
|---|--|------------------------|--|--|--|-----------------|--|-----------------|--|------------|--|------------|--|
| THIS DRAWING CONTAINS INFORMATION THAT IS PROPRIETARY TO MOLEX ELECTRONIC TECHNOLOGIES, LLC AND SHOULD NOT BE USED WITHOUT WRITTEN PERMISSION |  |                        |  |  |  |                 |  |                 |  |            |  |            |  |
| DIMENSION UNITS   |  | SCALE                  |  | CURRENT REV DESC:  |  |                 |  |                 |  |            |  |            |  |
| mm  |  | NTS                    |  | <br>MICRO-LOCK PLUS 1.25 W/B<br>SINGLE ROW VERTICAL SMT PLUG ASSEMBLY<br>TIN-BISMUTH PLATING<br>PRODUCT CUSTOMER DRAWING |  |                 |  |                 |  |            |  |            |  |
| GENERAL TOLERANCES (UNLESS SPECIFIED)   |  |                        |  |  |  |                 |  |                 |  |            |  |            |  |
| ANGULAR TOL ± 3.0°  |  |                        |  |  |  |                 |  |                 |  |            |  |            |  |
| 4 PLACES ± 0.2  |  | EC NO: 736271          |  |  |  |                 |  |                 |  | 2022/12/27 |  | 2023/02/16 |  |
| 3 PLACES ± 0.2  |  | DRWN: SOKUMURA01       |  |  |  |                 |  |                 |  | 2023/02/16 |  | 2023/02/16 |  |
| 2 PLACES ± 0.2  |  | CHK'D: SAKIYAMA        |  |  |  |                 |  |                 |  | 2023/02/16 |  | 2023/02/16 |  |
| 1 PLACE ± 0.2   |  | APPR: AIDA             |  | INITIAL REVISION:  |  | DOCUMENT NUMBER |  | DOC TYPE        |  |            |  |            |  |
| 0 PLACES ± 0.2  |  | DRWN: RWATANABE01      |  | 2017/08/28   |  | 5055680000-SD   |  | PSD 000 D       |  |            |  |            |  |
| DRAFT WHERE APPLICABLE MUST REMAIN WITHIN DIMENSIONS  |  | THIRD ANGLE PROJECTION |  | DRAWING  |  | SERIES          |  | MATERIAL NUMBER |  |            |  |            |  |
|   |  |                        |  | A3-SIZE  |  | 505568          |  | CUSTOMER        |  |            |  |            |  |
|   |  |                        |  |  |  | SEE SHEET 5     |  | GENERAL         |  |            |  |            |  |
|   |  |                        |  |  |  |                 |  | SHEET NUMBER    |  |            |  |            |  |
|   |  |                        |  |  |  |                 |  | 2 OF 5          |  |            |  |            |  |

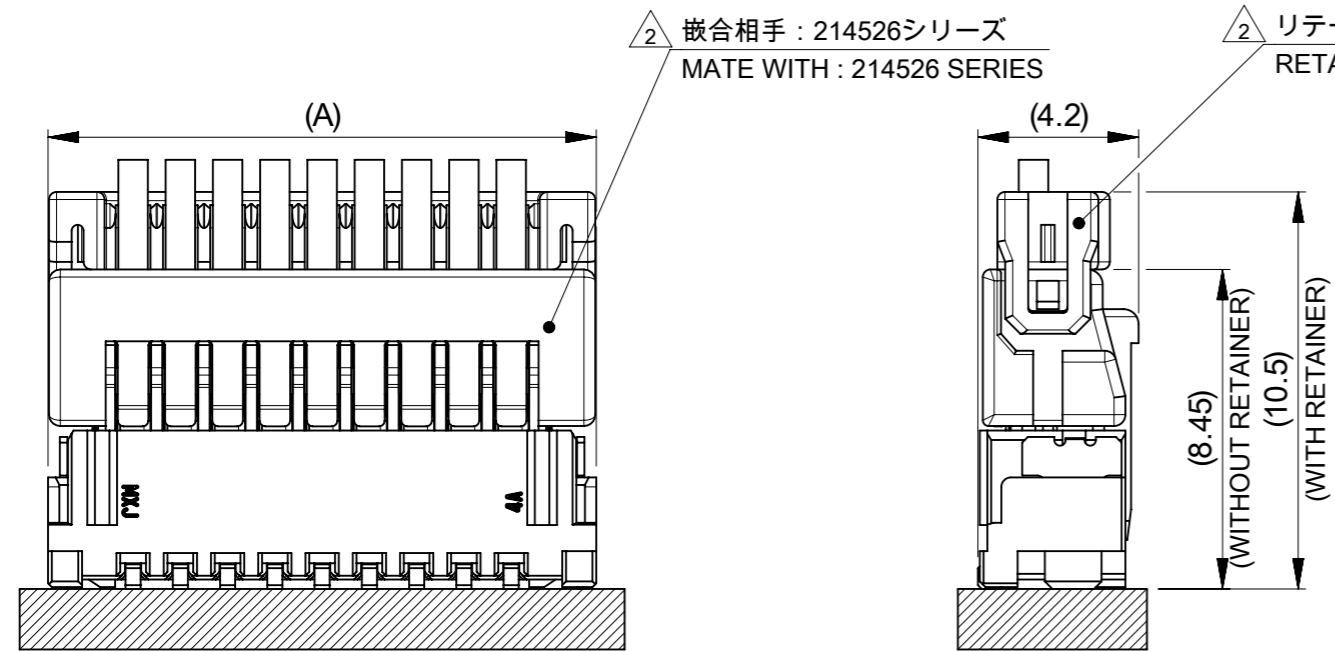
吸着エリア  
SUCTION AREA



嵌合状態図  
MATED CONNECTORS



2 嵌合相手 : 505565シリーズ  
MATE WITH : 505565 SERIES



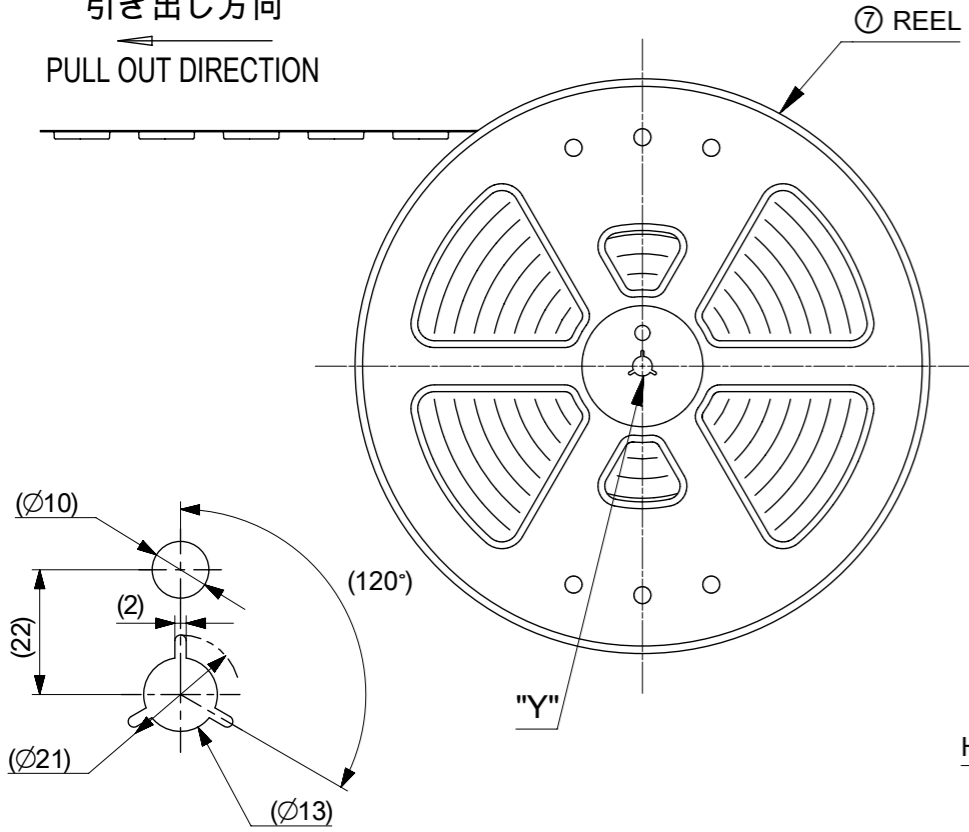
2 嵌合相手 : 214526シリーズ  
MATE WITH : 214526 SERIES

2 リテーナー : 214528シリーズ  
RETAINER : 214528 SERIES

|    |                    |
|----|--------------------|
| 12 | 16                 |
|    | 15                 |
|    | 14                 |
|    | 13                 |
|    | 12                 |
| 10 | 11                 |
|    | 10                 |
|    | 9                  |
| 8  | 8                  |
|    | 7                  |
|    | 6                  |
| 7  | 5                  |
|    | 4                  |
| 5  | 3                  |
|    | 2                  |
| D  | 極数<br>CIRCUIT SIZE |

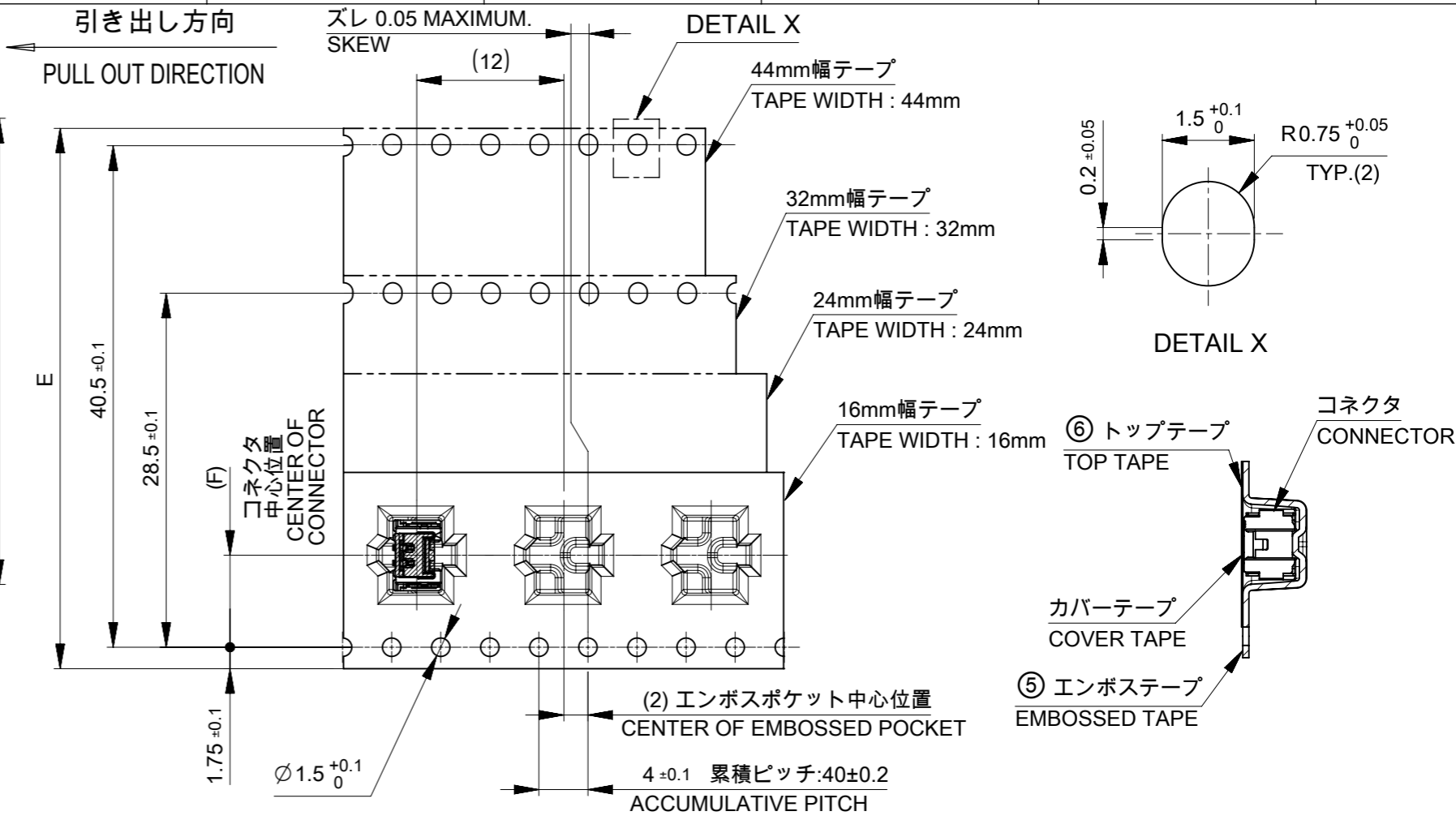
|   |         |                              |  |  |  |
|---|---------|------------------------------|--|--|--|
| THIS DRAWING CONTAINS INFORMATION THAT IS PROPRIETARY TO MOLEX ELECTRONIC TECHNOLOGIES, LLC AND SHOULD NOT BE USED WITHOUT WRITTEN PERMISSION |         | CURRENT REV DESC:            |  | <b>molex</b>   |  |
| DIMENSION UNITS   | SCALE   |                              |  |  |  |
| mm  | NTS     |                              |  | MICRO-LOCK PLUS 1.25 W/B<br>SINGLE ROW VERTICAL SMT PLUG ASSEMBLY<br>TIN-BISMUTH PLATING |  |
| GENERAL TOLERANCES<br>(UNLESS SPECIFIED)  |         |                              |  | PRODUCT CUSTOMER DRAWING   |  |
| ANGULAR TOL   | ± 3.0 ° |                              |  | DOCUMENT NUMBER  |  |
| 4 PLACES  | ± 0.2   | EC NO: 736271                |  | 5055680000-SD  |  |
| 3 PLACES  | ± 0.2   | DRWN: SOKUMURA01 2022/12/27  |  | DOC TYPE   |  |
| 2 PLACES  | ± 0.2   | CHK'D: SAKIYAMA 2023/02/16   |  | PSD  |  |
| 1 PLACE   | ± 0.2   | APPR: AIDA 2023/02/16        |  | DOC PART   |  |
| 0 PLACES  | ± 0.2   | INITIAL REVISION:            |  | 000  |  |
| DRAFT WHERE APPLICABLE<br>MUST REMAIN<br>WITHIN DIMENSIONS  |         | DRWN: RWATANABE01 2017/08/28 |  | D  |  |
| THIRD ANGLE PROJECTION  |         | APPR: TKANEKO 2017/09/26     |  | REVISION   |  |
| DRAWING   |         | SERIES                       |  | SHEET NUMBER   |  |
| A3-SIZE   |         | 505568                       |  | 3 OF 5   |  |
| MATERIAL NUMBER   |         | CUSTOMER                     |  |  |  |
| SEE SHEET 5   |         | GENERAL                      |  |  |  |

引き出し方向  
PULL OUT DIRECTION



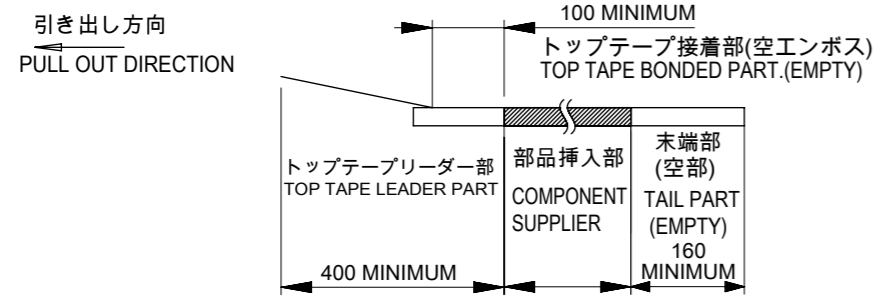
DETAIL "Y"

引き出し方向  
PULL OUT DIRECTION



注記 NOTE

- 6. 梱包数量 : 1200個 / リール  
NUMBER OF CONNECTORS : 1200 PCS/REEL.
- 7. リードテープ長さ  
LEAD TAPE LENGTH.



- 8. トップテープの剥離強度はIEC60286-3に準拠  
TOP TAPE PEELING FORCE IS DEFINED BY IEC60286-3

|      |      |      |                                      |                    |
|------|------|------|--------------------------------------|--------------------|
| 49.4 | 45.4 | 20.2 | 44±0.3                               | 16                 |
|      |      |      |                                      | 15                 |
|      |      |      |                                      | 14                 |
|      |      |      |                                      | 13                 |
| 37.4 | 33.4 | 14.2 | 32±0.3                               | 12                 |
|      |      |      |                                      | 11                 |
|      |      |      |                                      | 10                 |
|      |      |      |                                      | 9                  |
|      |      |      |                                      | 8                  |
| 29.4 | 25.4 | 11.5 | 24 <sup>+0.3</sup> / <sub>-0.1</sub> | 7                  |
|      |      |      |                                      | 6                  |
|      |      |      |                                      | 5                  |
|      |      |      |                                      | 4                  |
| 21.4 | 17.4 | 7.5  | 16 <sup>+0.3</sup> / <sub>-0.1</sub> | 3                  |
|      |      |      |                                      | 2                  |
| H    | G    | F    | E                                    | 極数<br>CIRCUIT SIZE |

TABLE 2

| 番号<br>NO. | 部品<br>PART                | 材質<br>MATERIAL  |
|-----------|---------------------------|---|
| ⑤         | エンボステープ<br>EMBOSSSED TAPE | ポリスチレン(PS)<br>POLYSTYRENE(PS)   |
| ⑥         | トップテープ<br>TOP TAPE        | ポリエチレン(PE), その他<br>POLYETHYLENE(PE), ETC                                |
| ⑦         | リール<br>REEL               | ポリスチレン(PS) <リサイクル材を含む><br>POLYSTYRENE(PS) <RECYCLE MATERIAL CONTAINED > |

THIS DRAWING CONTAINS INFORMATION THAT IS PROPRIETARY TO MOLEX ELECTRONIC TECHNOLOGIES, LLC AND SHOULD NOT BE USED WITHOUT WRITTEN PERMISSION

DIMENSION UNITS: mm SCALE: NTS

CURRENT REV DESC:

**molex**

MICRO-LOCK PLUS 1.25 W/B  
SINGLE ROW VERTICAL SMT PLUG ASSEMBLY  
TIN-BISMUTH PLATING

PRODUCT CUSTOMER DRAWING

EC NO: 736271  
DRWN: SOKUMURA01 2022/12/27  
CHK'D: SAKIYAMA 2023/02/16  
APPR: AIDA 2023/02/16

INITIAL REVISION:  
DRWN: RWATANABE01 2017/08/28  
APPR: TKANEKO 2017/09/26

DOCUMENT NUMBER: 5055680000-SD  
DOC TYPE: PSD  
DOC PART: 000  
REVISION: D

DRAFT WHERE APPLICABLE MUST REMAIN WITHIN DIMENSIONS

THIRD ANGLE PROJECTION

DRAWING: A3-SIZE  
SERIES: 505568  
MATERIAL NUMBER: SEE SHEET 5  
CUSTOMER: GENERAL  
SHEET NUMBER: 4 OF 5

△ 2 適合製品及び各種仕様書 APPLICABLE PRODUCTS AND VARIOUS SPECIFICATIONS

|  |                                |                      |  |
|--|--------------------------------|----------------------|--|
| 梱包仕様書<br>PACKAGING SPECIFICATION                   |                                | 5055689200 PS 200    |  |
| 適合嵌合相手<br>MATE WITH                                | シリーズ番号<br>SERIES NUMBER        | 505565               | 214526   |
|  | リテーナー対応<br>RETAINER APPLICABLE | NOT COMPLIANT        | COMPLIANT<br>(NATURAL, BLACK, RED, YELLOW, BLUE) |
| 適合リテーナーシリーズ番号<br>APPLICABLE RETAINER SERIES NUMBER |                                | -                    | 214528   |
| 製品仕様書<br>PRODUCT SPECIFICATION                     |                                | 5055650000 PS 000    | 2145260000-PS PS 000                             |
| コネクタ取扱説明書<br>APPLICATION SPECIFICATION             |                                | 5055650000-AS PS 000 |  |

△ 5 505568\*\*7\* 発注番号一覧 ORDER NUMBER LIST

| ORANGE   | GREEN      | BLUE       | YELLOW     | RED        | BLACK      | NATURAL<br>(BEIGE) | HOUSING<br>COLOR   |
|--|------------|------------|------------|------------|------------|--------------------|--------------------|
| 5055681678   | 5055681676 | 5055681674 | 5055681673 | 5055681672 | 5055681671 | 5055681670         | 16                 |
| 5055681578   | 5055681576 | 5055681574 | 5055681573 | 5055681572 | 5055681571 | 5055681570         | 15                 |
| 5055681478   | 5055681476 | 5055681474 | 5055681473 | 5055681472 | 5055681471 | 5055681470         | 14                 |
| 5055681378   | 5055681376 | 5055681374 | 5055681373 | 5055681372 | 5055681371 | 5055681370         | 13                 |
| 5055681278   | 5055681276 | 5055681274 | 5055681273 | 5055681272 | 5055681271 | 5055681270         | 12                 |
| 5055681178   | 5055681176 | 5055681174 | 5055681173 | 5055681172 | 5055681171 | 5055681170         | 11                 |
| 5055681078   | 5055681076 | 5055681074 | 5055681073 | 5055681072 | 5055681071 | 5055681070         | 10                 |
| 5055680978   | 5055680976 | 5055680974 | 5055680973 | 5055680972 | 5055680971 | 5055680970         | 9                  |
| 5055680878   | 5055680876 | 5055680874 | 5055680873 | 5055680872 | 5055680871 | 5055680870         | 8                  |
| 5055680778   | 5055680776 | 5055680774 | 5055680773 | 5055680772 | 5055680771 | 5055680770         | 7                  |
| 5055680678   | 5055680676 | 5055680674 | 5055680673 | 5055680672 | 5055680671 | 5055680670         | 6                  |
| 5055680578   | 5055680576 | 5055680574 | 5055680573 | 5055680572 | 5055680571 | 5055680570         | 5                  |
| 5055680478   | 5055680476 | 5055680474 | 5055680473 | 5055680472 | 5055680471 | 5055680470         | 4                  |
| 5055680378   | 5055680376 | 5055680374 | 5055680373 | 5055680372 | 5055680371 | 5055680370         | 3                  |
| 5055680278   | 5055680276 | 5055680274 | 5055680273 | 5055680272 | 5055680271 | 5055680270         | 2                  |
| 発注番号 : ORDER NUMBER                                  |            |            |            |            |            |                    | 極数<br>CIRCUIT SIZE |
| エンボステープ梱包<br>PACKAGING STYLE: EMBOSSED TAPE AND REEL |            |            |            |            |            |                    |                    |

|   |         |                             |         |  |                 |              |
|---|---------|-----------------------------|---------|--|-----------------|--------------|
| THIS DRAWING CONTAINS INFORMATION THAT IS PROPRIETARY TO MOLEX ELECTRONIC TECHNOLOGIES, LLC AND SHOULD NOT BE USED WITHOUT WRITTEN PERMISSION |         | CURRENT REV DESC:           |         | <b>molex</b>   |                 |              |
| DIMENSION UNITS   | SCALE   |                             |         |  |                 |              |
| mm  | NTS     |                             |         | MICRO-LOCK PLUS 1.25 W/B<br>SINGLE ROW VERTICAL SMT PLUG ASSEMBLY<br>TIN-BISMUTH PLATING |                 |              |
| GENERAL TOLERANCES<br>(UNLESS SPECIFIED)  |         |                             |         | PRODUCT CUSTOMER DRAWING   |                 |              |
| ANGULAR TOL   | ± 3.0 ° |                             |         | DOCUMENT NUMBER  |                 |              |
| 4 PLACES  | ± 0.2   | EC NO: 736271               |         | 5055680000-SD  |                 |              |
| 3 PLACES  | ± 0.2   | DRWN: SOKUMURA01 2022/12/27 |         | DOC TYPE   |                 |              |
| 2 PLACES  | ± 0.2   | CHK'D: SAKIYAMA 2023/02/16  |         | DOC PART   |                 |              |
| 1 PLACE   | ± 0.2   | APPR: AIDA 2023/02/16       |         | REVISION   |                 |              |
| 0 PLACES  | ± 0.2   | INITIAL REVISION:           |         | D  |                 |              |
| DRAFT WHERE APPLICABLE<br>MUST REMAIN<br>WITHIN DIMENSIONS  |         | THIRD ANGLE PROJECTION      | DRAWING | SERIES   | MATERIAL NUMBER | CUSTOMER     |
|   |         |                             | A3-SIZE | 505568   | SEE SHEET 5     | GENERAL      |
|   |         |                             |         |  |                 | SHEET NUMBER |
|   |         |                             |         |  |                 | 5 OF 5       |