

# Type BLC-07B Fuse Block MGGA Fuse Link Fuses

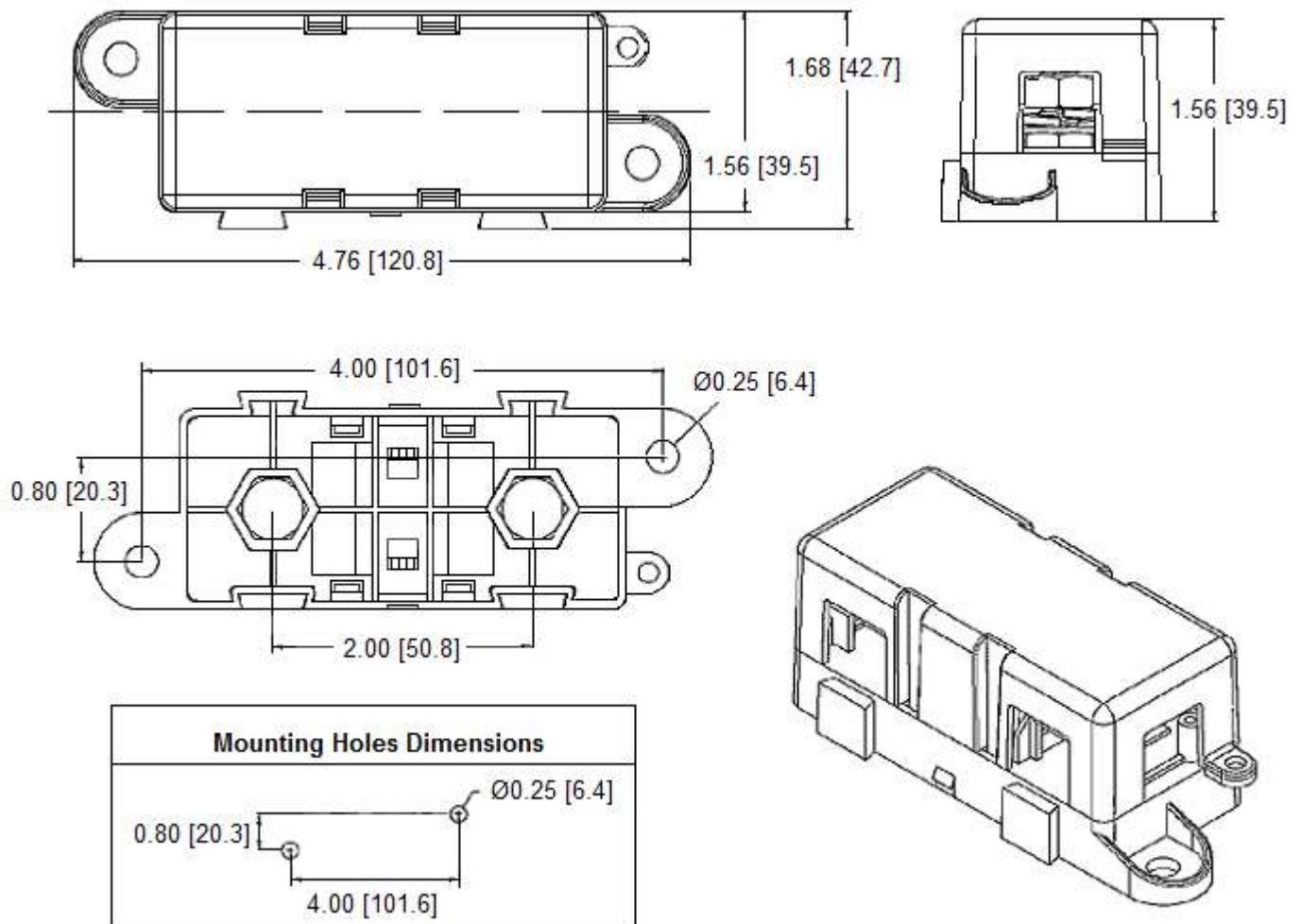


www.optifuse.com (619) 593-5050

## Specifications:

- Voltage Rating:** 32VDC
- Max Current Rating:** 500A
- Fuse Type:** MGGA Fuse Link Fuses
- Base:** PBT - Black
- Cover:** Nylon-66
- Screws:** Nickel plated Steel studs – M8\*1.25P
- Torque Rating:** 20in-lb (2.25Nm) max.

## Mechanical Dimensions: Inches [mm]



	<p><b>Warning:</b> -Operation beyond the specified maximum ratings or improper use may result in damage and possible electrical arcing and/or flame.</p>
	<p>-Avoid contact of device with chemical solvent. Prolonged contact may damage the device performance.</p>