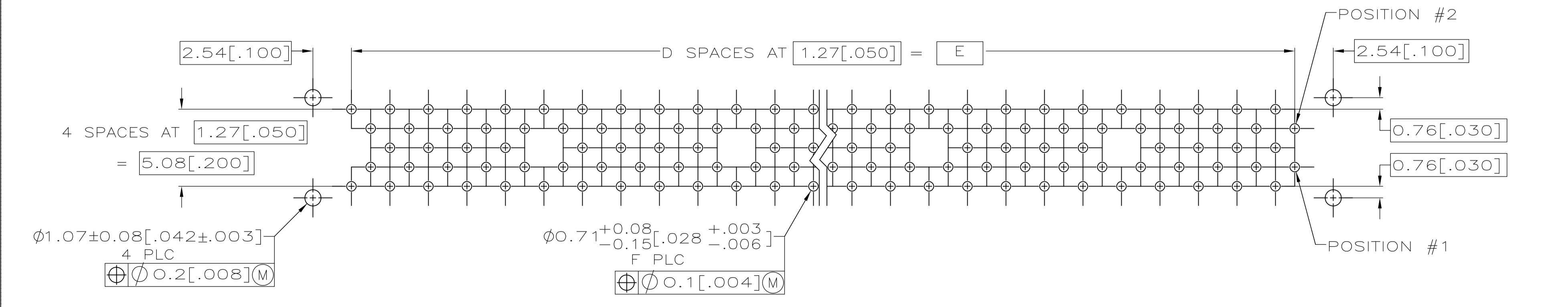
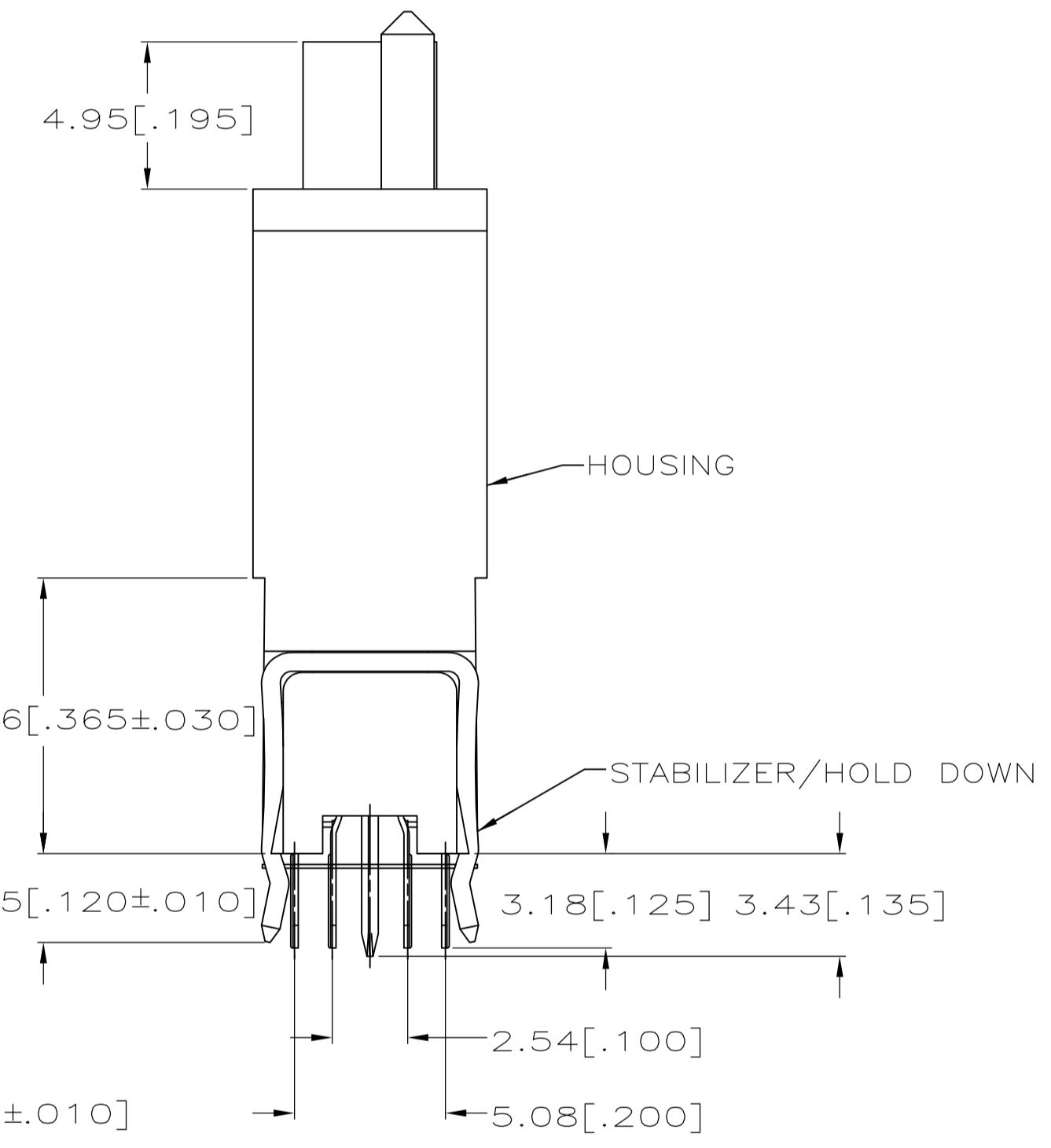
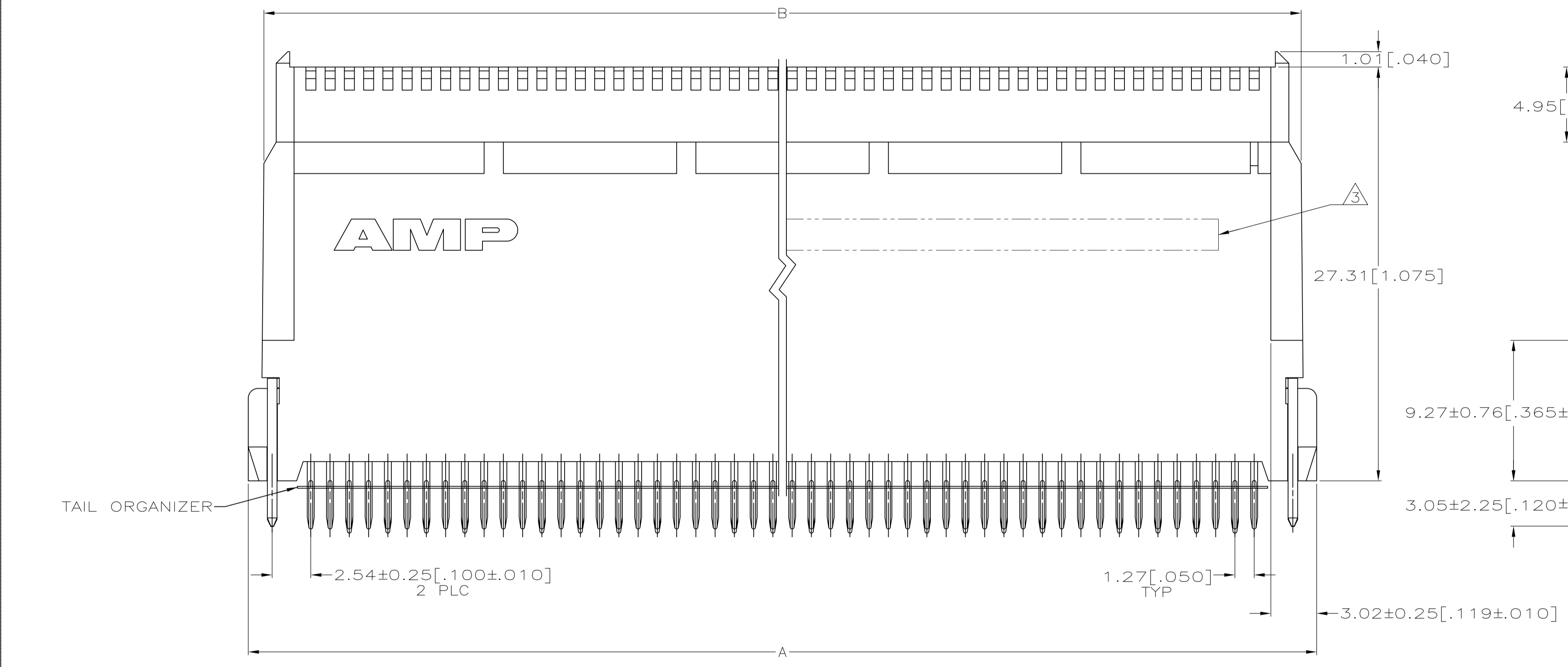


△ HOUSING: HIGH TEMPERATURE THERMOPLASTIC, COLOR NATURAL.
 RECEPTACLE CONTACTS: PHOSPHOR BRONZE.
 GROUND BUSES: BERYLLIUM COPPER.
 STABILIZER: PHOSPHOR BRONZE.
 TAIL ORGANIZER: POLYESTER FILM TAPE.

△ CONTACTS & GROUND BUSES: 0.00076(.000030) MIN. GOLD PER ASTM B 488 ON CONTACT AREA, 0.00254-0.00762(.000100-.000300) MATTE TIN PER ASTM B 545 ON SOLDER TAIL, ALL OVER
 0.00127-0.00254(.000050-.000100) MATTE NICKEL PER SAE AMS-QQ-N-290 ON ENTIRE CONTACT.

△ AMP PART NUMBER AND DATE CODE MARKED IN AREA INDICATED.



RECOMMENDED PC BOARD HOLE LAYOUT
 1.57[.062] THICK PCB
 (VIEWED FROM CONNECTOR SIDE)

144	74.93[2.950]	59	5149032-2
120	62.23[2.490]	49	5149032-1
F	E	D	PART NUMBER

78.14[3.037]	81.13[3.194]	83.18[3.275]	120	5149032-2
64.44[2.537]	68.43[2.694]	70.48[2.775]	100	5149032-1
C	B	A	NO OF POS	PART NUMBER

THIS DRAWING IS A CONTROLLED DOCUMENT.

DIMENSIONS:	TOLERANCES UNLESS OTHERWISE SPECIFIED:	DIN A FERNANDEZ 01-20-05	APVD D DIXON 01-20-05	NAME D DIXON 01-20-05	RECEPTACLE ASSEMBLY, HI-CONN.
0 PLC ± -	1 PLC ± -	2 PLC ± -	3 PLC ± 0.13[.005]	4 PLC ± -	ANGLES ± -
MATERIAL	FINISH	WEIGHT	SCALE	SHEET	REV
△	△	-	A1	00779	C=5149032
CUSTOMER DRAWING			SCALE: 5:1	SHEET: 1	REV: A

OBsolete NOT the LATEST REVISION