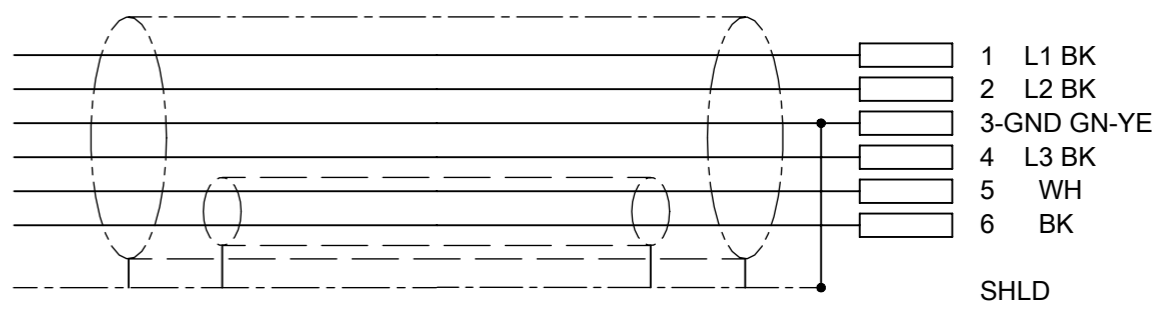


CABLE PRINT - according to WN-00017  
(Molex "Material-No" Mxxyww)

Wiring Diagram  
Connection: IN-LINE

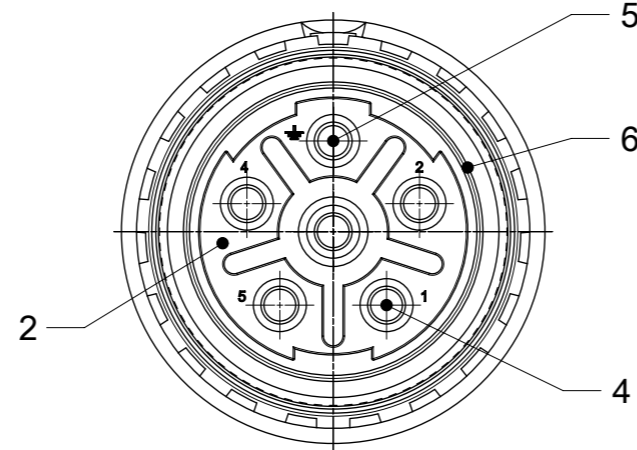


**Technical Data:**

Number of positions	5 + PE
Number of contacts	6
Contact Ø [mm]	2
Nominal current [A]	18
Nominal voltage [V~]	600
Degree of pollution 3	3
Test voltage [V~]	3000
Max. contact resistance [mΩ]	3
Insulation resistance [MΩ]	> 10 <sup>13</sup>
Protection	IP 67 (connected)
Temperature range (fixed)	-40°C to 90°C
Temperature range (flex)	-25°C to 80°C

**Packaging:**  
The cordsets delivered packed into carton without PE-bag.

Connector pin assignment  
Plug M23 5+PE FE



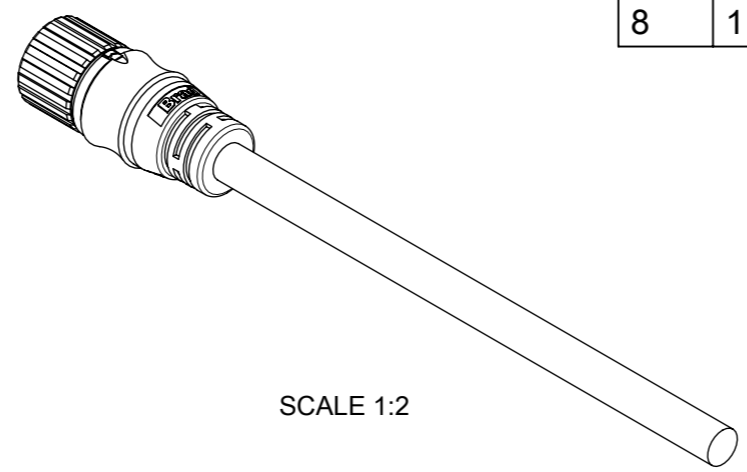
SCALE 2:1

TABLE 2

POS	QTY	DESCRIPTION	MATERIAL	FINISH
1	1	NUT M23 FE	BRASS	NICKEL PLATED
2	1	INSERT M23 FE	PA	BLACK
3	1	SHELL M23 FE	BRASS	NICKEL PLATED
4	5	CONTACT 20 FE	COPPER ALLOY	GOLD OVER NICKEL
5	1	GROUNDING 20 FE	COOPER ALLOY	GOLD OVER NICKEL
6	1	GASKET OR	NBR	BLACK
7	1	OVERMOLD	TPU	BLACK
8	1	CABLE	WSOR	ORANGE

TABLE 1

MOLEX P/N	ENGINEERING No.	L [mm]	Tol.[mm]
1204800800	K0P6S00W01M005	500	+40
1204800524	K0P6S00W01M010	1000	+40
1204800525	K0P6S00W01M020	2000	+60
1204800526	K0P6S00W01M030	3000	+60
1204800527	K0P6S00W01M040	4000	+60
1204800528	K0P6S00W01M050	5000	+60
1204800529	K0P6S00W01M100	10000	+80
1204800530	K0P6S00W01M150	15000	+140
1204800531	K0P6S00W01M200	20000	+140



SCALE 1:2

FUNCTIONAL SYMBOLS ▽A = 0 ▽E = 0 ▽F = 0	THIS DRAWING CONTAINS INFORMATION THAT IS PROPRIETARY TO MOLEX ELECTRONIC TECHNOLOGIES, LLC AND SHOULD NOT BE USED WITHOUT WRITTEN PERMISSION	CURRENT REV DESC:		<b>molex</b>
	DIMENSION UNITS: mm	SCALE: 1:1	EC NO: 720467	
DIVISIONAL SYMBOLS	GENERAL TOLERANCES (UNLESS SPECIFIED)	4 PLACES ±	2022/09/07	PRODUCT CUSTOMER DRAWING
	ANGULAR TOL ± 1.0°	3 PLACES ± 0.0	2022/09/08	
	2 PLACES ± 0.05	2 PLACES ± 0.05	2022/09/08	DOCUMENT NUMBER
	1 PLACE ± 0.3	INITIAL REVISION:		1204800800
	0 PLACES ± 0.5	DRWN: FGAIK	2015/12/01	DOC TYPE
	DRAFT WHERE APPLICABLE MUST REMAIN WITHIN DIMENSIONS	APPR: RSILLER	2016/01/28	DOC PART
	THIRD ANGLE PROJECTION	DRWING	SERIES	REVISION
		A3-SIZE	120480	000
				B
				SHEET NUMBER
				1 OF 1