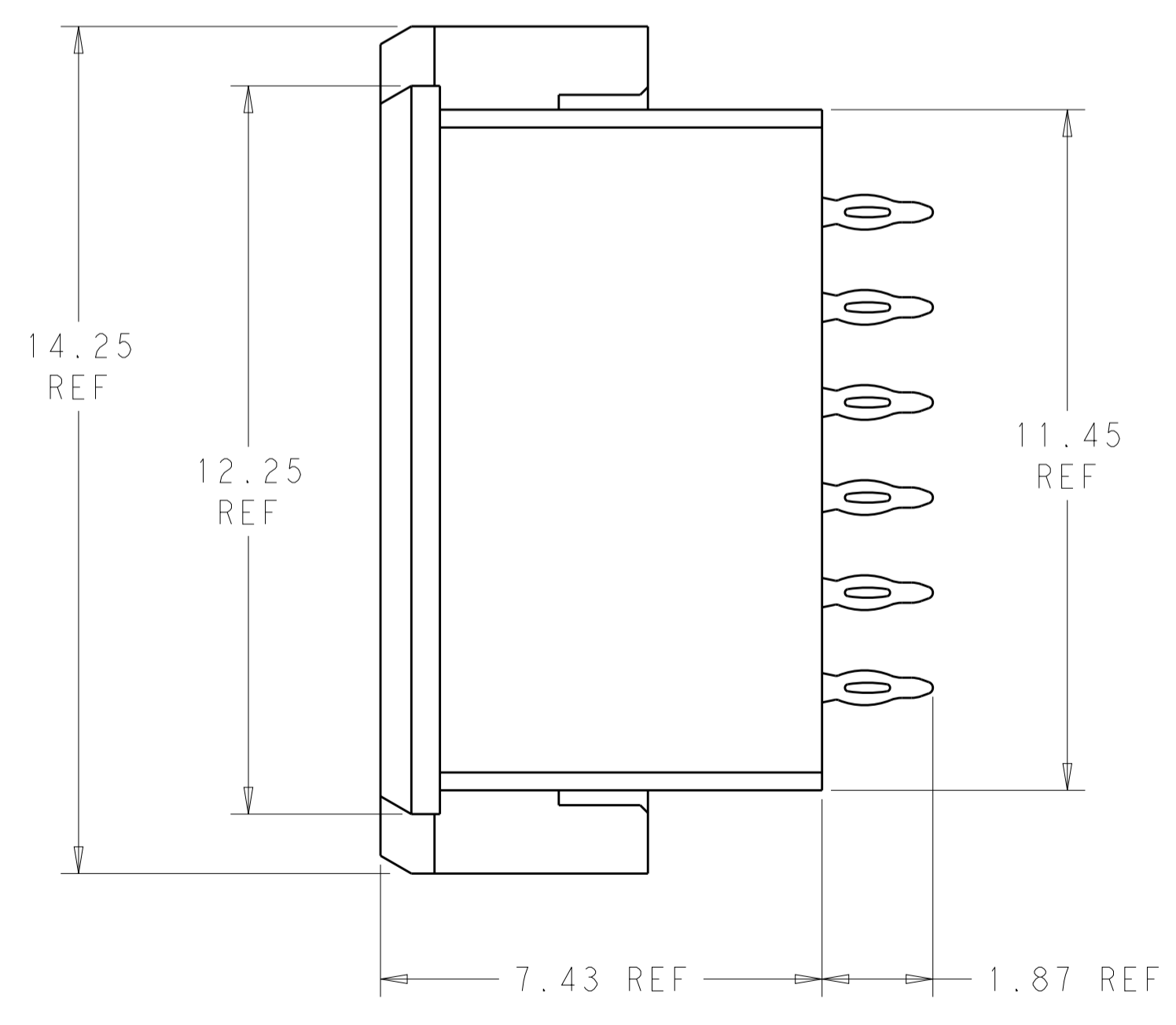
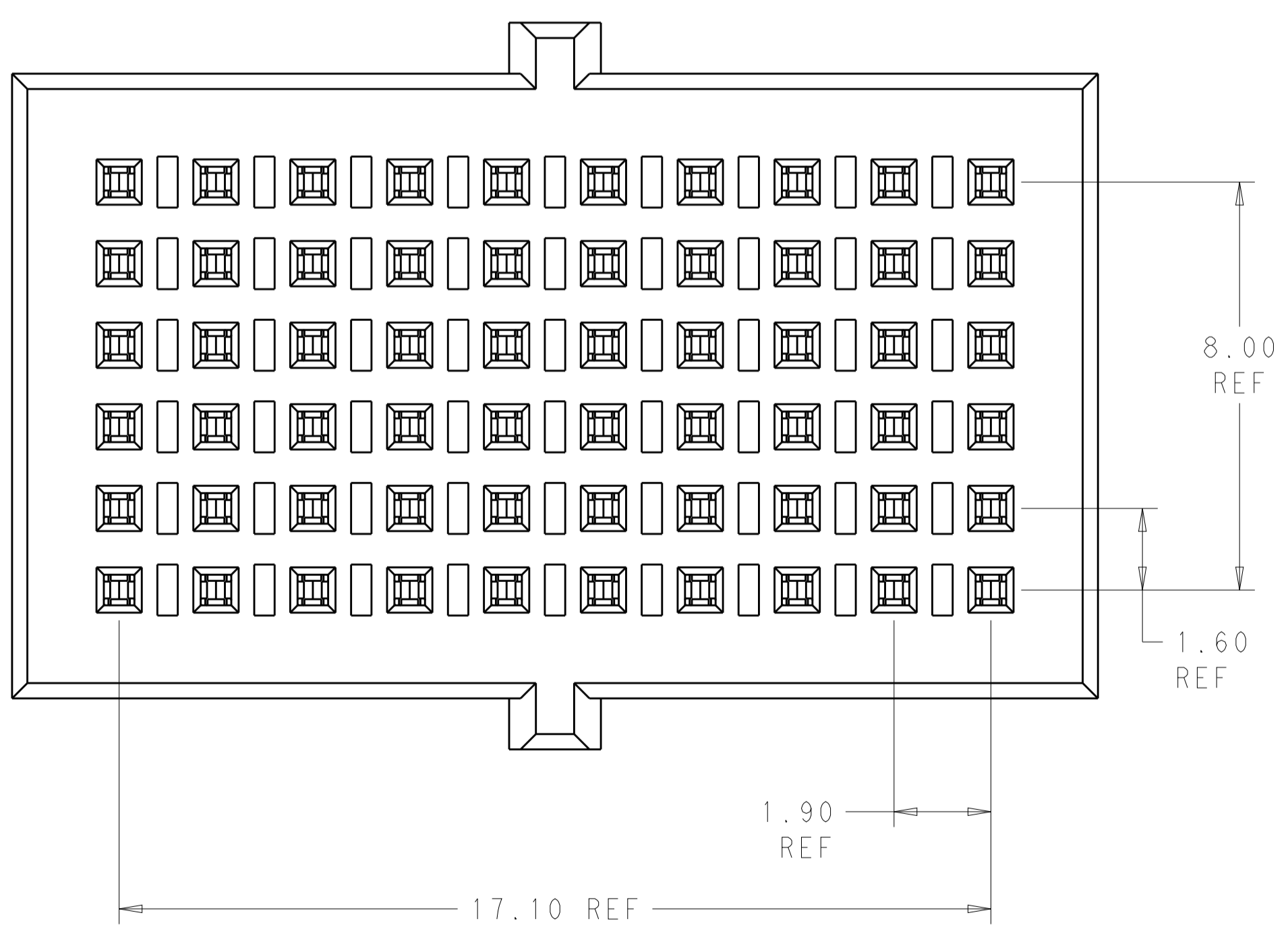
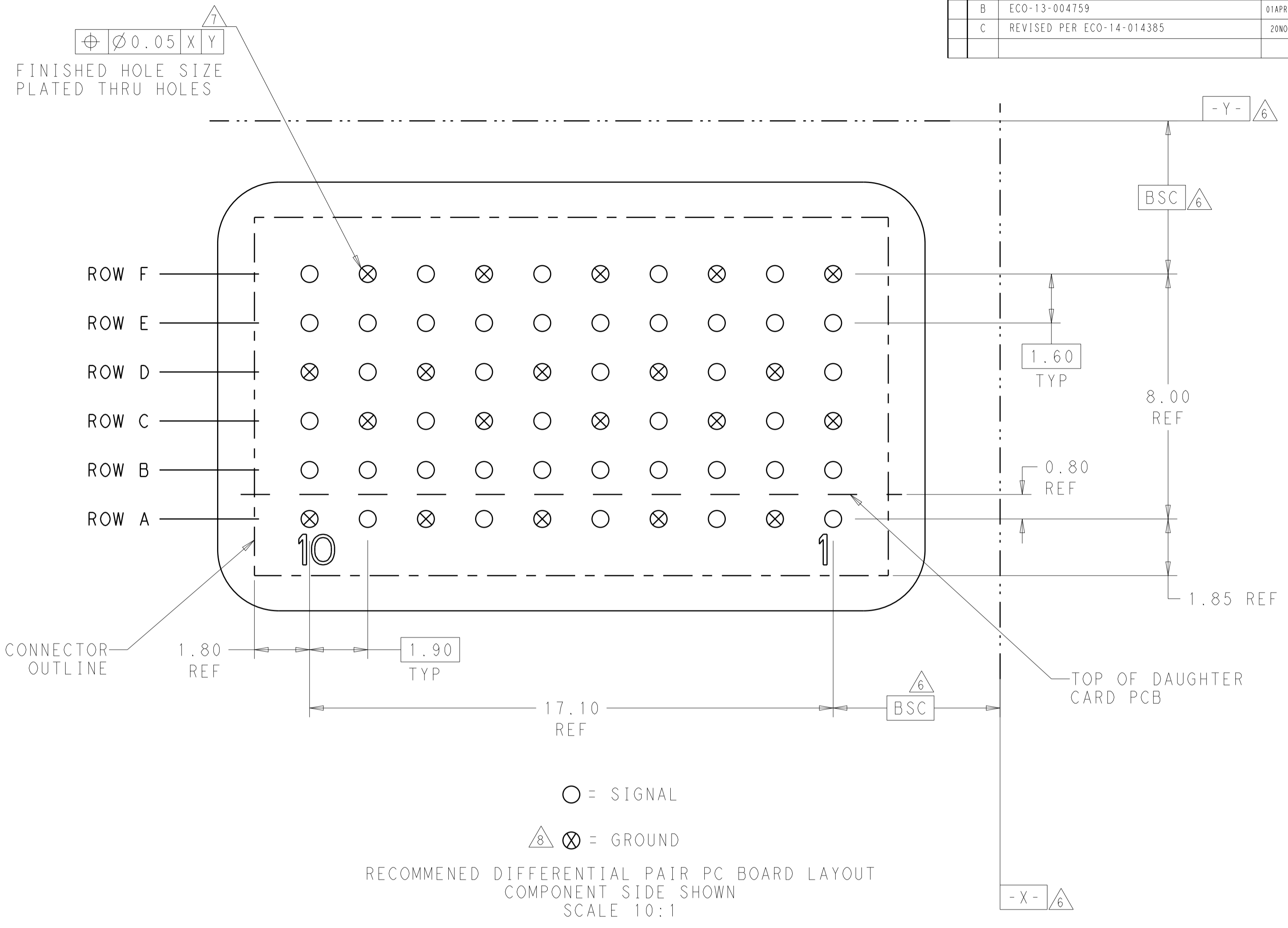
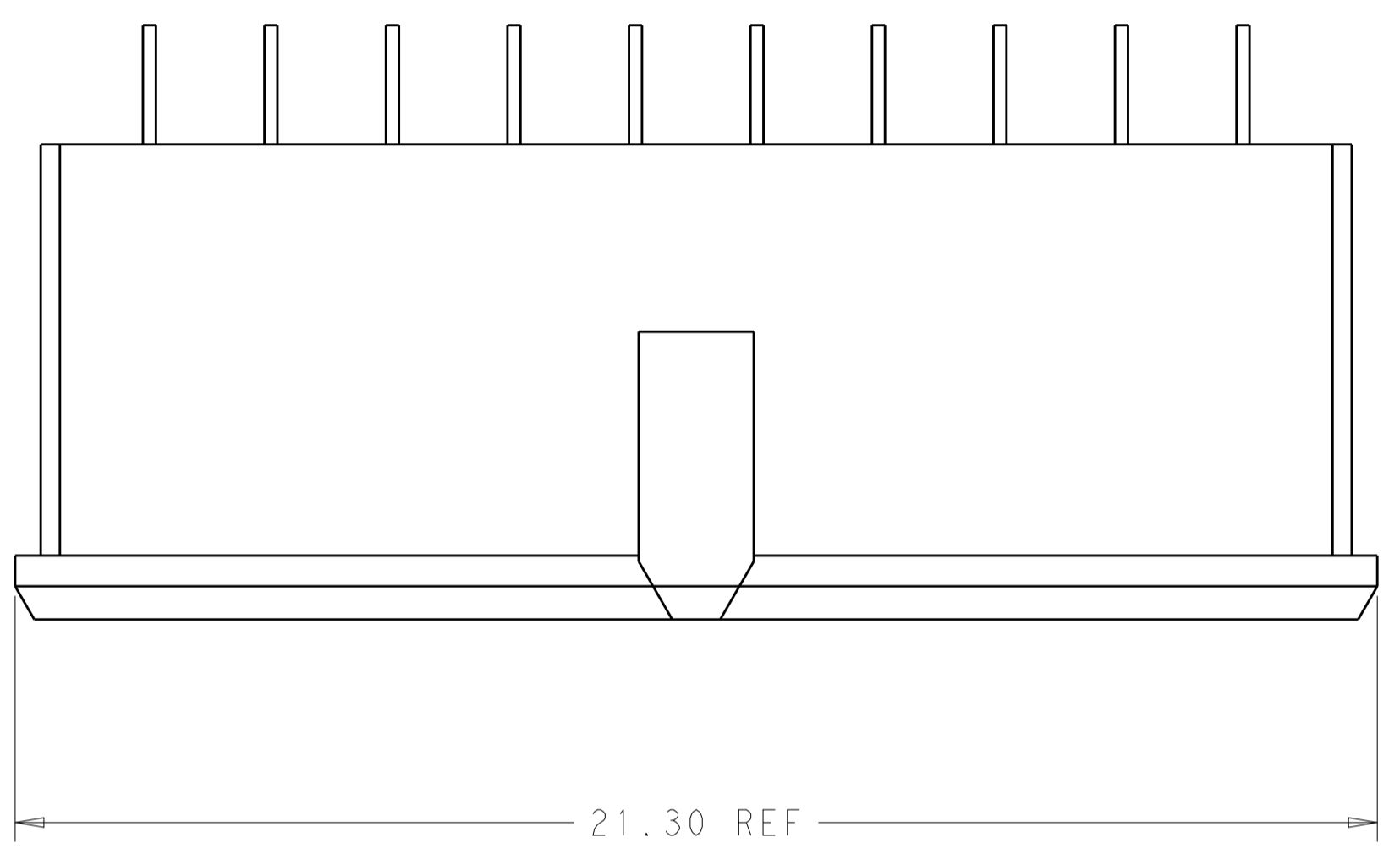


LOC	DIST	REV	DATE	BY	CHK	APPV
-	-	A	11OCT2012	MGM	-	CT
-	-	B	01APR2013	KG	-	DH
-	-	C	20NOV14	MGM	-	CT



- 1 MATERIAL:
CONTACT - COPPER ALLOY
HOUSING - LCP, COLOR - BLACK
- 2 FINISH:
MATING AREA: 1.27µm MIN GOLD OVER
1.25µm MIN NICKEL
- 3 FINISH:
COMPLIANT PIN AREA: 0.38µm MIN BRIGHT TIN LEAD
OVER 1.27µm MIN NICKEL
- 4 FINISH:
COMPLIANT PIN AREA: 0.38µm MIN MATTE TIN
OVER 1.27µm MIN NICKEL
- 5 --
- 6 DATUMS AND BASIC DIMENSIONS ESTABLISHED BY CUSTOMER.
- 7 REFERENCE APPLICATION SPEC 114-13267 FOR RECOMMENDED
PLATING THRU HOLE DIAMETER AND PLATING THICKNESS.
- 8 RECOMMENDED DIFFERENTIAL PAIR CONFIGURATION SHOWN.
THE CONNECTOR UTILIZES AN OPEN PIN FIELD AND
CAN BE LAID OUT IN A SINGLE-ENDED CONFIGURATION.

2, 4	2102094-2
2, 3	2102094-1
FINISH	PART NUMBER

THIS DRAWING IS A CONTROLLED DOCUMENT. DIMENSIONING AND TOLERANCING PER GPS (ISO STANDARDS).		DWN: D. BELACK CHK: A. TSANG APPV: M. McALONIS	ZANOV2010	TE Connectivity	
DIMENSIONS: mm		TOLERANCES UNLESS OTHERWISE SPECIFIED:	0 PLC ±0.13 2 PLC ±0.05 3 PLC ±0.05 4 PLC ±0.05 ANGLES ±2°	NAME: Fortis Zd, 2-PAIR, 10-COLUMN, VERTICAL, FULL SHROUD ASSEMBLY	
MATERIAL: 1		FINISH: -	114-13267	SIZE: A100779	CAGE CODE: C=2102094
CUSTOMER DRAWING		WEIGHT: ~2.73g	RESTRICTED TO: -	SCALE: 10:1	SHEET 1 OF 1 REV C