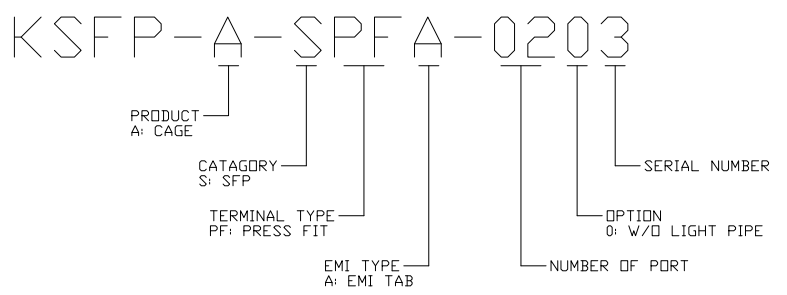
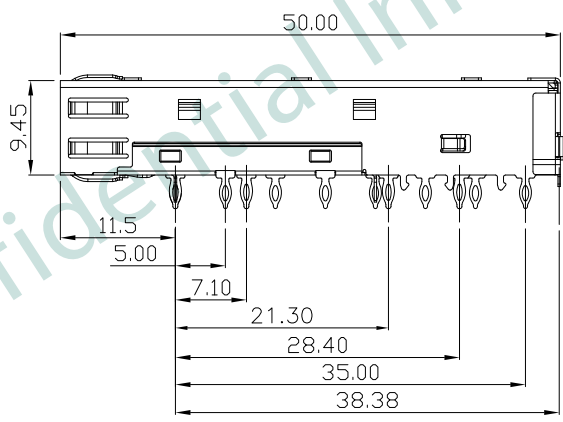
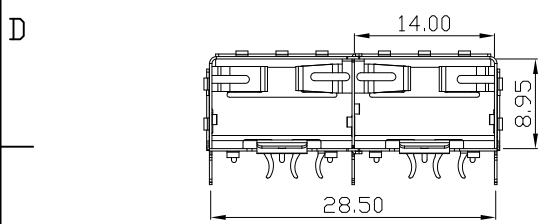
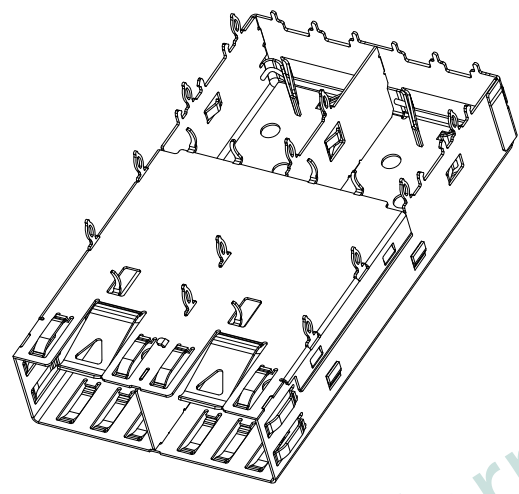
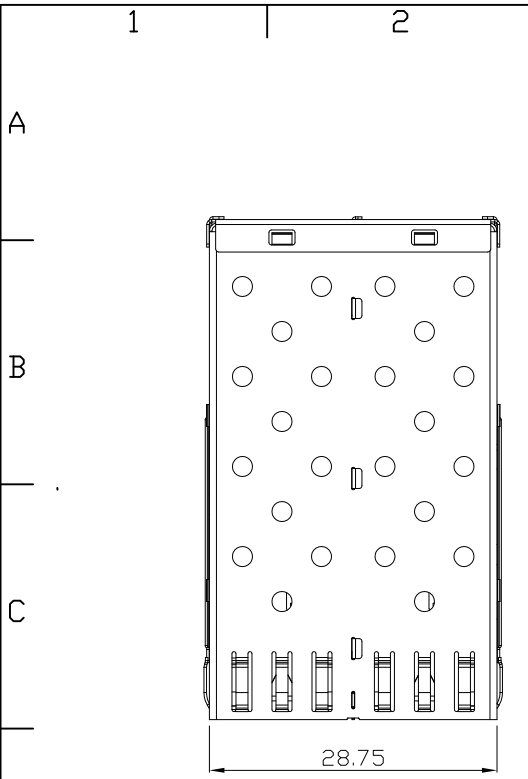


REV.	DATE	DESCRIPTION
01	Jul. 05, '18	1st RELEASE

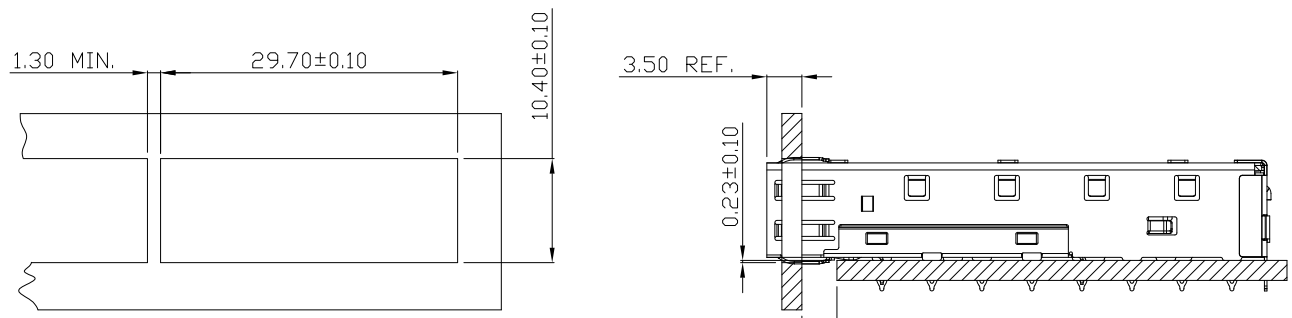
- NOTES:
- MATERIALS: T=0.25mm, COPPER ALLOY
 - UNSPECIFIED TOLERANCE: .XX ±0.25



PART NO		KSFP-A-SPFA-0203		
TITLE	SFP CAGE 1X2 PORT, PRESS FIT TYPE			
REV : 01				
UNIT	DRAWN	CHKD	DATE	SHEET
mm[inch]	CINDY	VINCENT	Jul. 05, '18	1 of 2

1 2 3 4 5 6 7 8

A

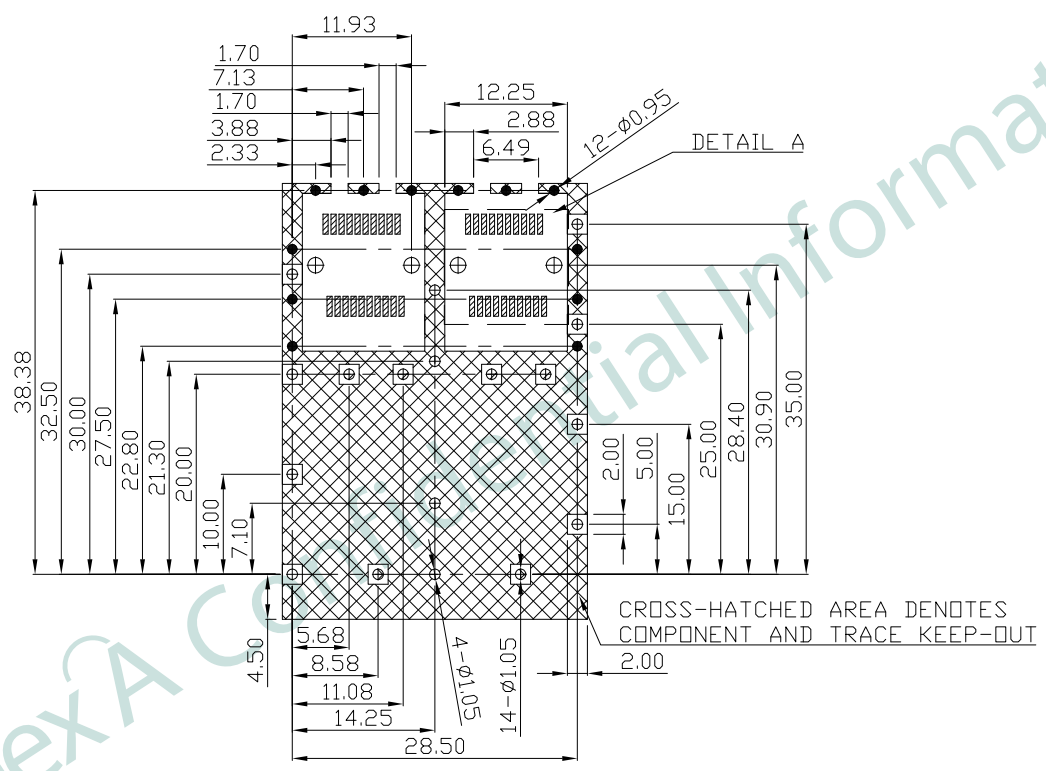


BEZEL

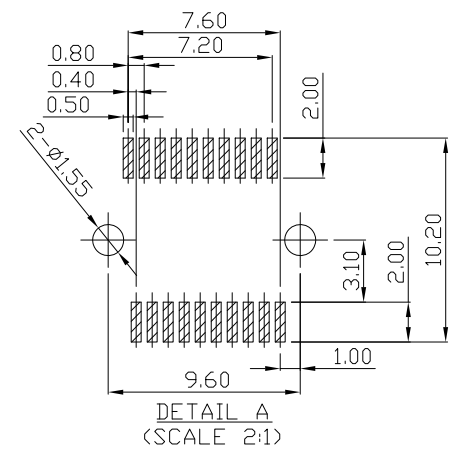
BEZEL OPENING BELOW TOP OF PCB

B

C



DETAIL A



DETAIL A (SCALE 2:1)

EDGE OF BOARD
RECOMMENDED PCB LAYOUT (COMPONENT SIDE)
PCB TOLERANCE: ±0.05
□ ● ● THROUGH HOLE

PART NO		KSFP-A-SPFA-0203		
TITLE	SFP CAGE 1X2 PORT, PRESS FIT TYPE			
REV : 01				
UNIT	DRAWN	CHKD	DATE	SHEET
mm[inch]	CINDY	VINCENT	Jul. 05, '18	2 of 2