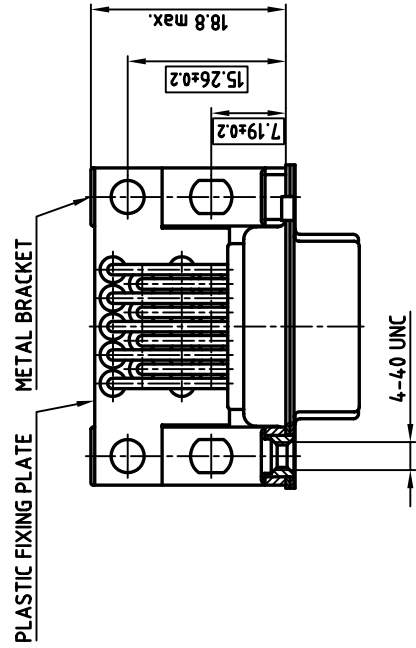
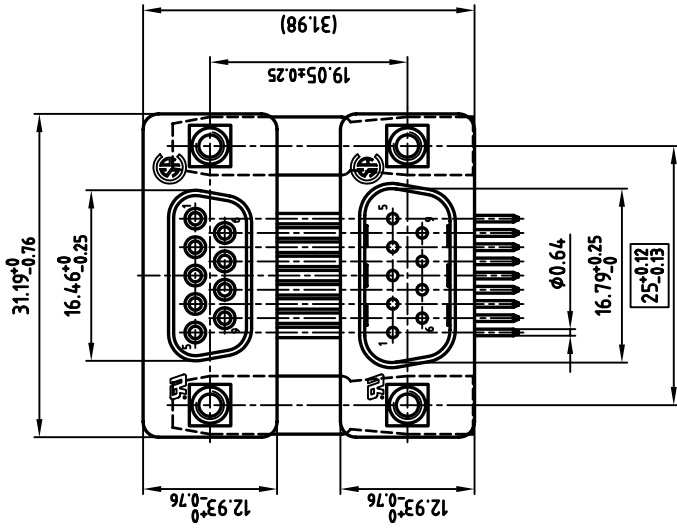
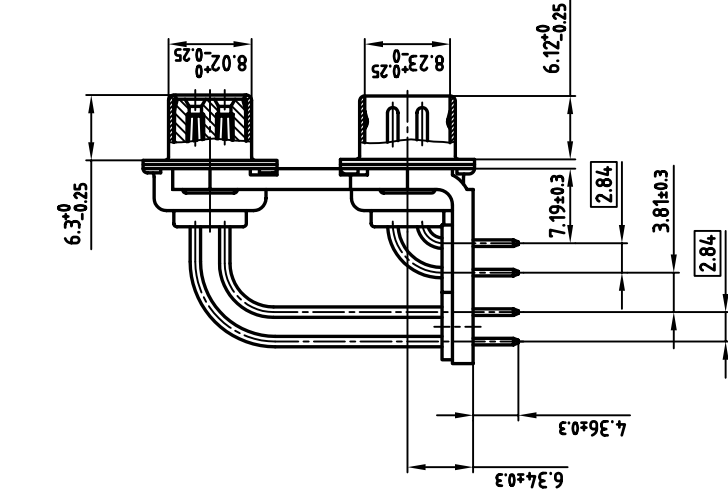
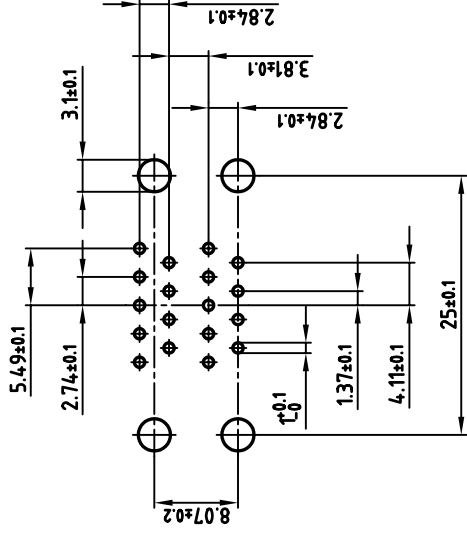


used for: D-SUB Dual-Port

P.C.B. HOLE DRILLINGS



NOTES:

1. METALSHELLS: STEEL; min. 320µ" TIN
2. INSULATORS: PBT GF UL 94 V-0, BLACK
3. CONTACTS: COPPER ALLOY
4. PLATING: min. 8µ" HARD GOLD OVER min. 50µ" NICKEL
5. METAL BRACKET: STEEL; min. 320µ" TIN over 80µ" NICKEL
6. THREADED INSERT: COPPER ALLOY; min. 200µ" TIN over 80µ" NICKEL
7. MAXIMUM TORQUE VALUE FOR THREAD: 6" LBS
8. = CRITICAL DIMENSION: SPC



THIS DRAWING MAY NOT BE COPIED OR REPRODUCED IN ANY WAY, AND MAY NOT BE PASSED ON TO A THIRD PARTY WITHOUT WRITTEN PERMISSION.
OWNERSHIP AND COPYRIGHT OF CONEC GMBH DO NOT ALTER CAD DRAWING BY HAND

rev.	description	date	name

2000	date	name	tolerance		scale:	2:1
drawn	25.07.	A. Mickenbecker	material:	SEE NOTES		
appd.	25.07.	E. Mickenbecker				
norm	DIN 41652					
e-old						

	title:	DUAL PORT 19.05mm Female / Male 9pos. with threaded insert
	dwg no:	16K1A046A
	AutoCAD 2000	DIN-A
		3
		sh:1/1
	product no:	164A15969X

